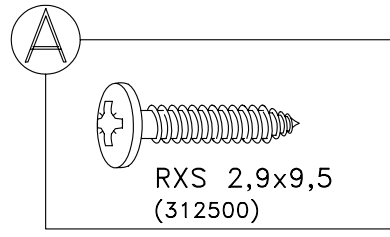
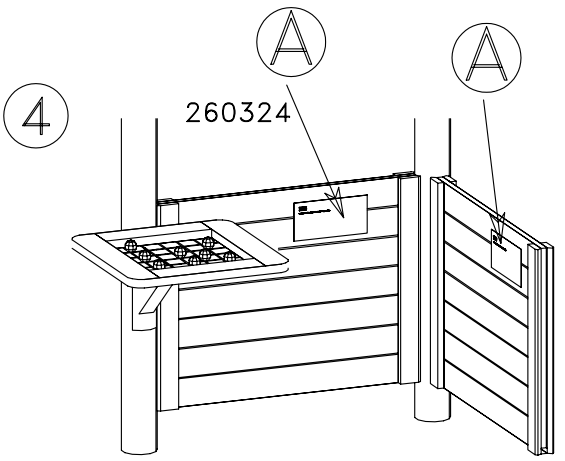
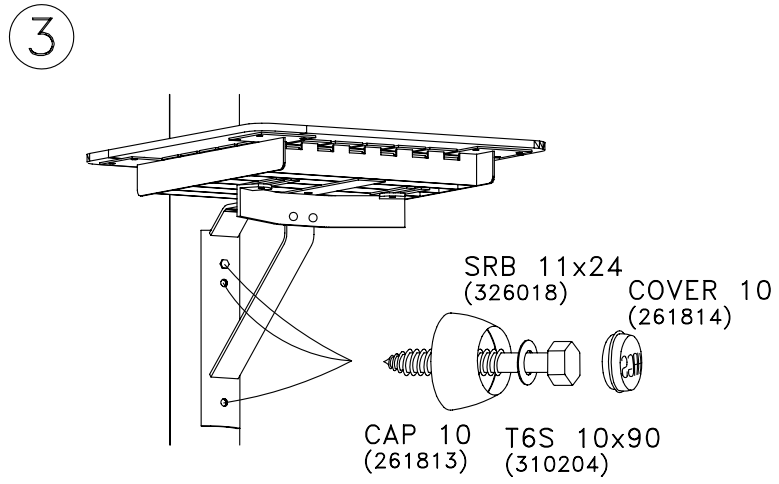
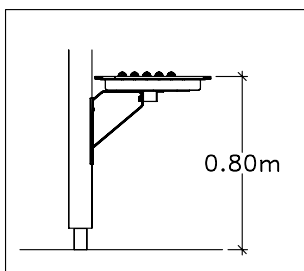
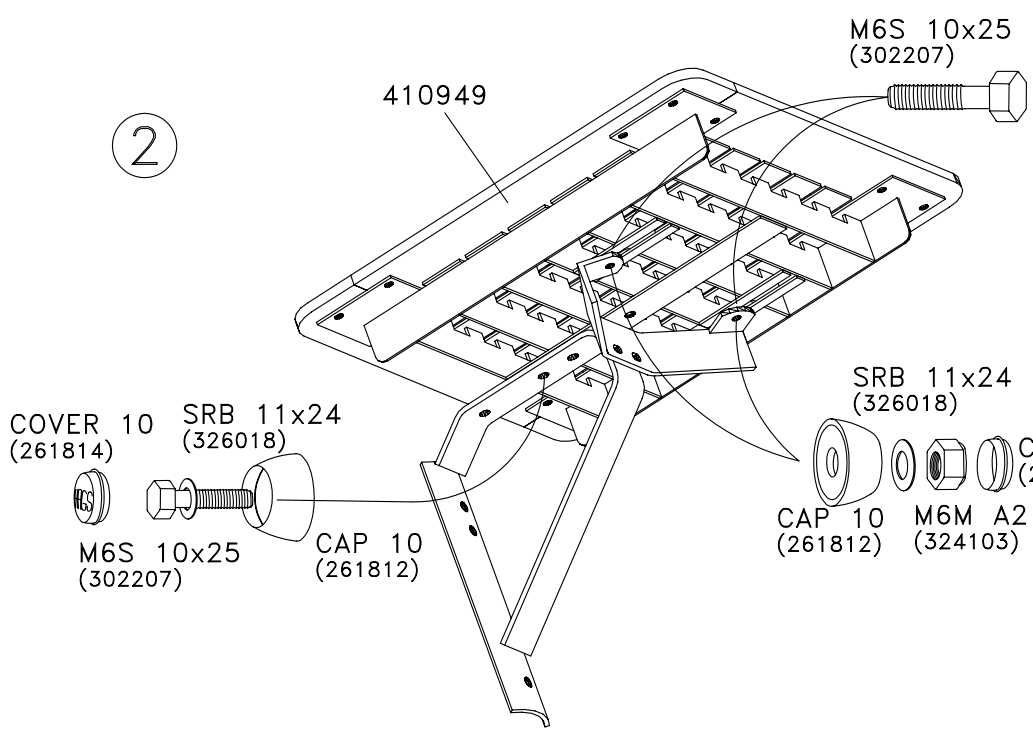


TYPE	HAGS NO.
	410949
	716121 716121-01
	716123
	260324



HAGS ANEBY, SWEDEN
+46(0)380-47300
www.hags.com

Vagabond
420 949 10
1(1)

TJ MN 2008-06-04 0