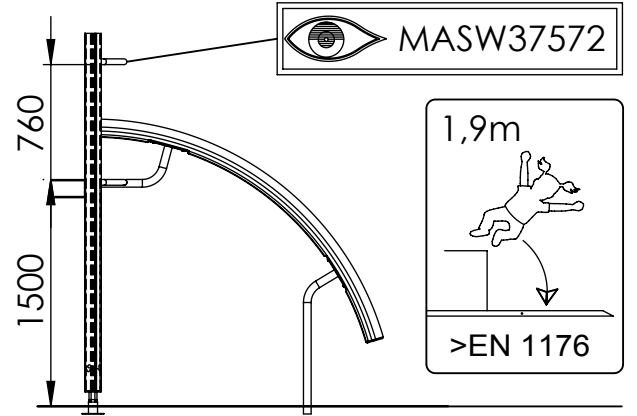
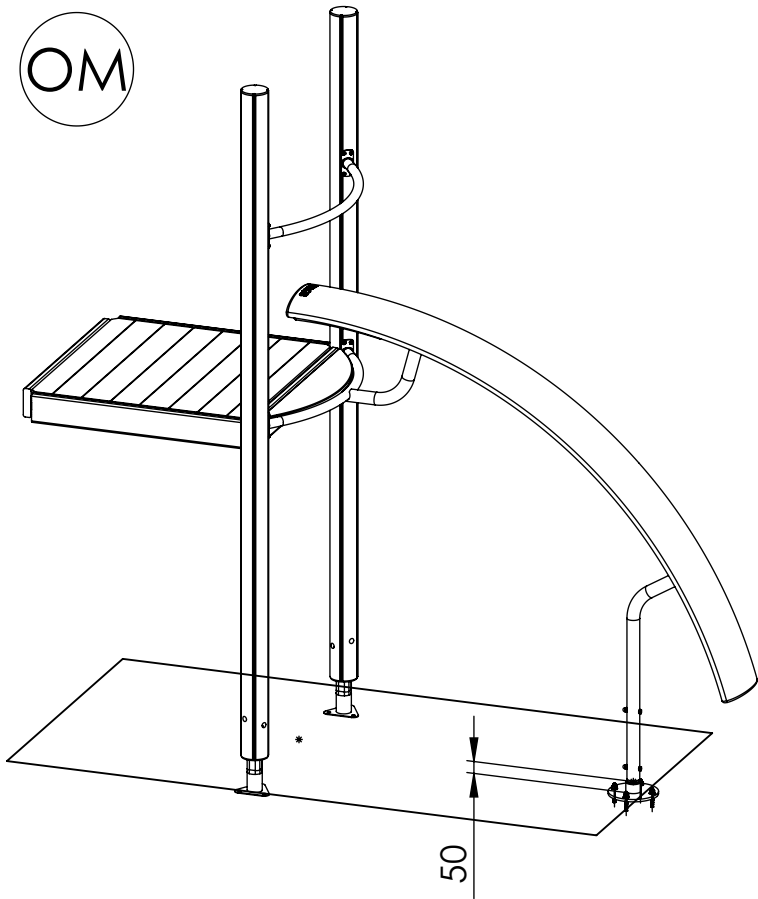
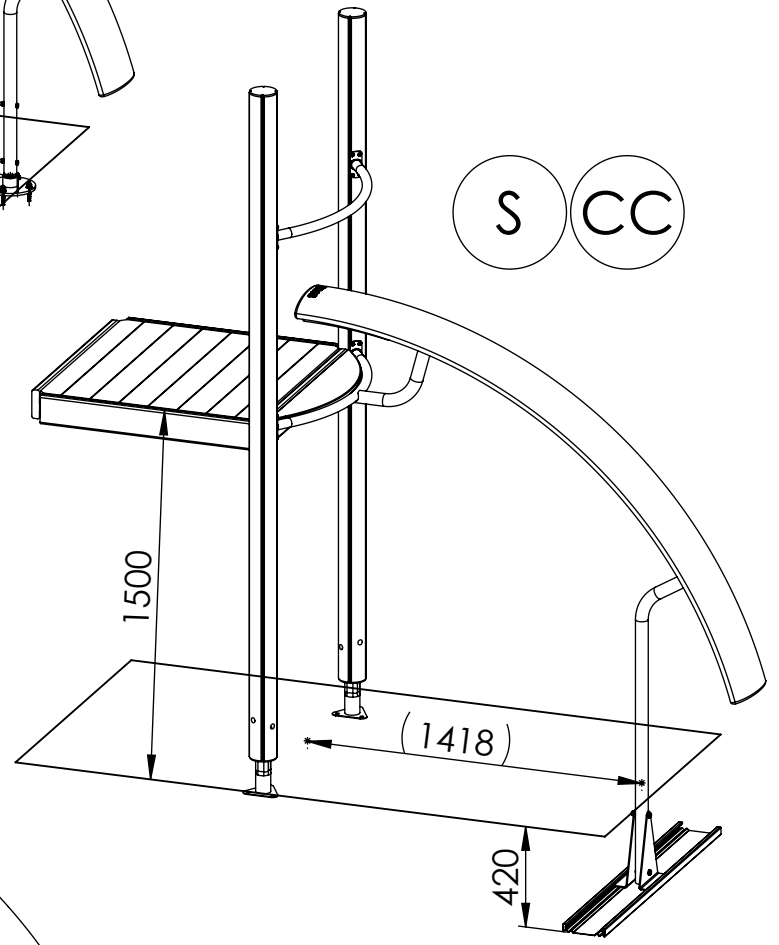


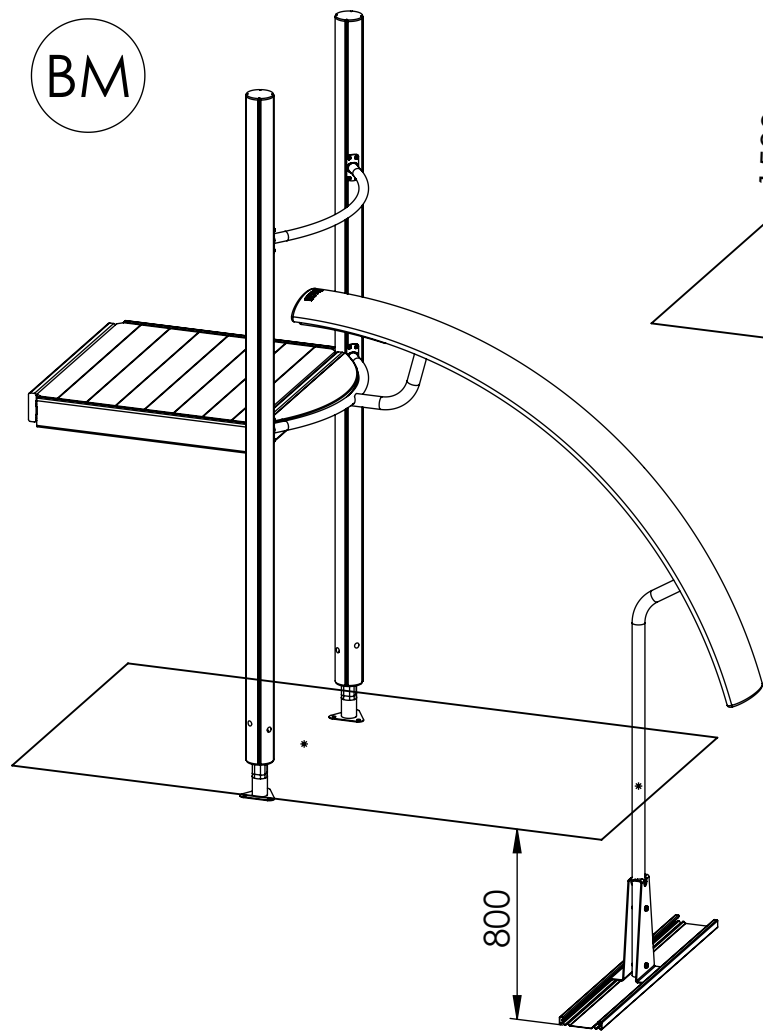
OM



S CC



BM



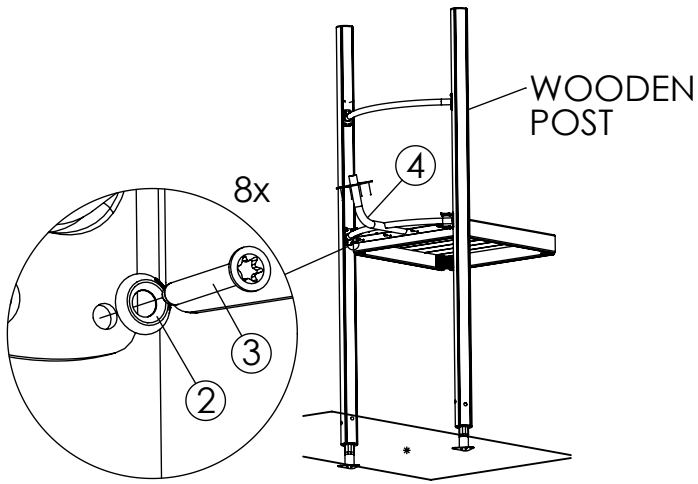
HAGS ANEBY, SWEDEN
+46(0)380-47300
www.hags.com

MASW39102
1 (6)

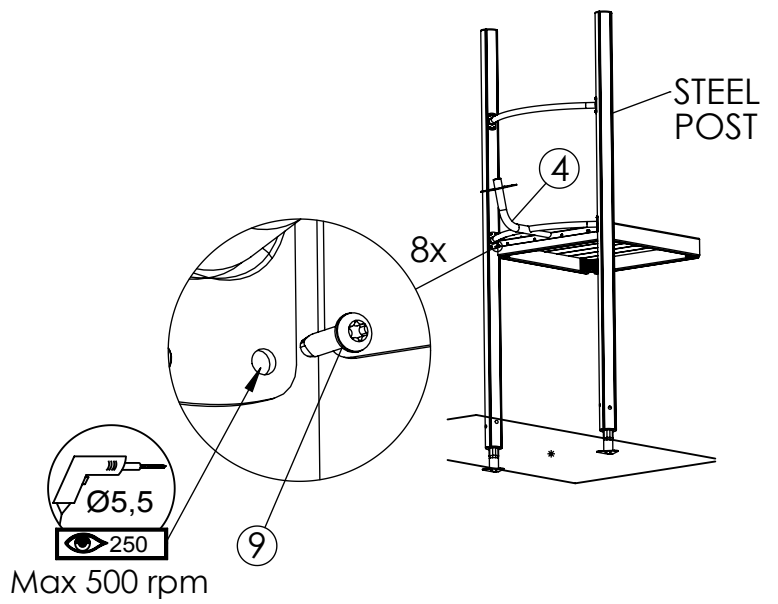
TeK ToB 2017-03-31 7

S OM BM CC

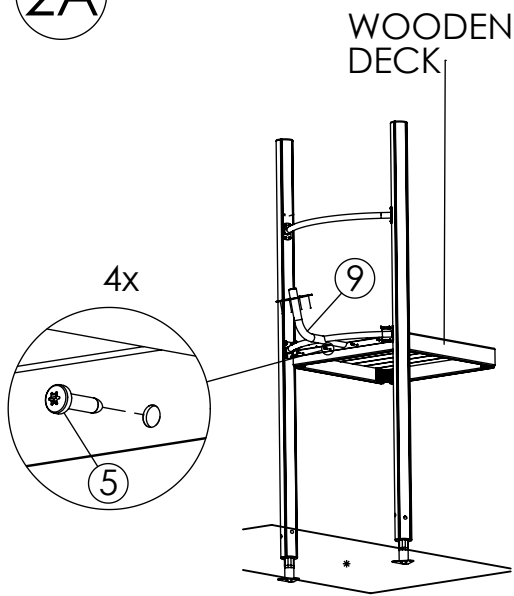
1A



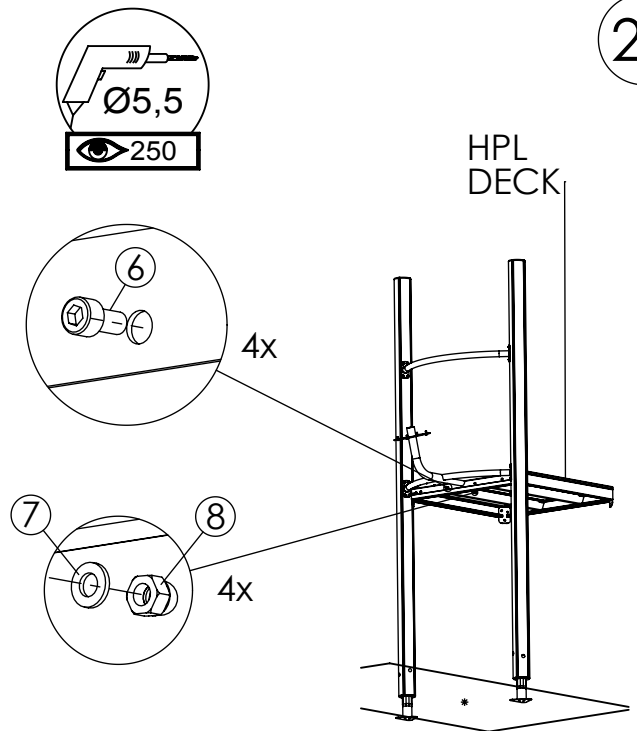
1B



2A



2B



NR.	Description MA	Item Number	QTY.
2	Ø6 16/7 x 3 mm	8035290	8
3	TKFT 6x50 mm	(8008653) 311102	8
4	948 x 620	8047818	1
5	TKT 6x25	8008696	4
6	MC6S 8.8 M6x12 FZY	302599	4
7	Ø6,4x12x1,6	8008845	4
8	Dome Nut M6	321048	4
9	Screw, thr-forming M6x25-8.8-(ISO7380)	8027762	8

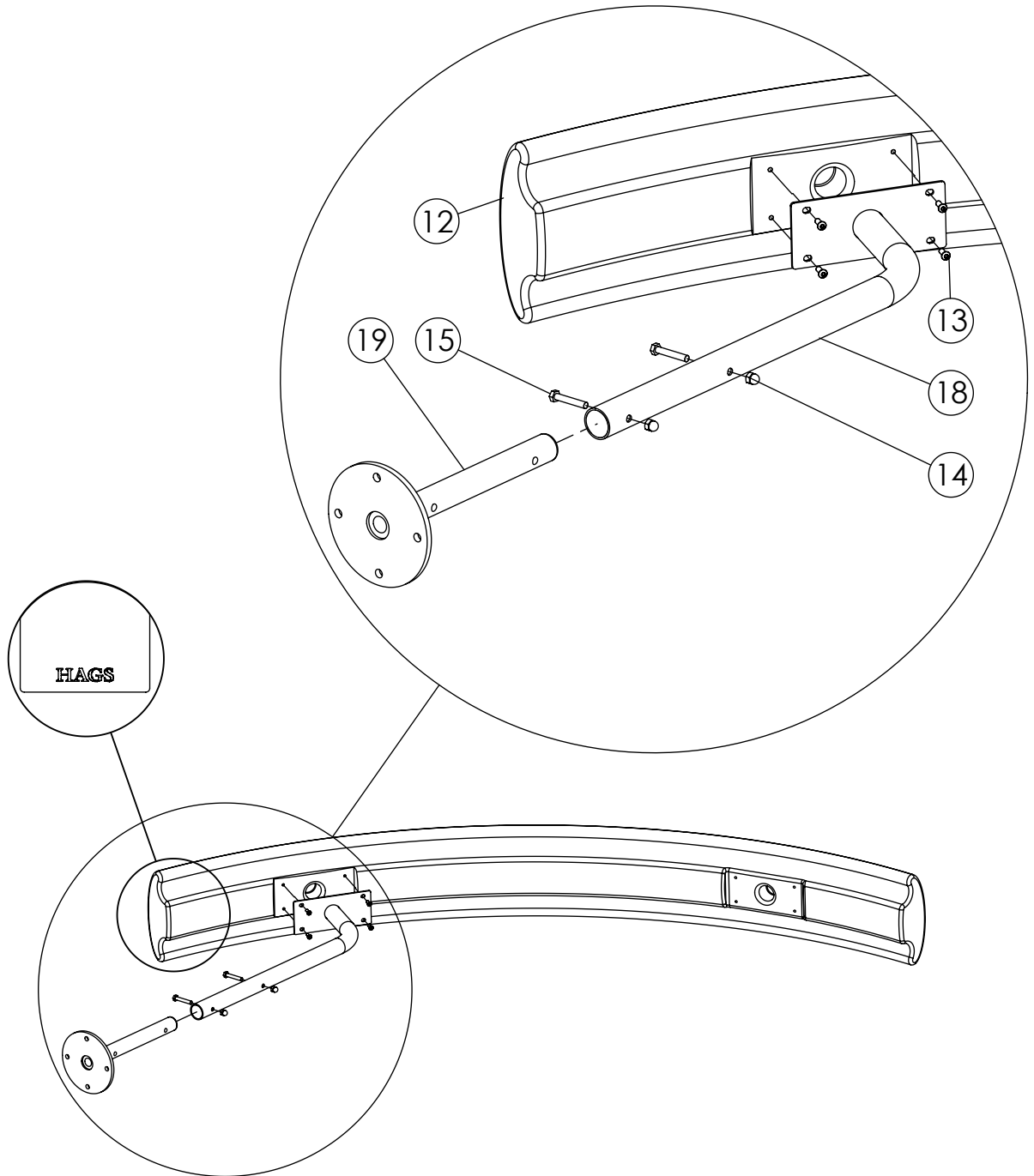
HAGS ANEBY, SWEDEN
+46(0)380-47300
www.hags.com

MASW39102
2 (6)

TeK ToB 2017-03-31 7

OM

3

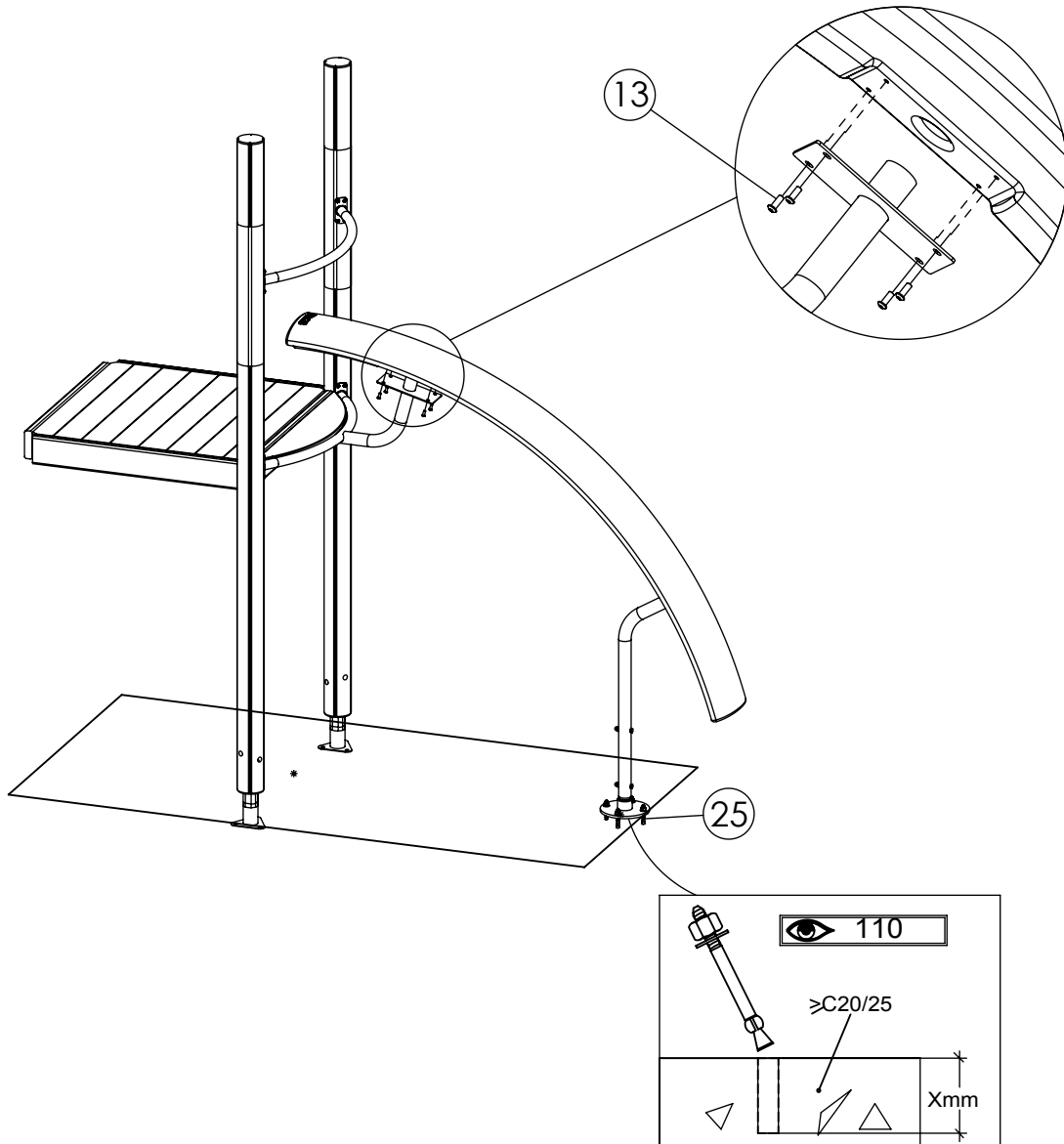


NR.	Description MA	Item Number	Qty
12	2402 x 298	8046186	1
13	MK6S 10.9 M8x20	302500	8
14	KN M10 mm	321050	2
15	M10x60	8008383	2
18	797 x 701	8048997	1
19	Ø44 205mm	8048994	1

HAGS	ANEBY, SWEDEN +46(0)380- 47300 www.hags.com
	MASW39102 3 (6)
Tek ToB	2017-03-31 7

OM

4

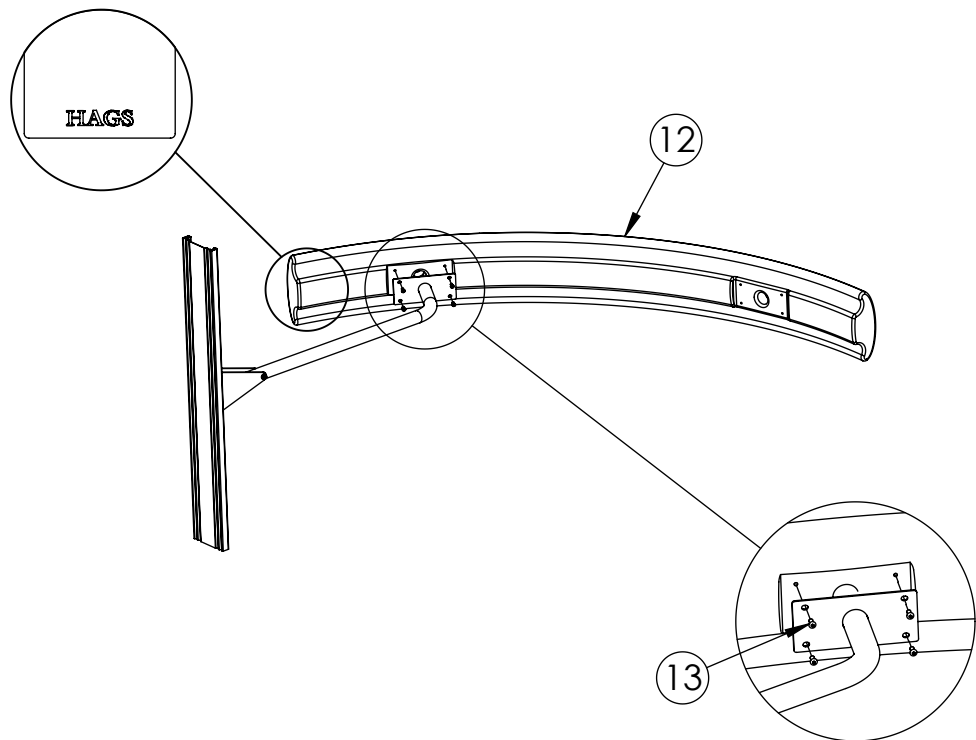
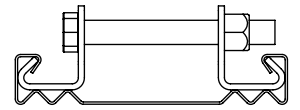
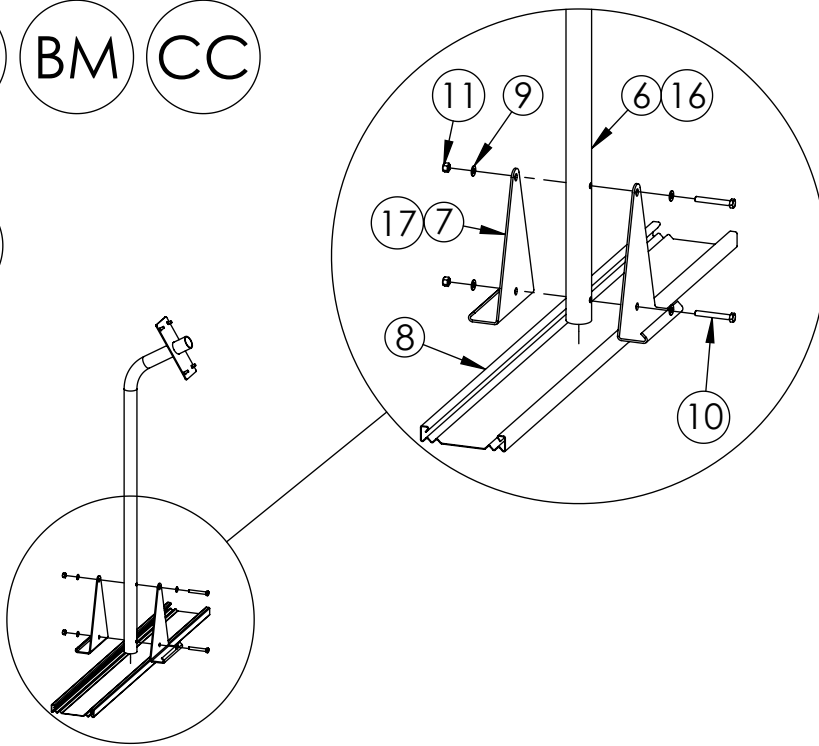


NR.	Description MA	Item Number	Qty
13	MK6S 10.9 M8x20	302500	8
25	Wedge anchor M12x80	8008559	4

HAGS		ANEBY, SWEDEN +46(0)380- 47300 www.hags.com	
MASW39102			
4 (6)			
	Tek		ToB
			2017-03-31
			7

S BM CC

5



NR.	Description MA	Item Number	Qty
6	1166 x 923	8047825	1
7	200 x 295	8047819	2
8	1300x180	8047777	2
9	Ø11x24x2 mm	8008850	8
10	M10x75	8008386	2
11	M6M M10	8008796 (324103)	4
12	2402 x 298	8046186	1
13	MK6S 10.9 M8x20	302500	8
16	1490 x 1117	8048989	1
17	408 x 200	8048985	2

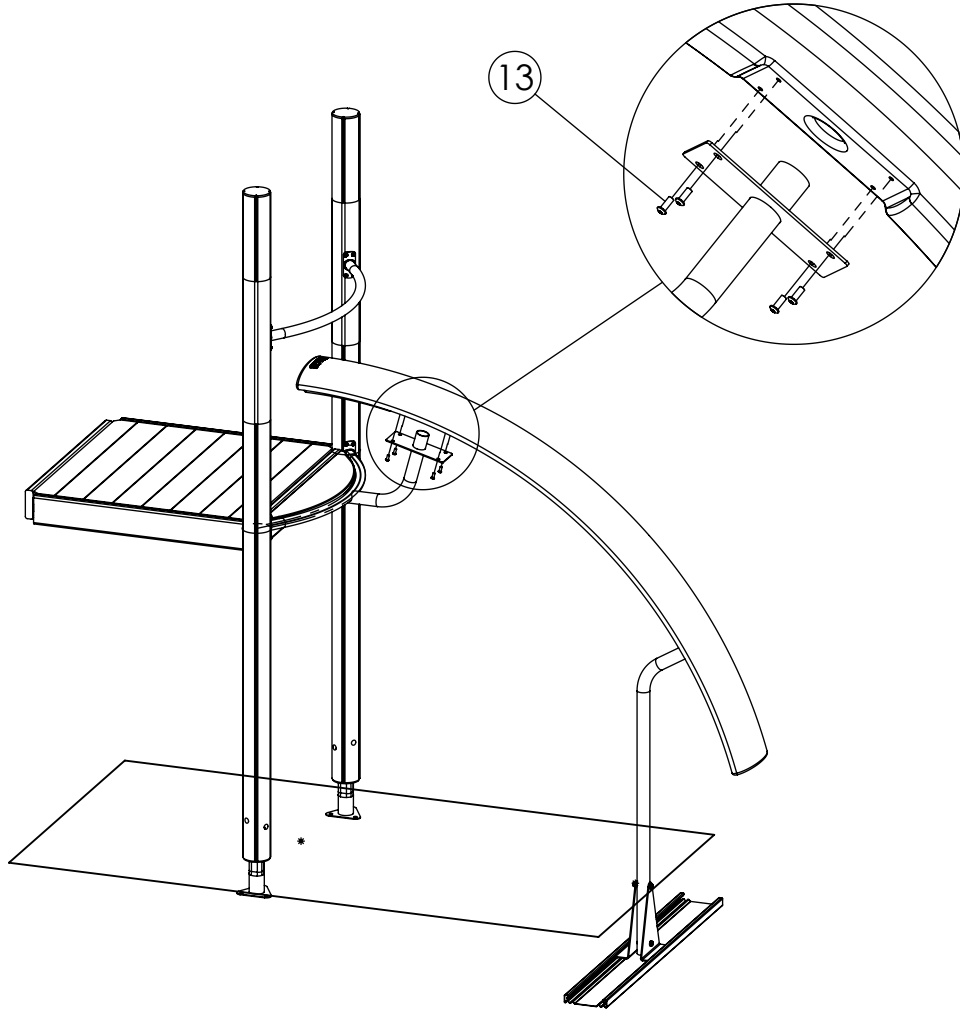
HAGS ANEBY, SWEDEN
+46(0)380-47300
www.hags.com

MASW39102
5 (6)

Tek ToB 2017-03-31 7

S BM CC

6



HAGS		ANEBY, SWEDEN +46(0)380- 47300 www.hags.com	
MASW39102			
6 (6)			
2017-03-31	7		

NR.	Description MA	Item Number	Qty
13	MK6S 10.9 M8x20	302500	4