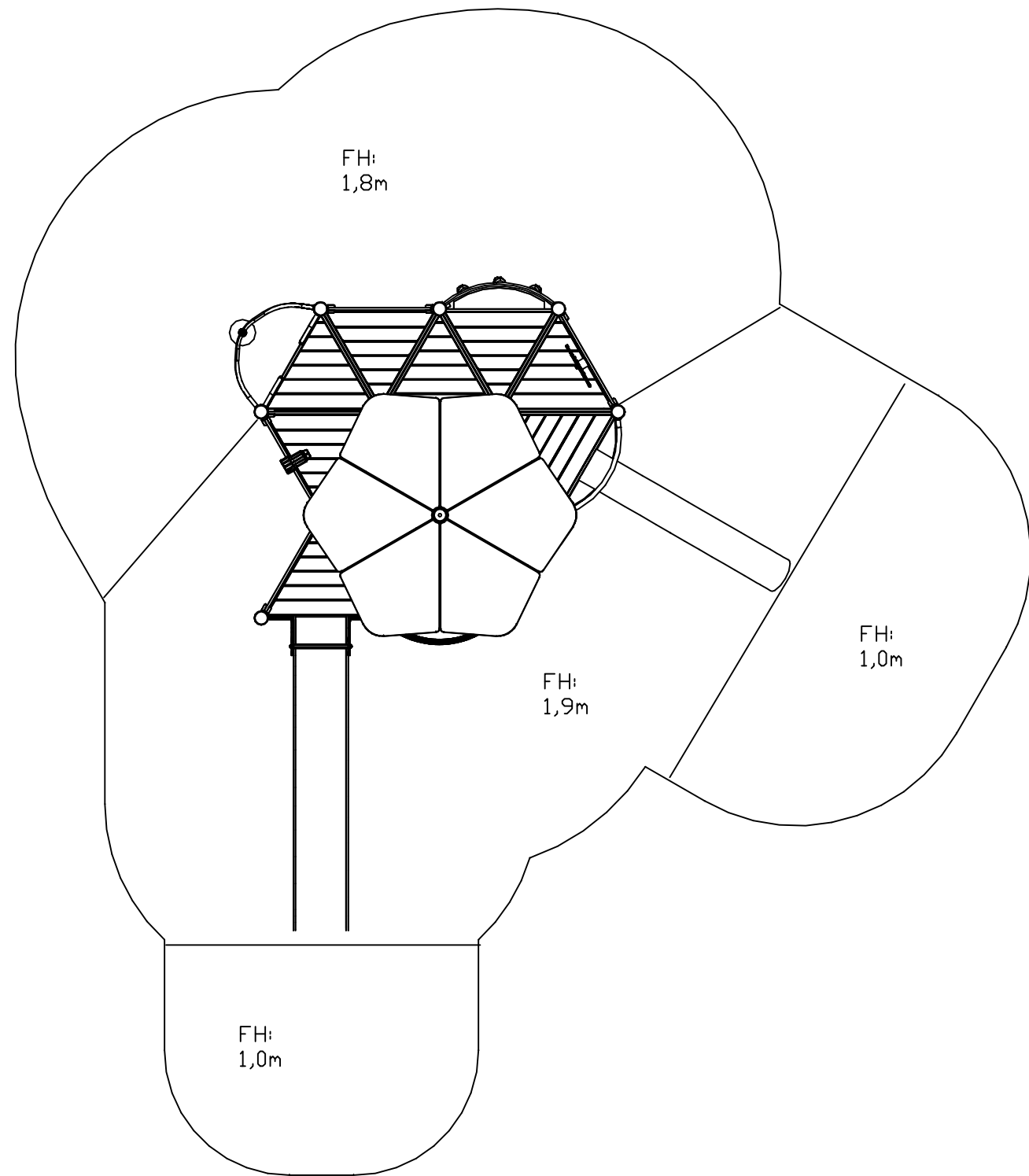
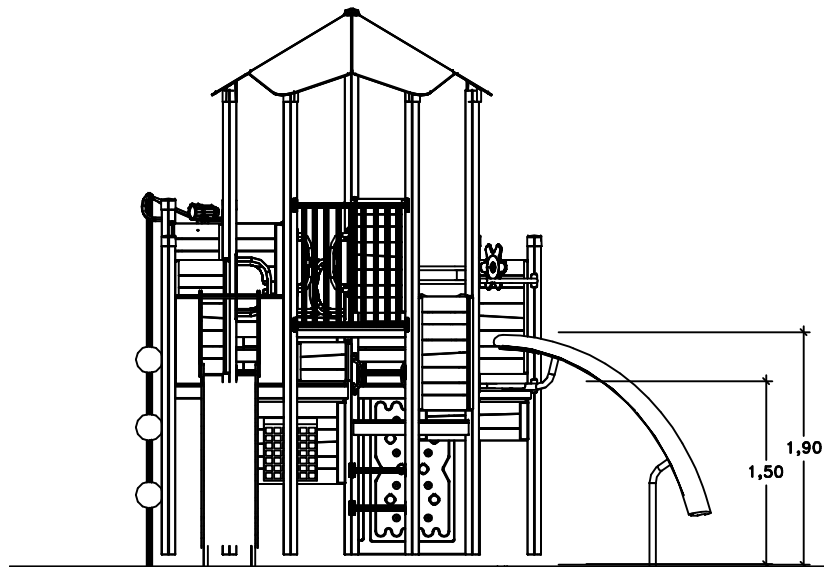
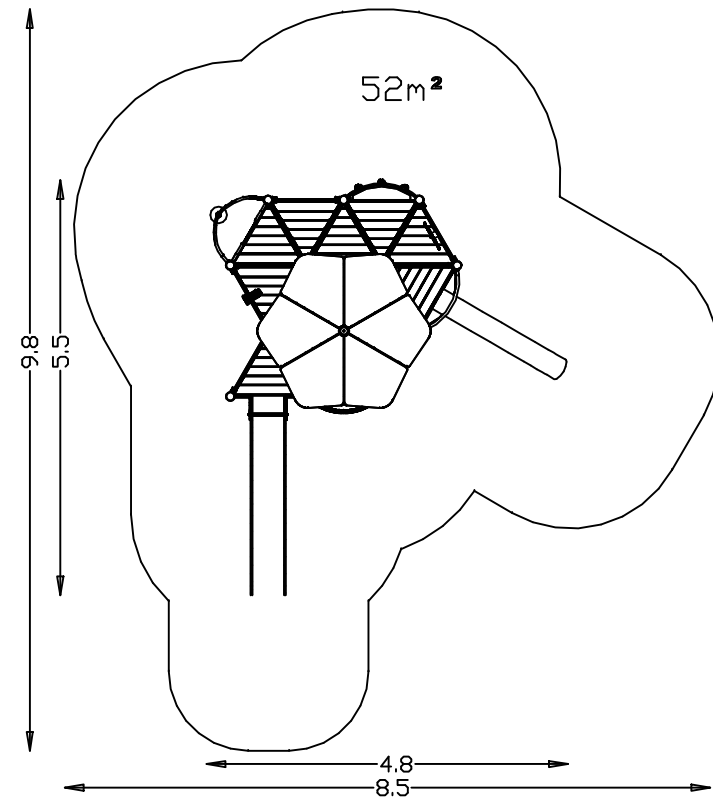


UniPlay Karro



41h



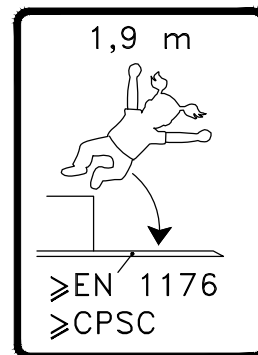
Varje vecka
Every week
Jede woche
Chaque semaine



Varje säsong
Every season
Jedes Jahr
Chaque saison



5-12



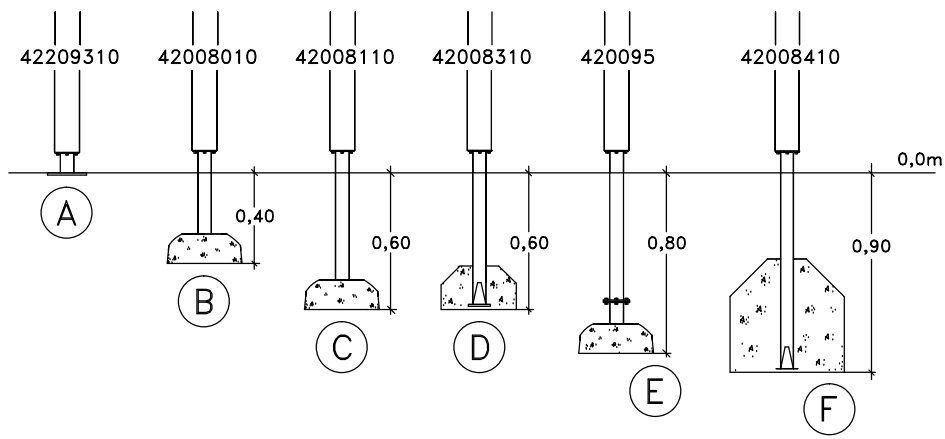
Step by Step UniPlay

SE 1(3)

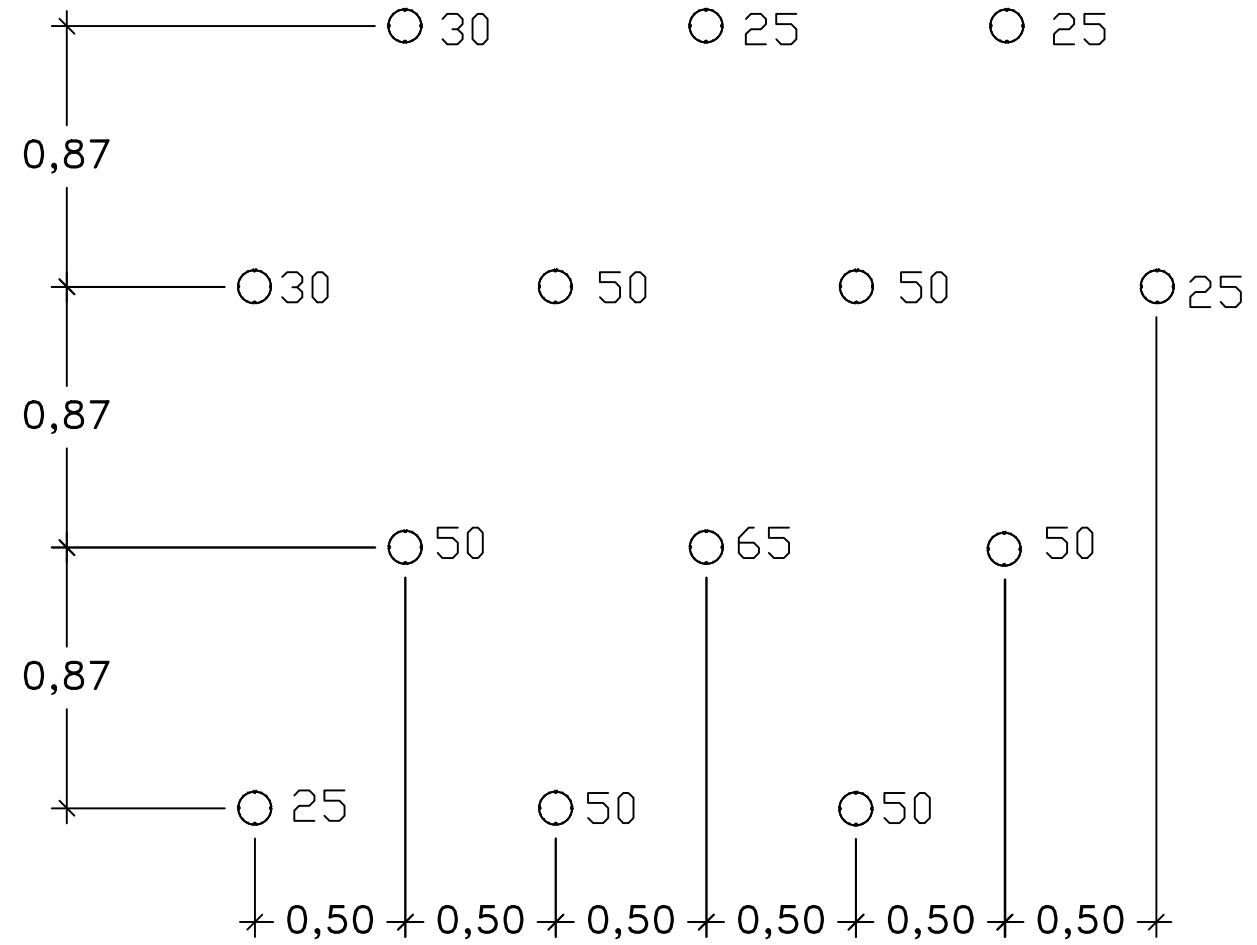
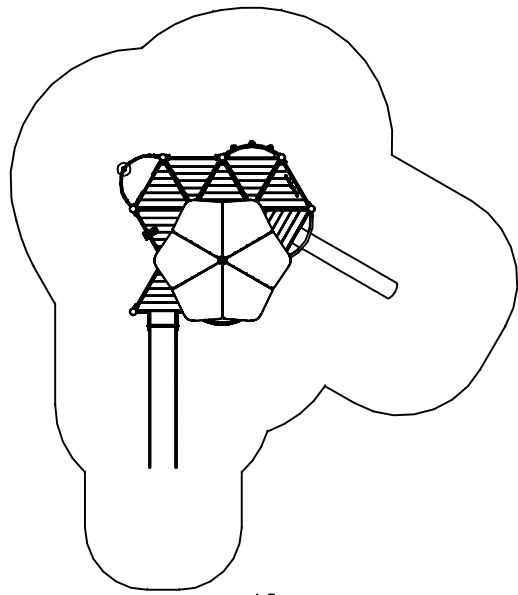
HAGS ANEBY, SWEDEN
+46(0)380-47300
www.hags.com

UniPlay Karro
8048394
1/9

EF OG 2015 01 20



- (A) 8049027, 8049131, 8049143
- (B) 8048394, 8049125, 8049141
- (D) 8049032, 8049135, 8049144
- (E) 8049041, 8049139, 8049148



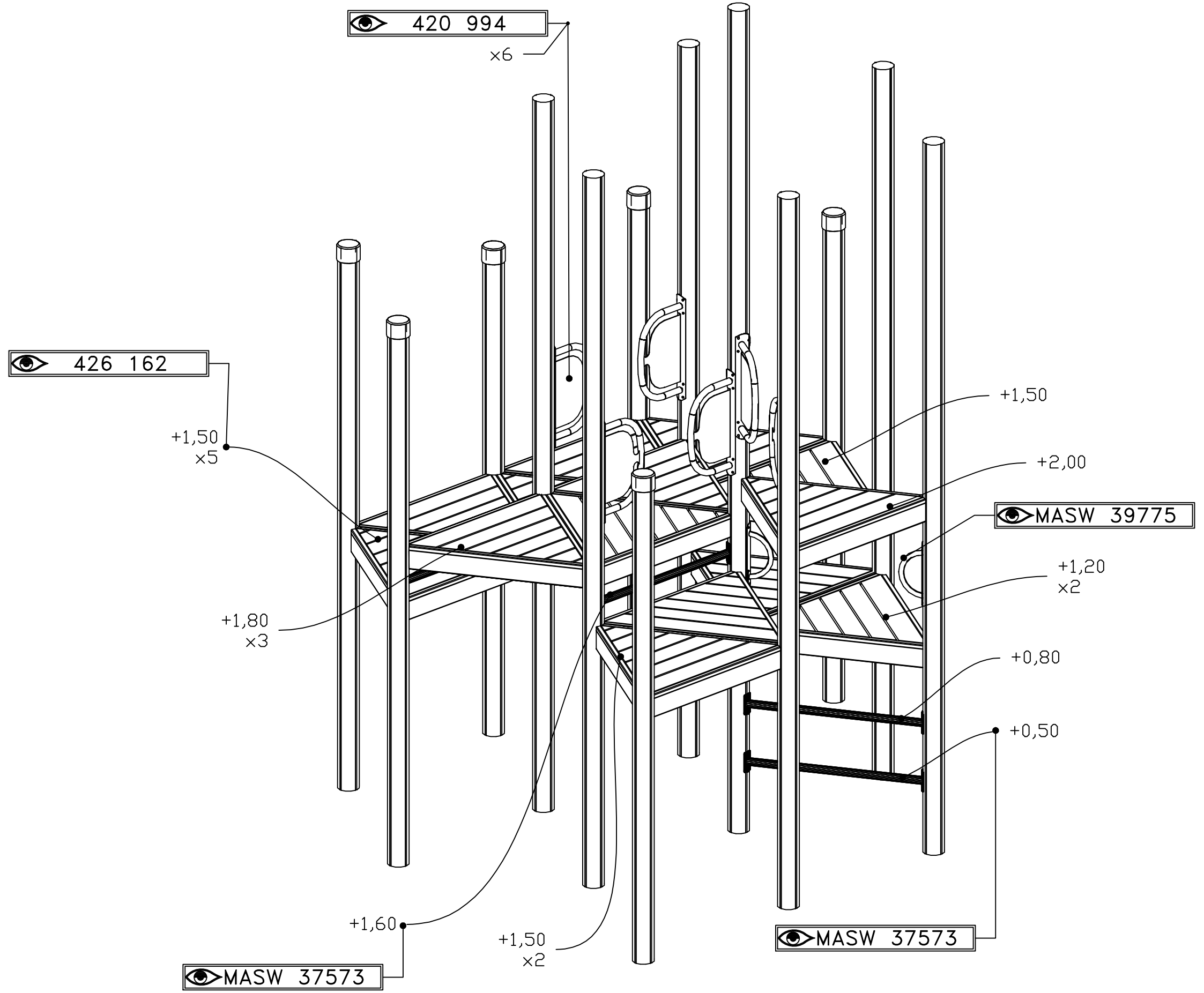
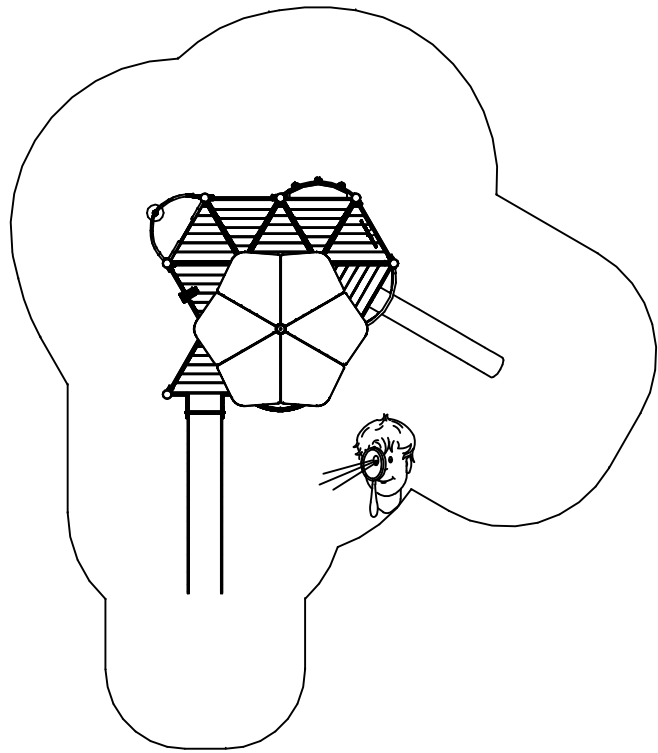
1	=	L:1550
5	=	L:1700
10	=	L:2000
15	=	L:2300
20	=	L:2450
25	=	L:2600
30	=	L:2900
35	=	L:3130
40	=	L:3200
45	=	L:3500
50	=	L:3800
55	=	L:4100
60	=	L:4250
65	=	L:4400
70	=	L:4465
75	=	L:4550
80	=	L:4700
85	=	L:5000

HAGS ANEBY, SWEDEN
+46(0)380-47300
www.hags.com

UniPlay Karro
8048394
2/9

EF OG 2015 01 20

STEP 1

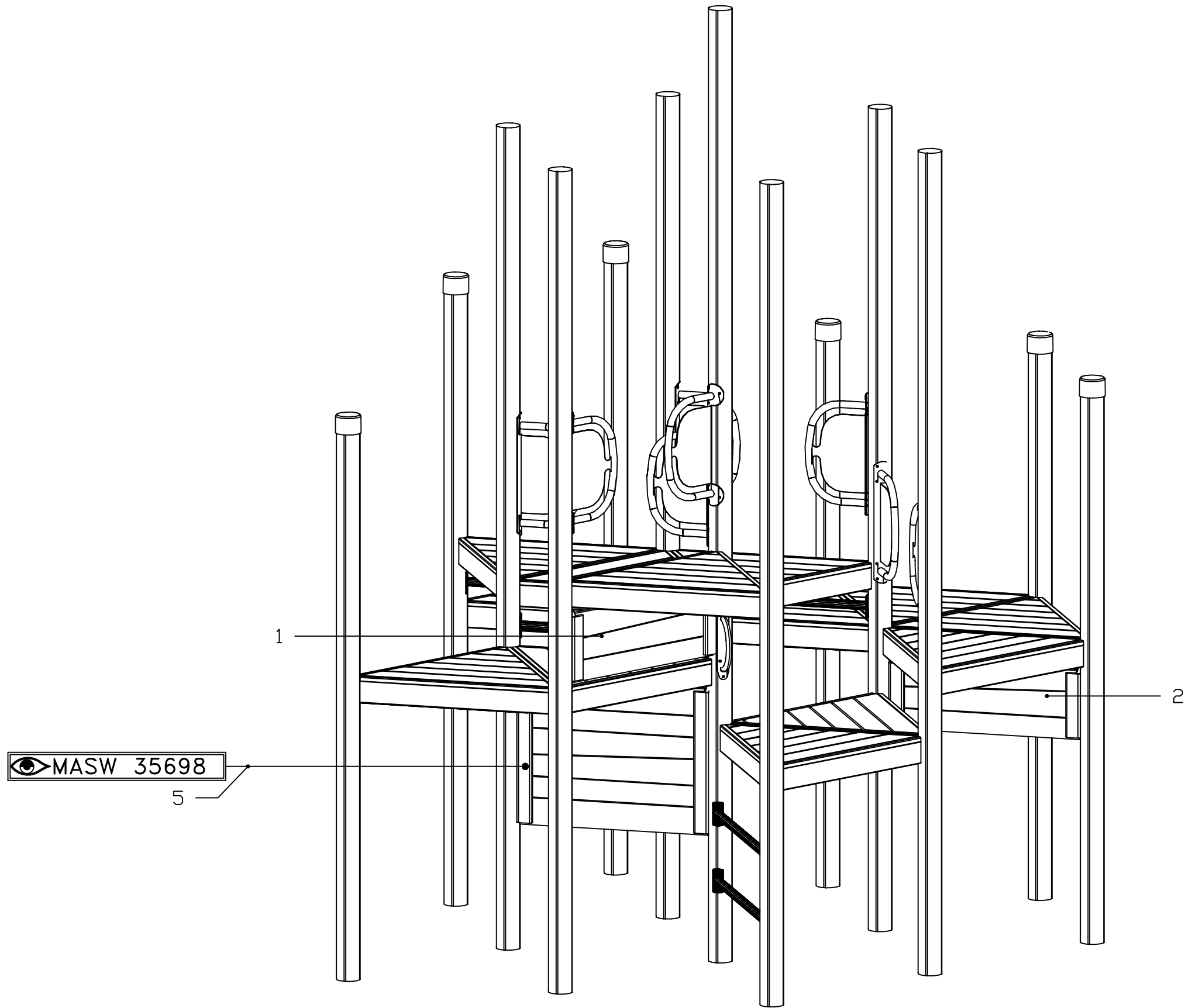
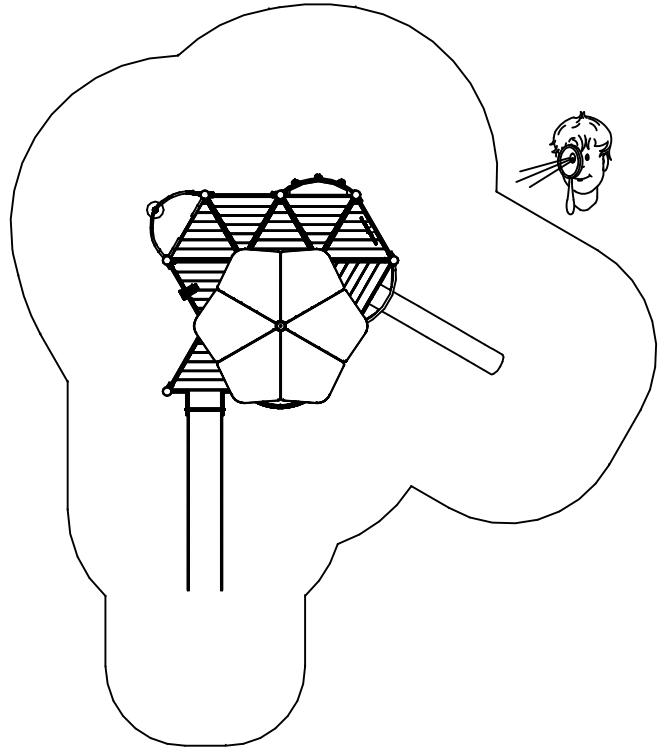


HAGS ANEBY, SWEDEN
+46(0)380-47300
www.hags.com

UniPlay Karro
8048394
3/9

EF OG 2015 01 20





STEP 2



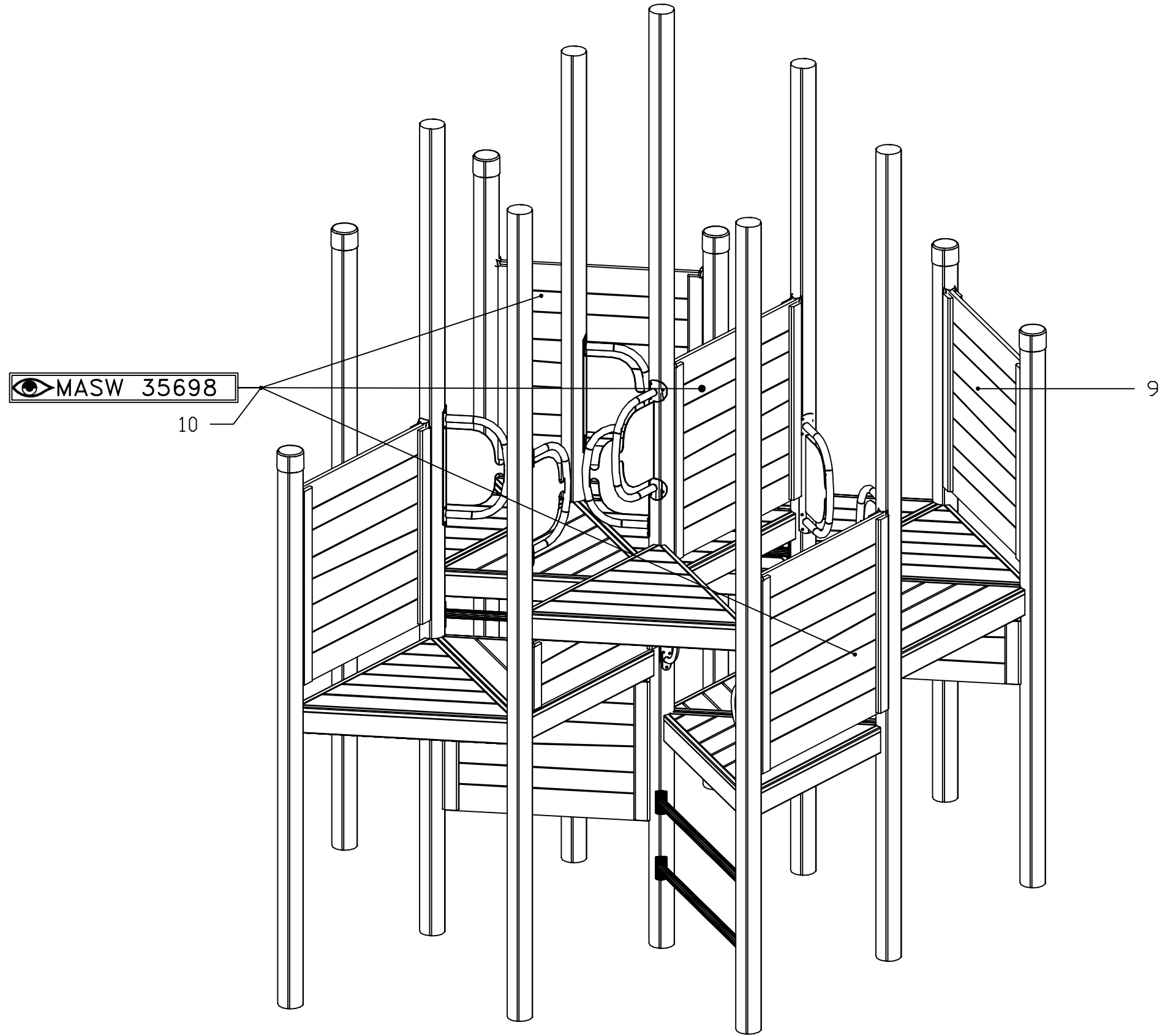
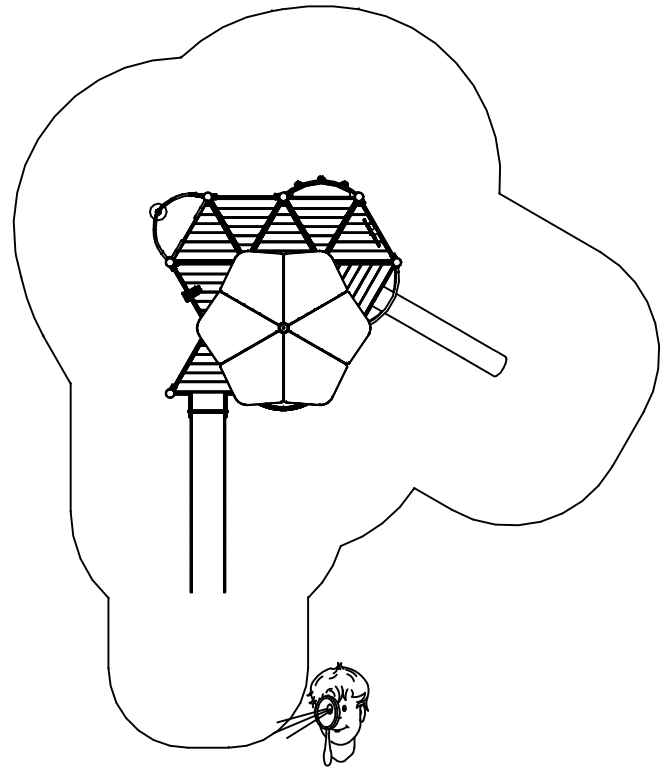
 MASW 35698
5

HAGS ANEBY, SWEDEN
+46(0)380-47300
www.hags.com

UniPlay Karro
8048394
4/9

    2015 01 20

STEP 3

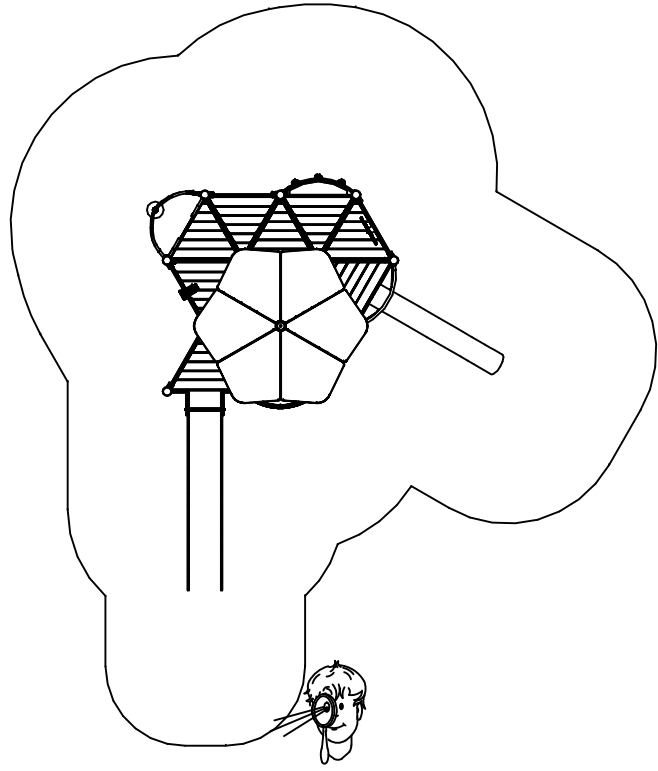


HAGS ANEBY, SWEDEN
+46(0)380-47300
www.hags.com

UniPlay Karro
8048394
5/9

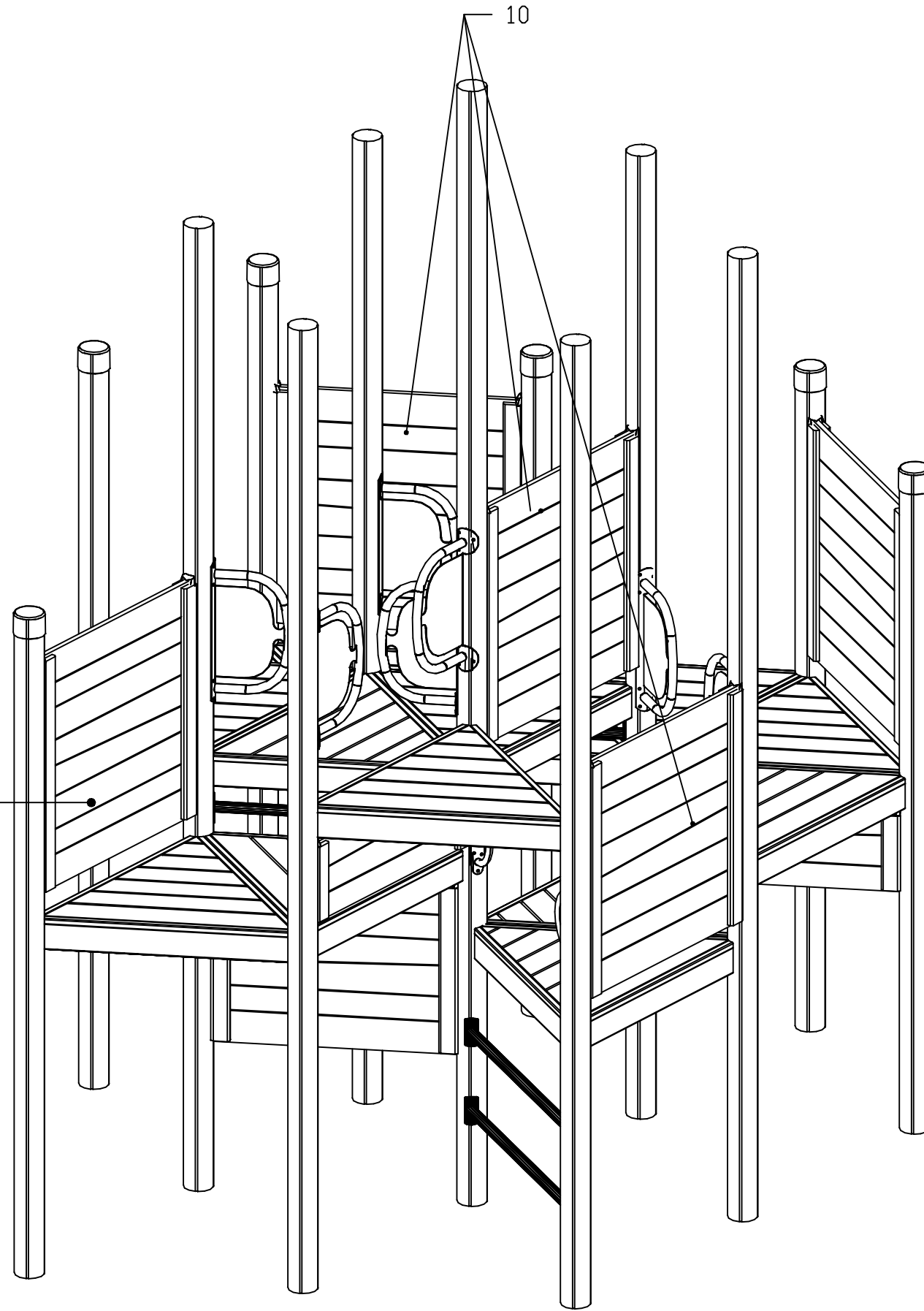
EF OG 2015 01 20



STEP 4



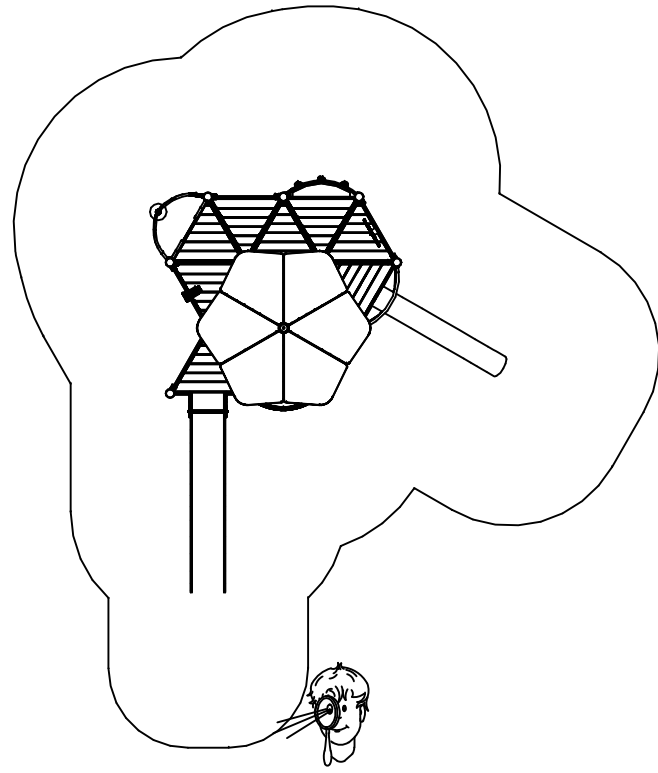
 MASW 35698

9



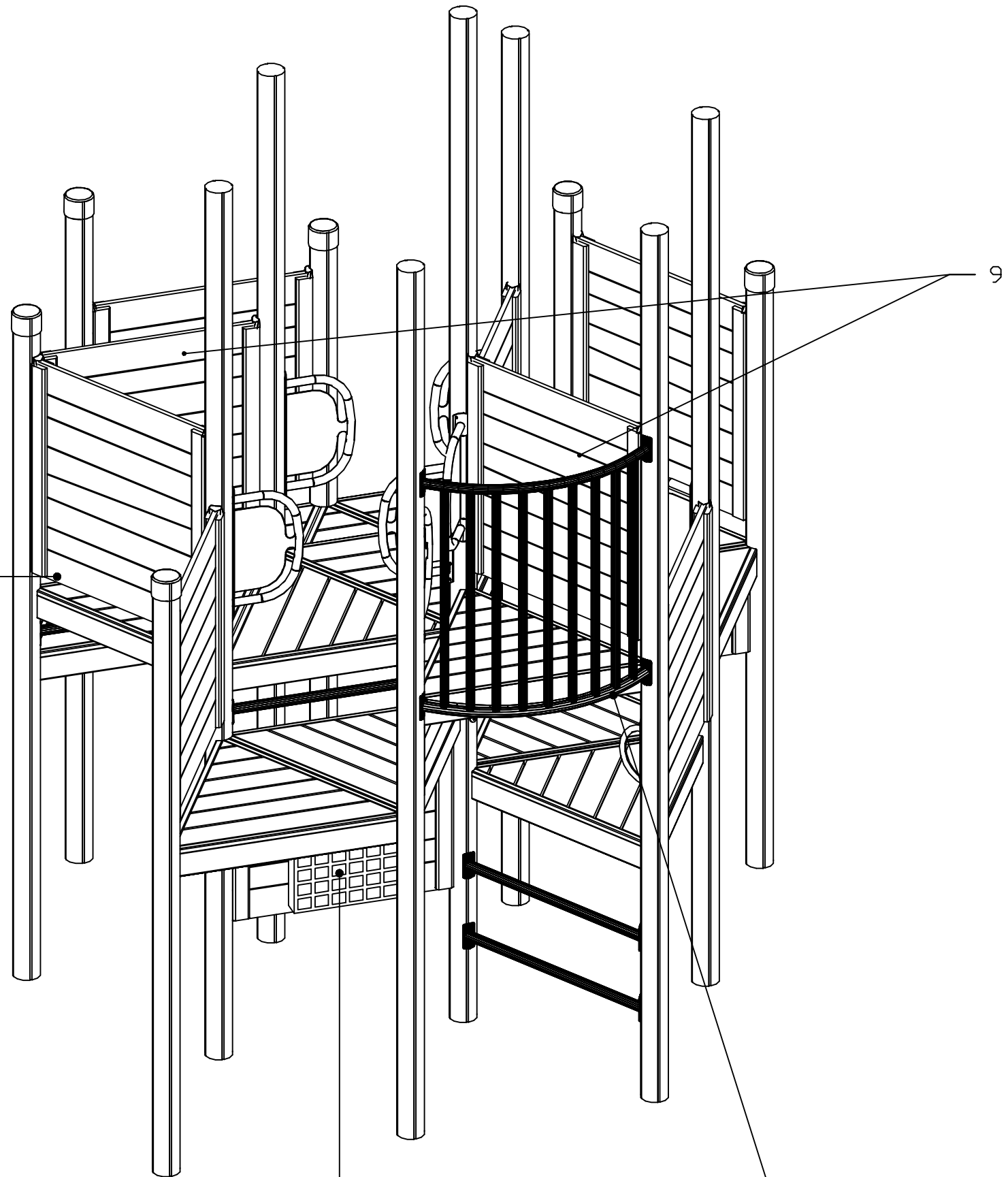
HAGS		ANEBY, SWEDEN	
		+46(0)380-47300	
		www.hags.com	
UniPlay Karro			
8048394			
6/9			
	EF		OG 2015 01 20

STEP 5



👁 MASW 35698

10

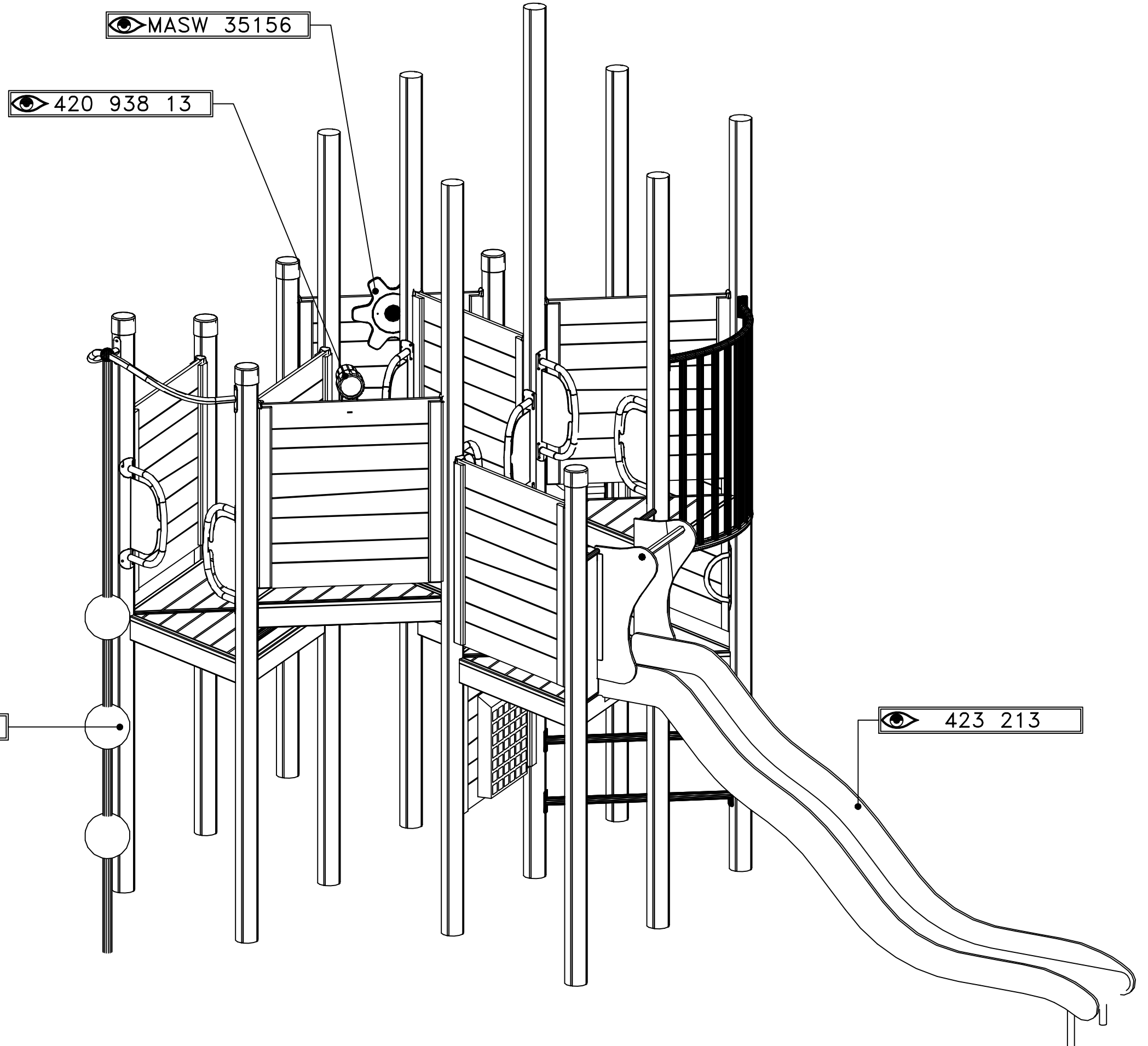
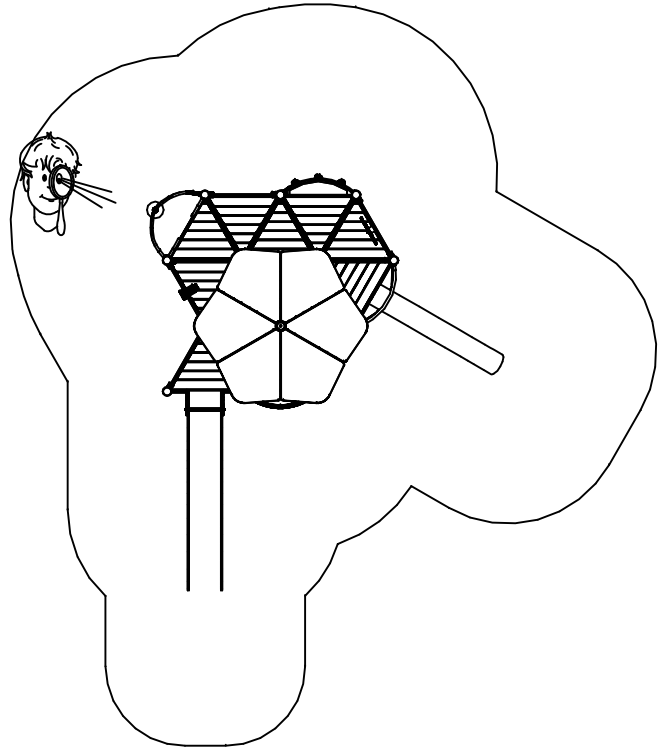


👁 420 960

👁 MASW 34156

HAGS	ANEBY, SWEDEN +46(0)380-47300 www.hags.com
UniPlay Karro 8048394 7/9	
🏠 EF	👁 OG
2015 01 20	

STEP 6

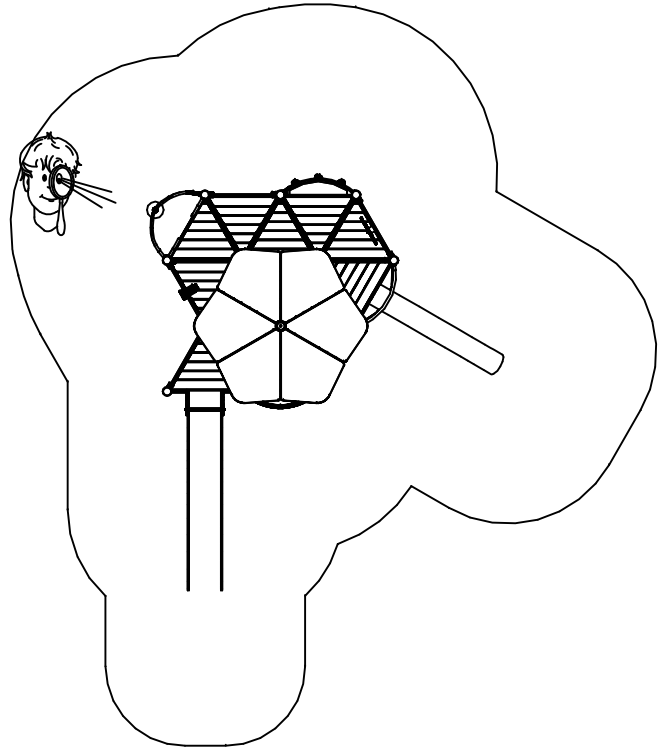


HAGS ANEBY, SWEDEN
+46(0)380-47300
www.hags.com

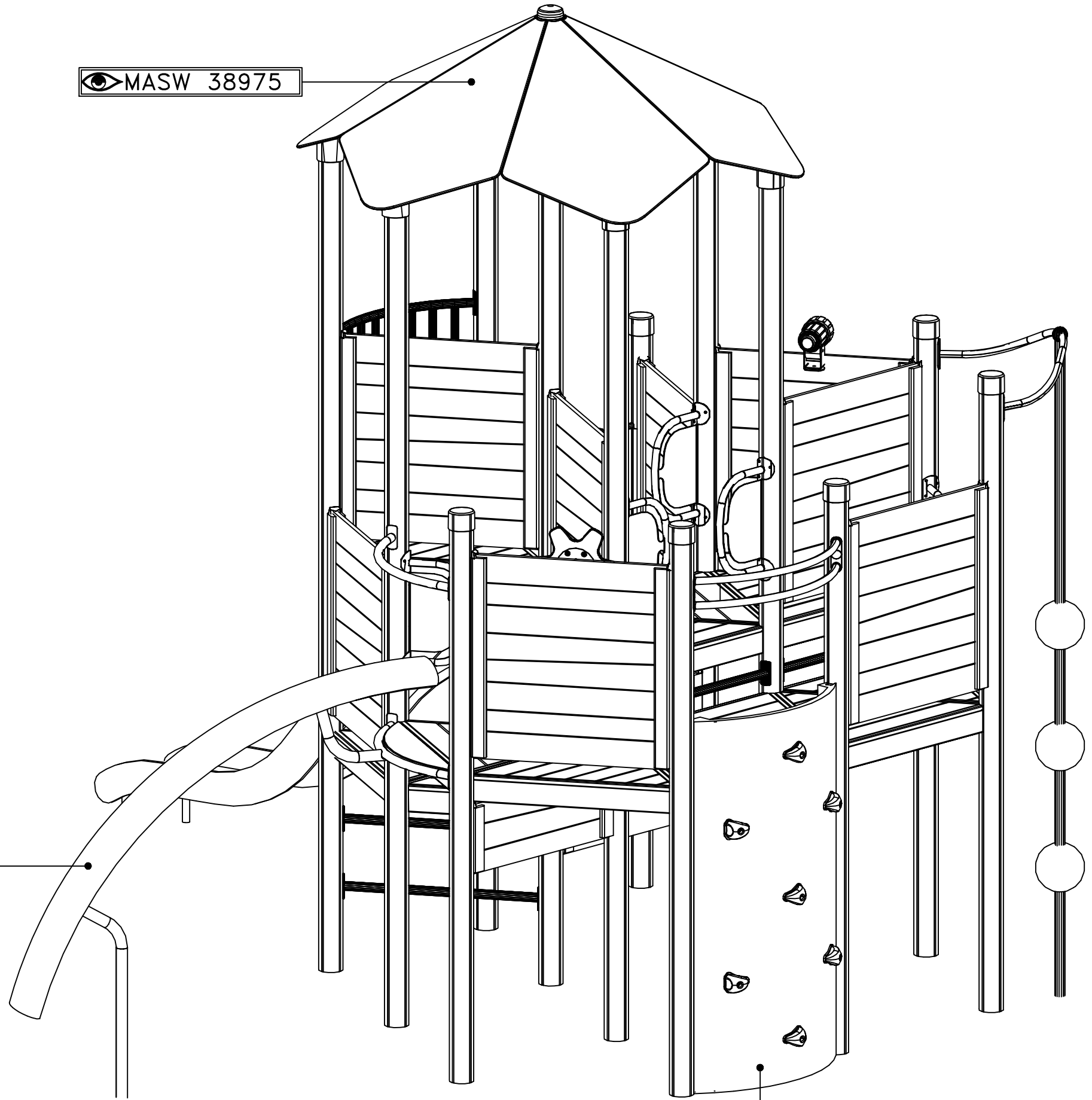
UniPlay Karro
8048394
8/9

EF OG 2015 01 20

STEP 7



👁 MASW 38975



👁 MASW 39102

👁 MASW 39686

HAGS	ANEBY, SWEDEN +46(0)380-47300 www.hags.com
UniPlay Karro 8048394 9/9	
🏠 EF	👁 OG 2015 01 20