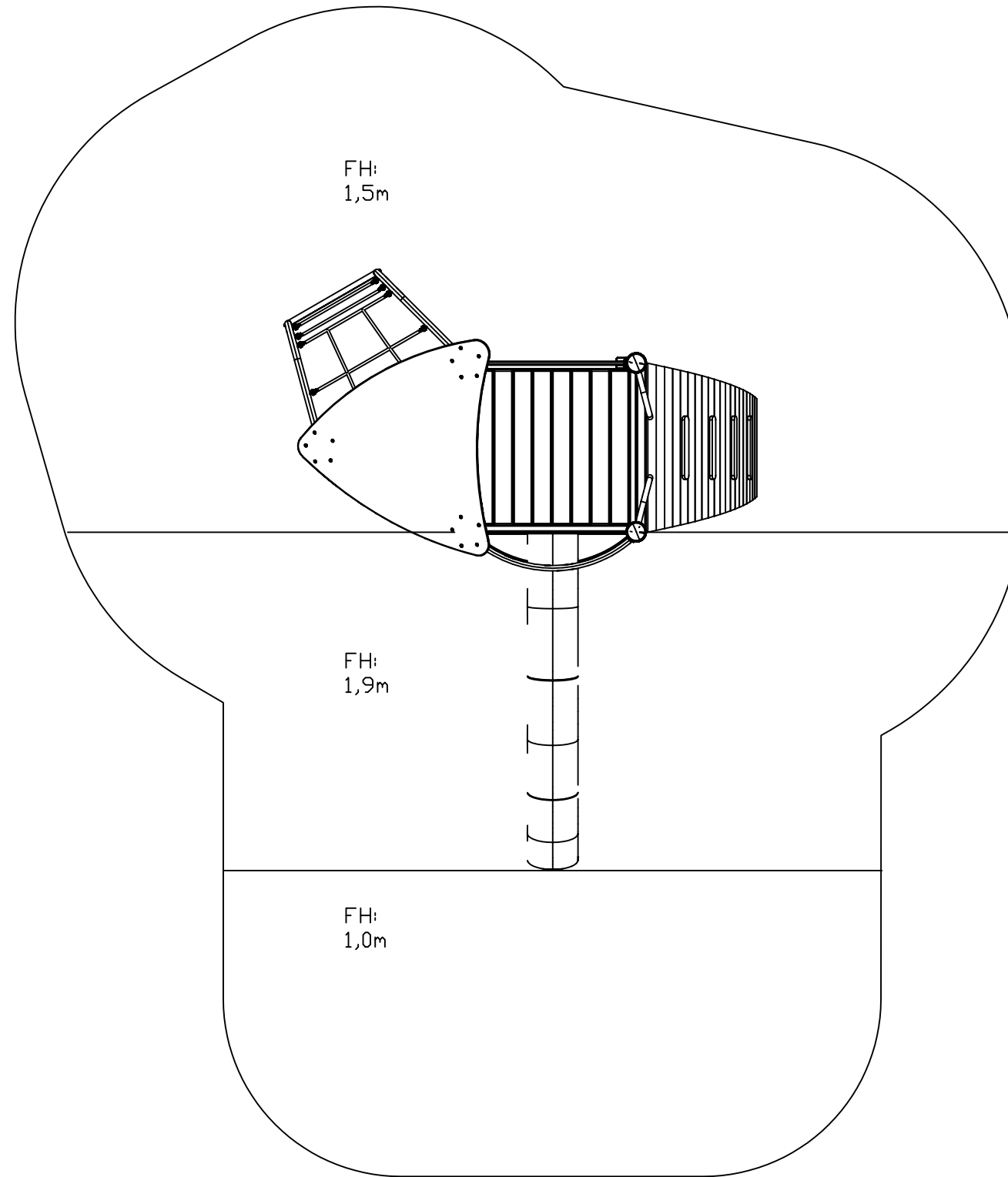
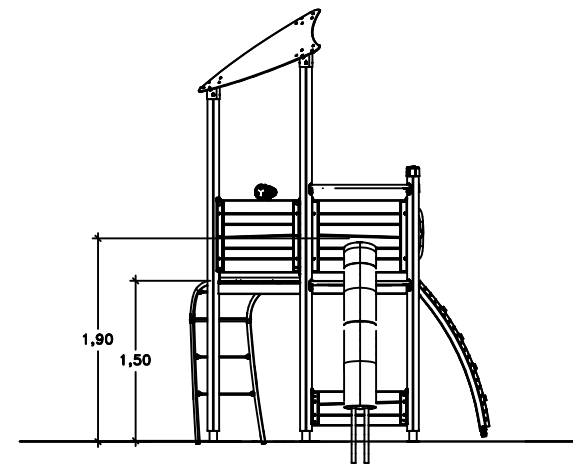
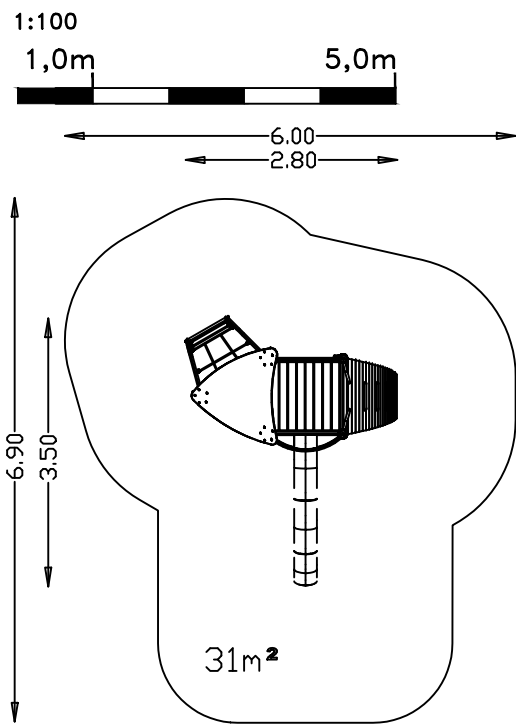


# UniPlay Gumbo



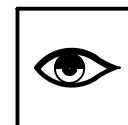
18h



Varje vecka  
Every week  
Jede woche  
Chaque semaine



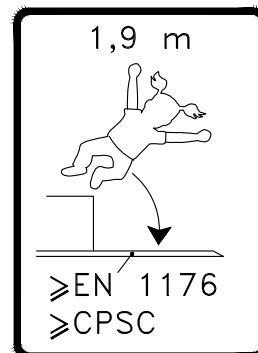
Varje säsong  
Every season  
Jedes Jahr  
Chaque saison



Step by Step UniPlay

1  
2  
3  
4  
5  
6  
7  
8  
9  
10  
11  
12  
13  
14  
15  
16  
17  
18  
19  
20  
21  
22  
23  
24  
25  
26  
27  
28  
29  
30  
31  
32  
33  
34  
35  
36  
37  
38  
39  
40  
41  
42  
43  
44  
45  
46  
47  
48  
49  
50  
51  
52  
53  
54  
55  
56  
57  
58  
59  
60  
61  
62  
63  
64  
65  
66  
67  
68  
69  
70  
71  
72  
73  
74  
75  
76  
77  
78  
79  
80  
81  
82  
83  
84  
85  
86  
87  
88  
89  
90  
91  
92  
93  
94  
95  
96  
97  
98  
99  
100

SEAGS  
Uniplay Gumbo  
8048390  
SE 10

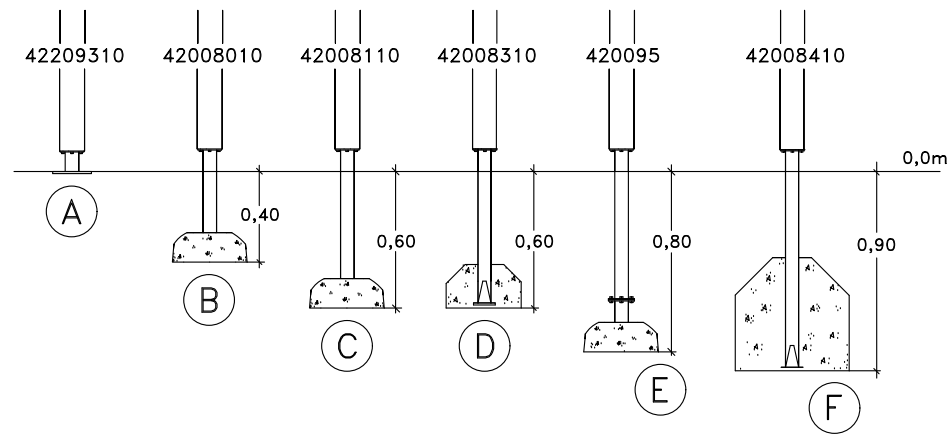


**HAGS** ANEBY, SWEDEN  
+46(0)380-47300  
www.hags.com

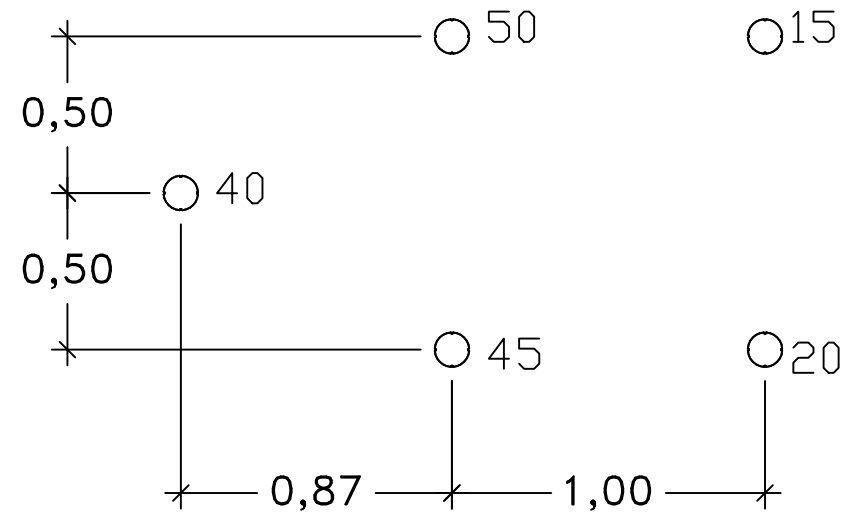
Uniplay Gumbo  
8048390  
1/5

EF - 2017-01-26 1+

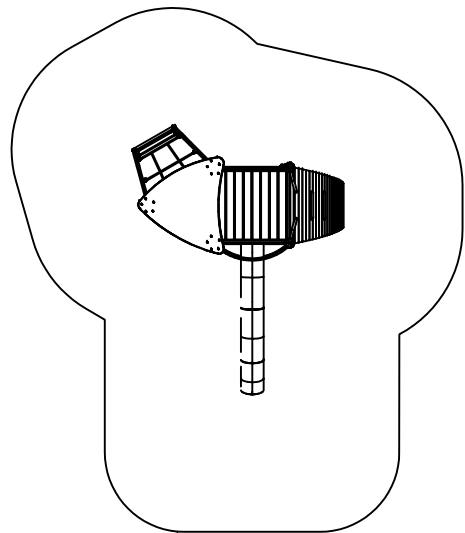
420 080 10



- (A) 8049067, 8049174, 8049181
- (B) 8048390, 8049178, 8049185
- (D) 8049069, 8049175, 8049183
- (E) 8049071, 8049176, 8049184



- 1 = L:1550
- 5 = L:1700
- 10 = L:2000
- 15 = L:2300
- 20 = L:2450
- 25 = L:2600
- 30 = L:2900
- 35 = L:3130
- 40 = L:3200
- 45 = L:3500
- 50 = L:3800
- 55 = L:4100
- 60 = L:4250
- 65 = L:4400
- 70 = L:4465
- 75 = L:4550
- 80 = L:4700
- 85 = L:5000

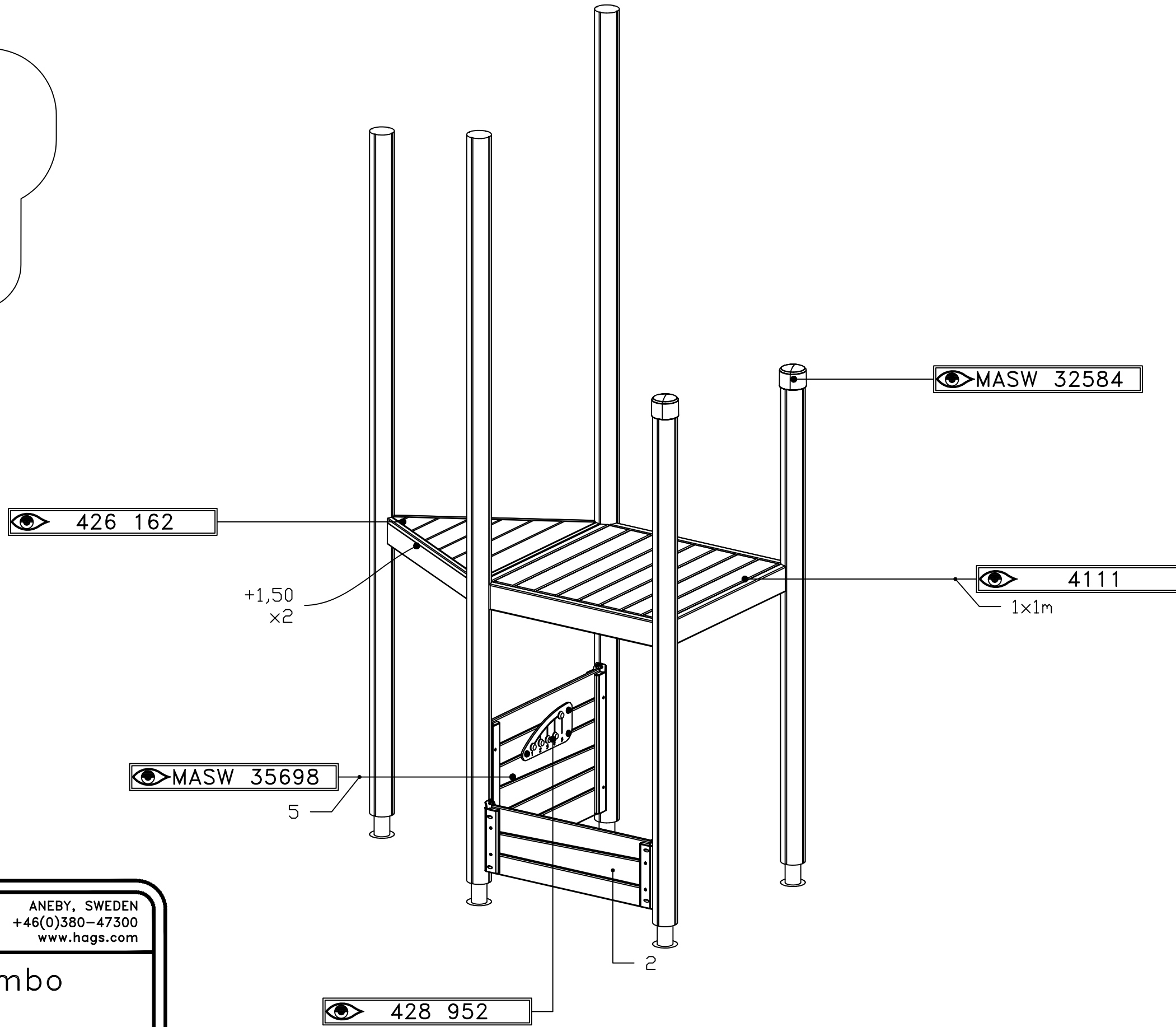
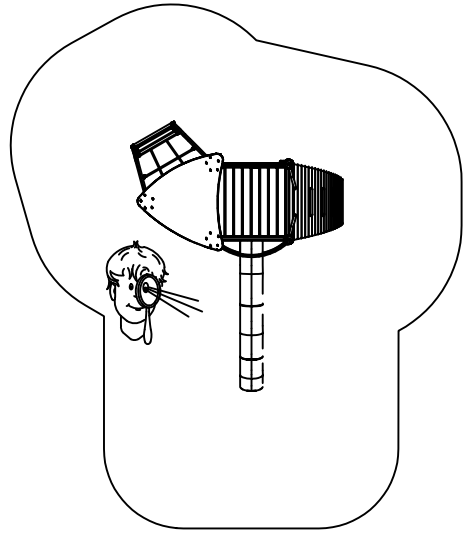


**HAGS** ANEBY, SWEDEN  
 +46(0)380-47300  
 www.hags.com

UniPlay Gumbo  
 8048390  
 2/5

EF - 2017-01-26 1+

STEP 1

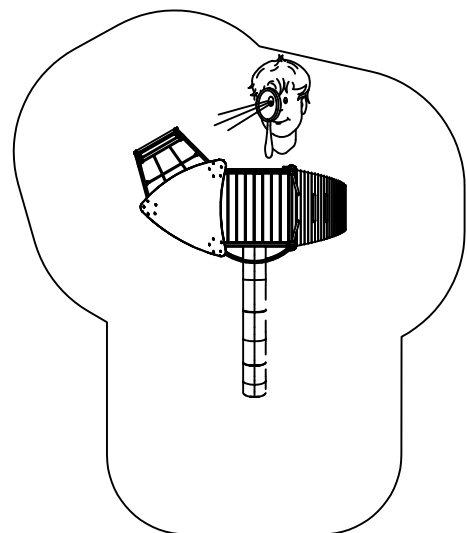


**HAGS** ANEBY, SWEDEN  
+46(0)380-47300  
www.hags.com

UniPlay Gumbo  
8048390  
3/5

EF - 2017-01-26 1+

STEP 2



180°

MASW 35698

5

420 938 13

6

MASW 37447

2

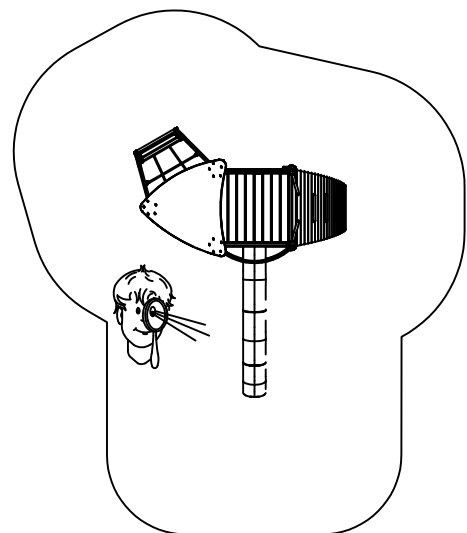
5

**HAGS** ANEBY, SWEDEN  
+46(0)380-47300  
www.hags.com

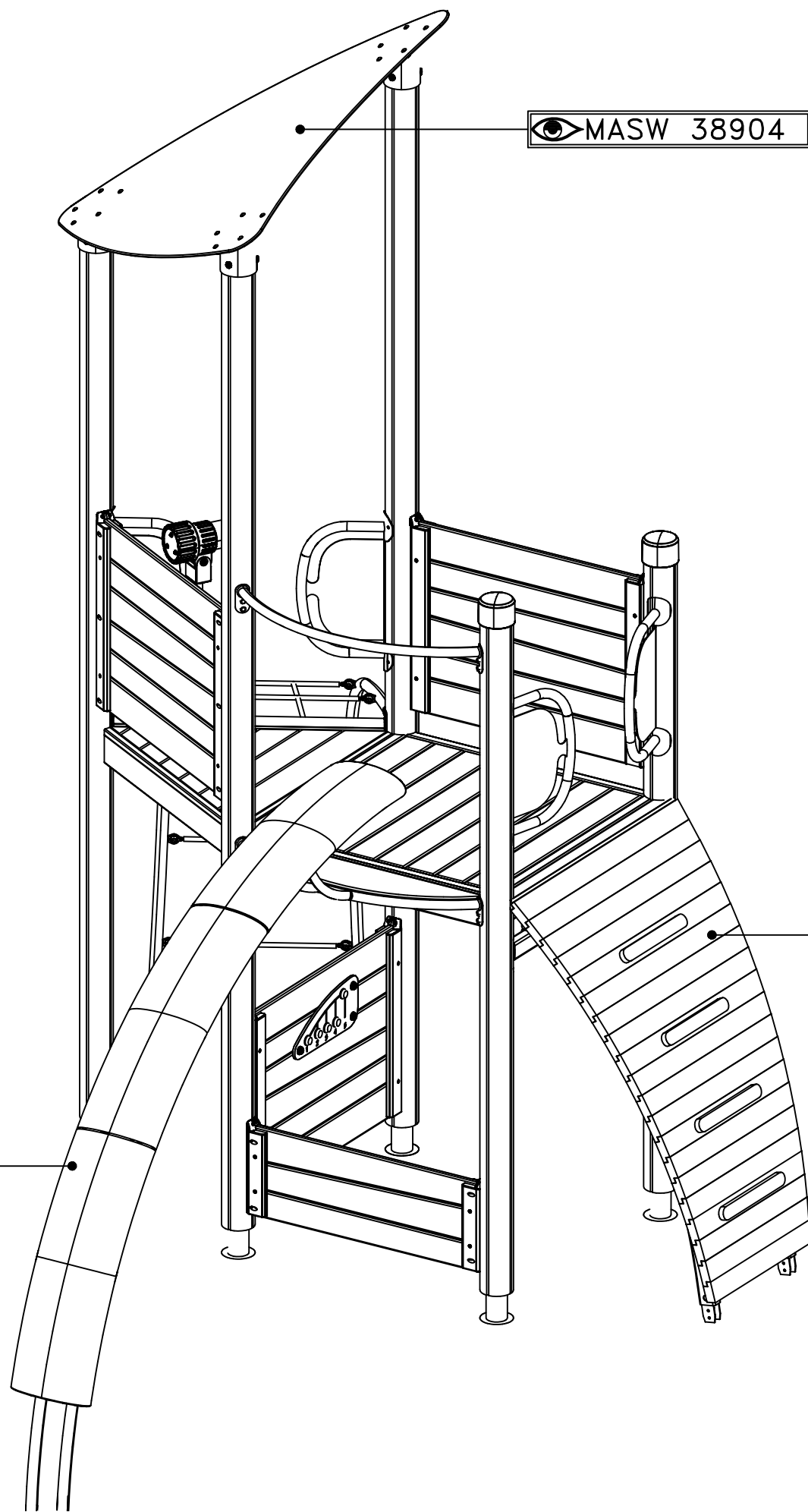
UniPlay Gumbo  
8048390  
4/5

EF - 2017-01-26 1+

STEP 3



180°



MASW 38904

MASW 36714

MASW 39102

**HAGS** ANEBY, SWEDEN  
+46(0)380-47300  
www.hags.com

UniPlay Gumbo  
8048390  
5/5

EF - 2017-01-26 1+