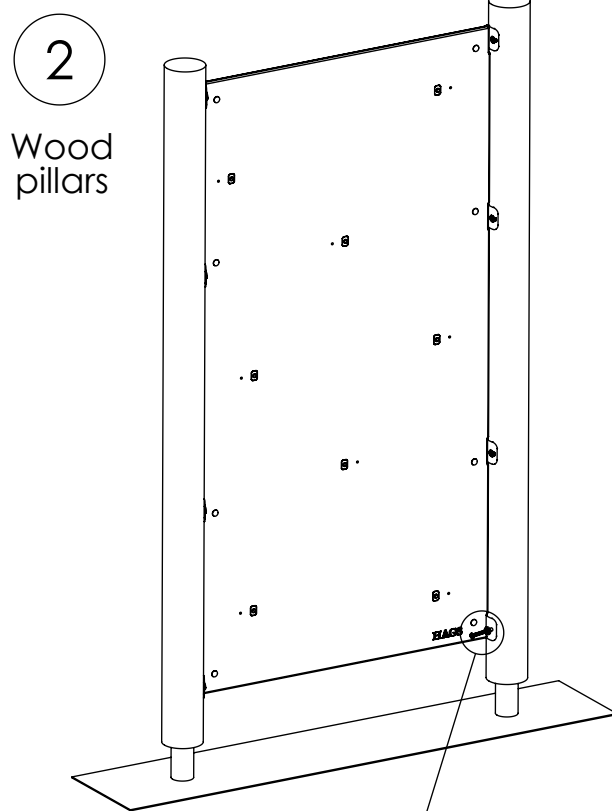
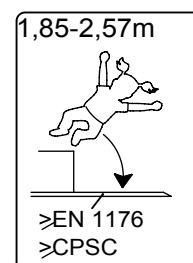
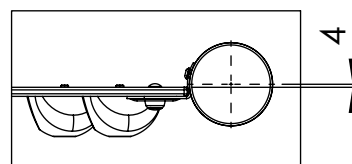
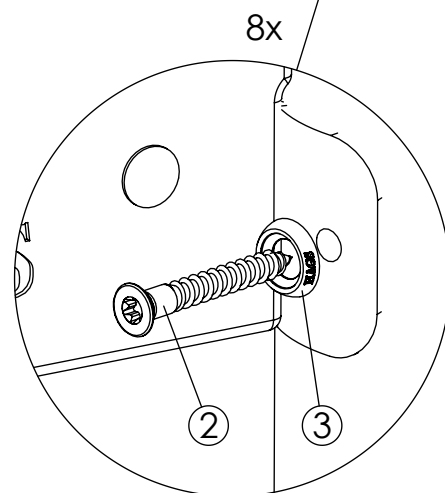
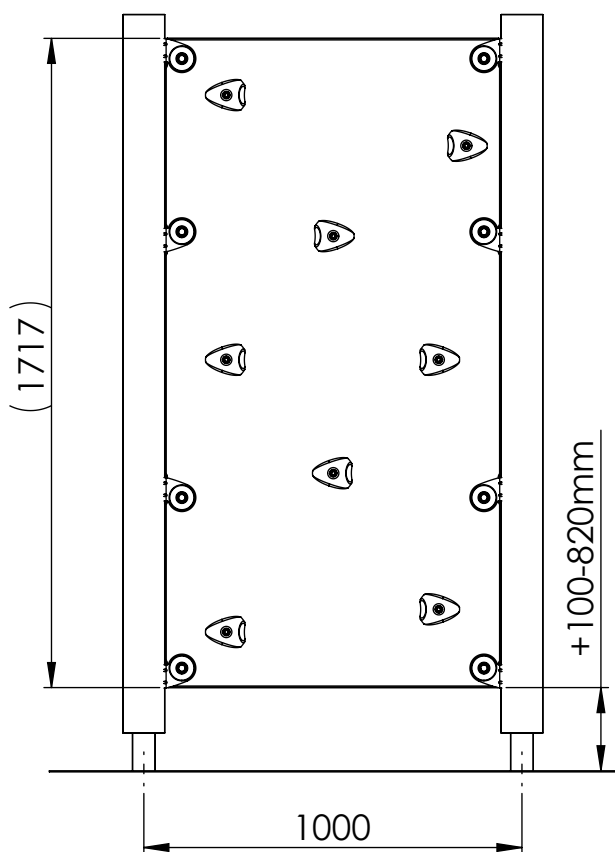


1
Wood pillars



2
Wood pillars



NR.	Description MA	Item Number	QTY.
1	1000 x1750mm	8049362	1
2	TKFT 8x60 mm	8008646	8
3	Washer 9x18x2	8035288	8

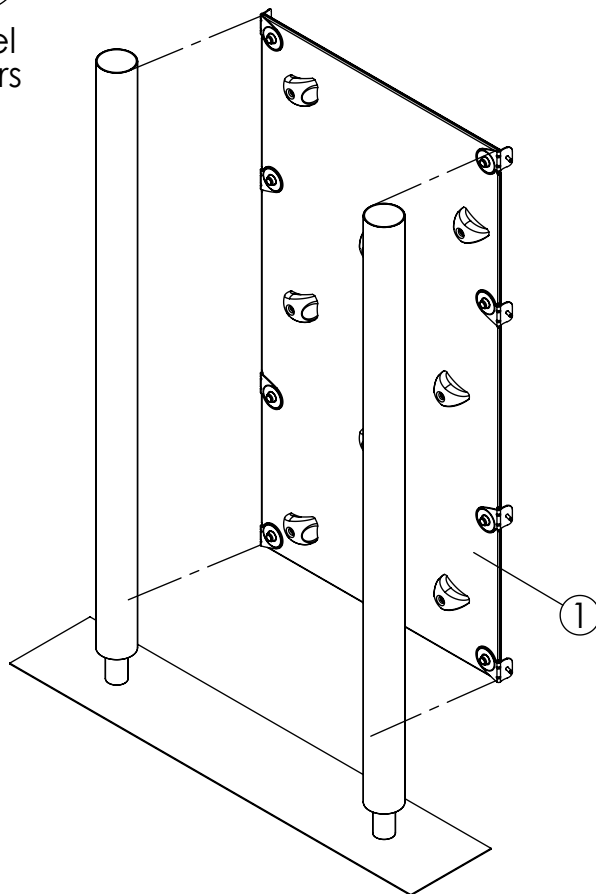
HAGS ANEBY, SWEDEN
+46(0)380-47300
www.hags.com

Climbing wall
MASW37501
1 (2)

SS ToB 2017-08-18 5

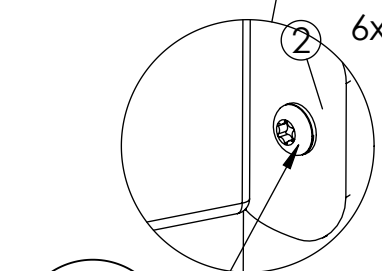
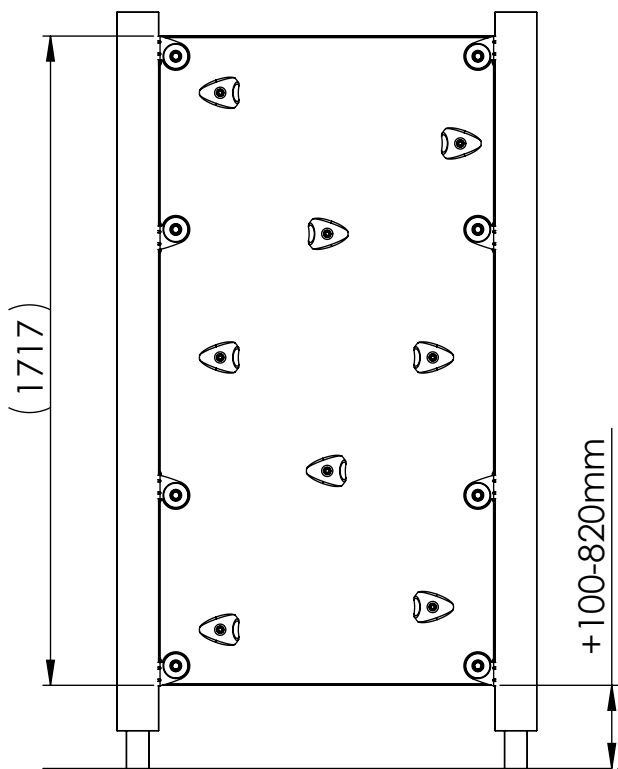
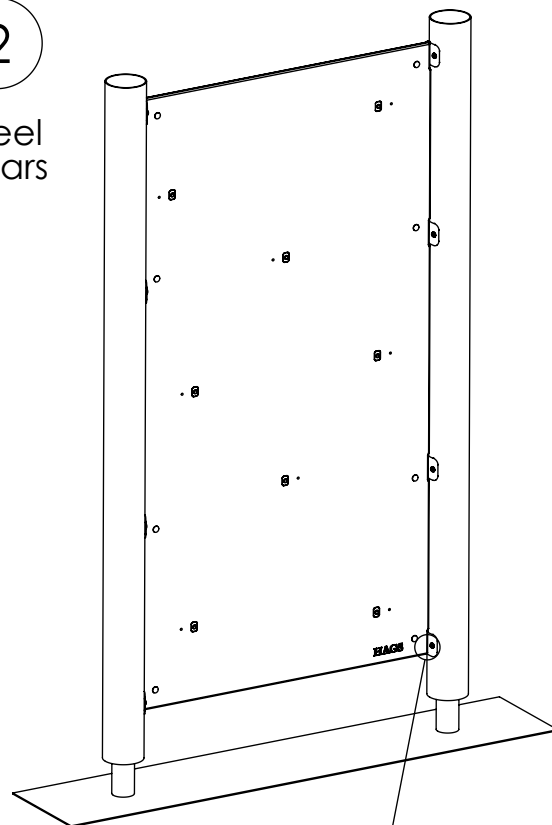
1

Steel pillars

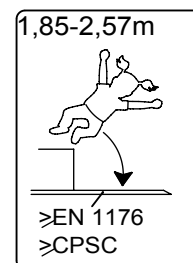
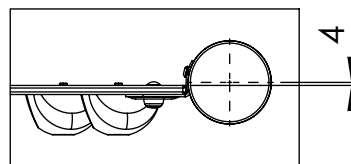


2

Steel pillars



MAX 400 rpm



HAGS

ANEBY, SWEDEN
+46(0)380-47300
www.hags.com

Climbing wall
MASW37501
2 (2)

NR.	Description MA	Item Number	QTY.
1	1000 x1750mm	8049362	1
2	Screw, thr-forming M8x25-8.8-(ISO7380)	8008506	8

SS ToB 2017-08-18 5