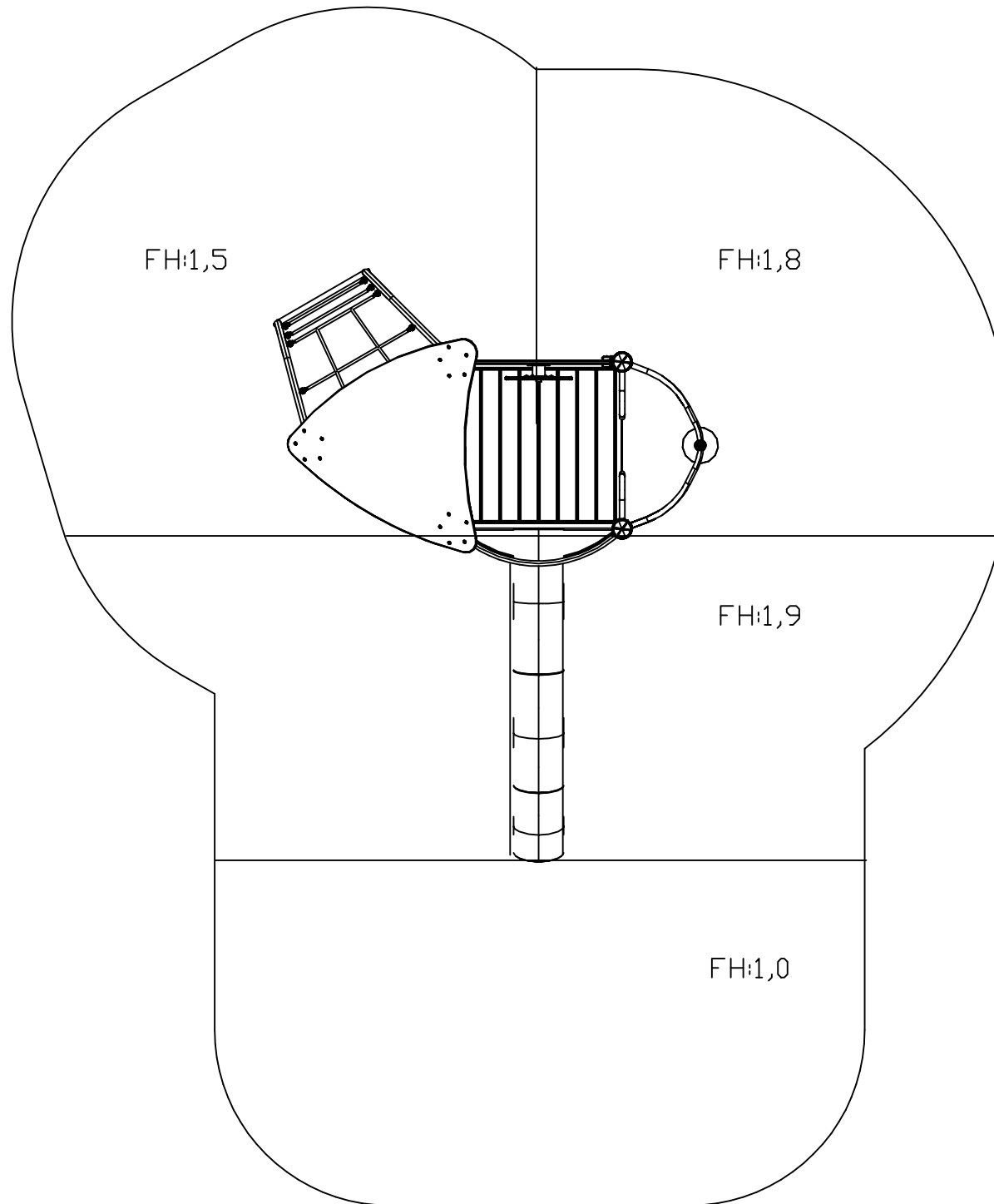
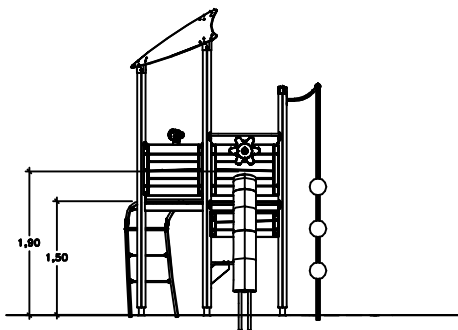
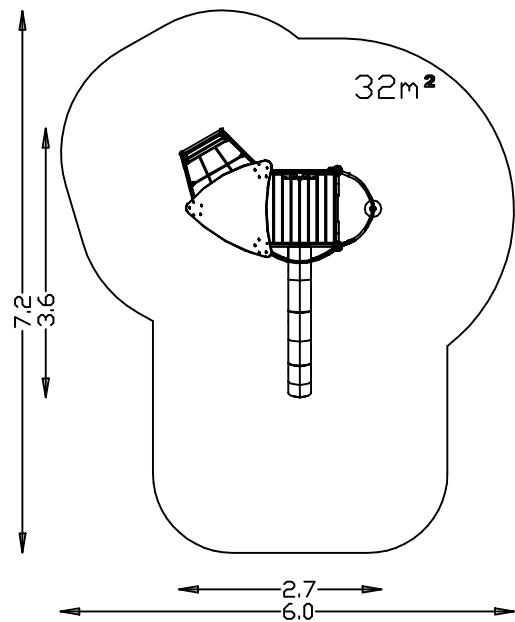


# UniPlay Crox

1:100  
1,0m 5,0m



17h



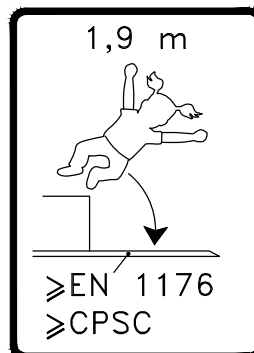
Varje vecka  
Every week  
Jede woche  
Chaque semaine



Varje säsong  
Every season  
Jedes Jahr  
Chaque saison



5-12



Step by Step UniPlay

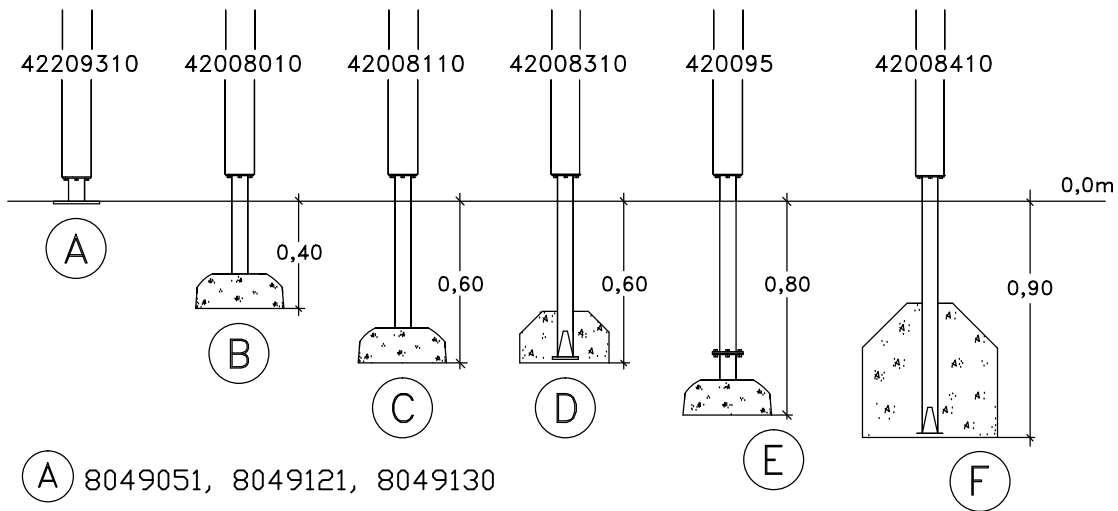
SE 1(3)

**HAGS** ANEBY, SWEDEN  
+46(0)380-47300  
www.hags.com

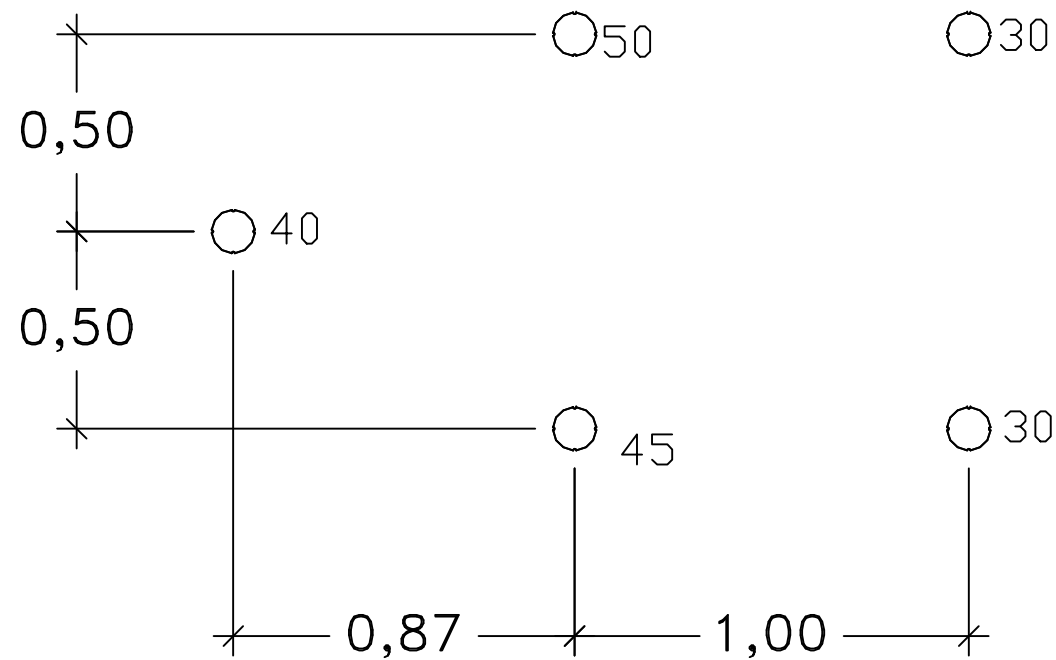
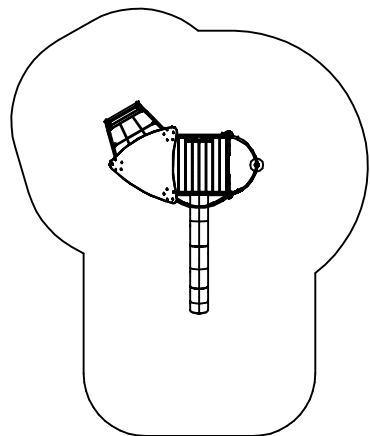
UniPlay Crox  
8048386  
1/5

EF OG 2015 01 20

420 080 10



- (A) 8049051, 8049121, 8049130
- (B) 8048386, 8049124, 8049134
- (D) 8048052, 8049122, 8049132
- (E) 8049053, 8049123, 8049133



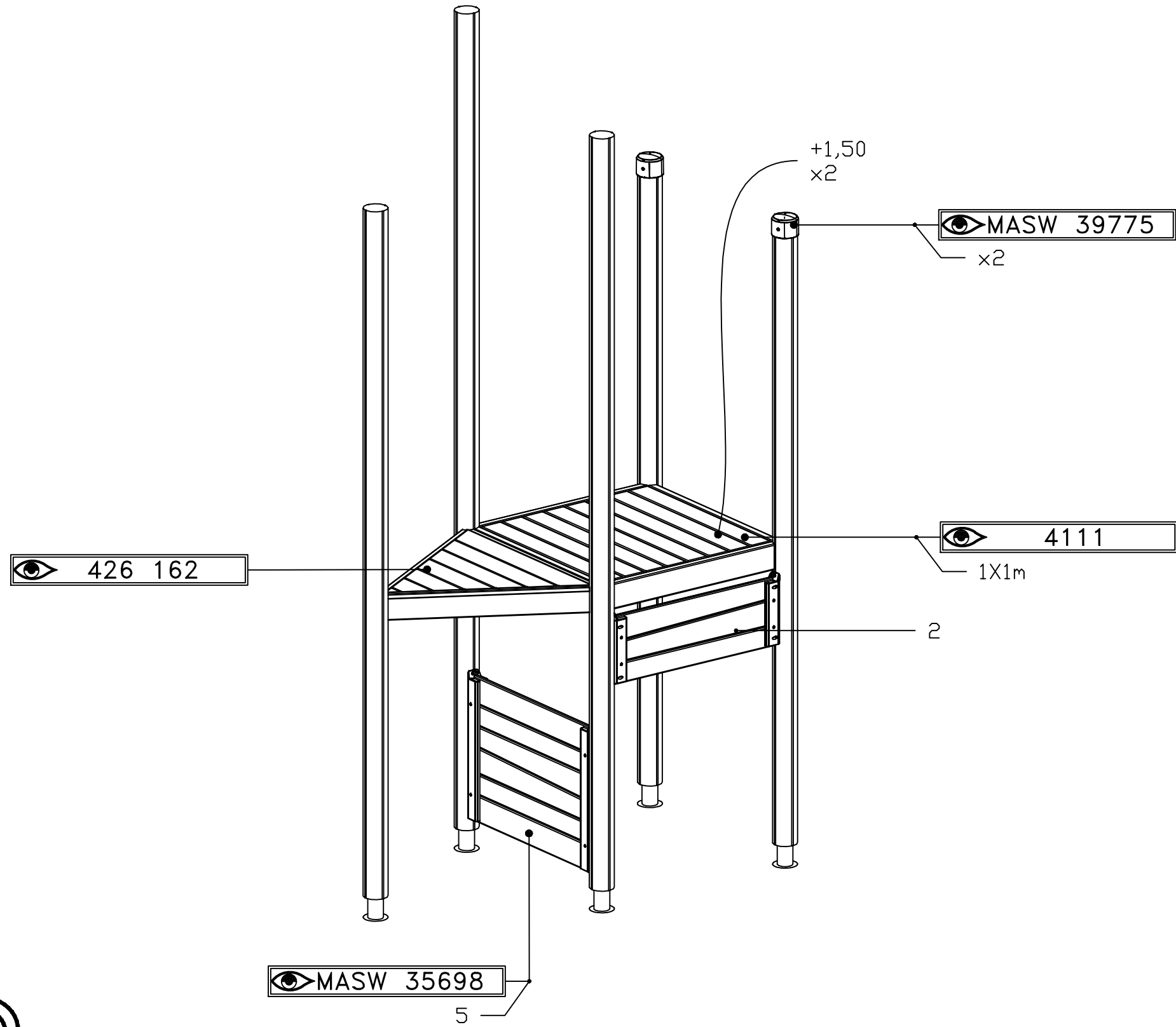
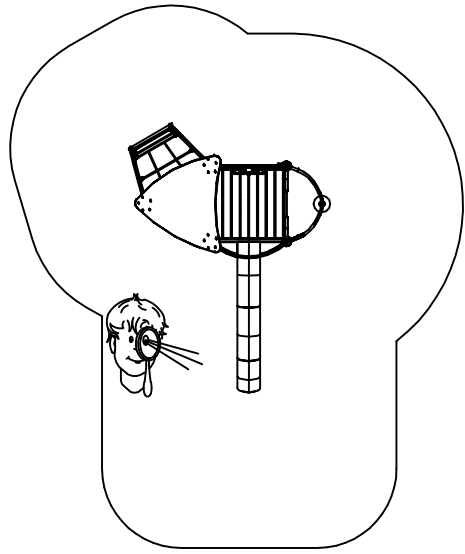
- 1 = L: 1550
- 5 = L: 1700
- 10 = L: 2000
- 15 = L: 2300
- 20 = L: 2450
- 25 = L: 2600
- 30 = L: 2900
- 35 = L: 3130
- 40 = L: 3200
- 45 = L: 3500
- 50 = L: 3800
- 55 = L: 4100
- 60 = L: 4250
- 65 = L: 4400
- 70 = L: 4465
- 75 = L: 4550
- 80 = L: 4700
- 85 = L: 5000

**HAGS** ANEBY, SWEDEN  
 +46(0)380-47300  
 www.hags.com

UniPlay Crox  
 8048386  
 2/5

EF 2015 01 20

# STEP 1

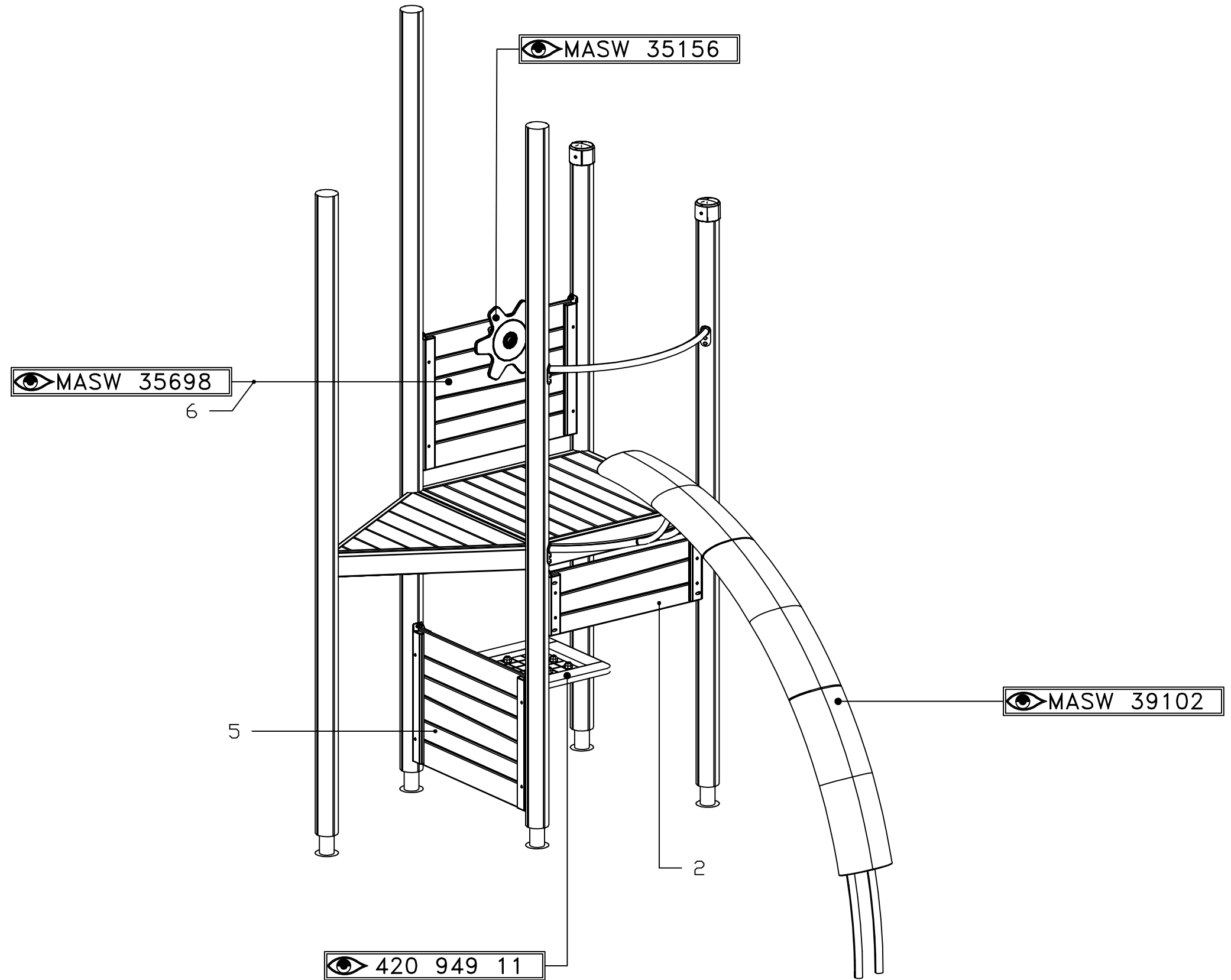
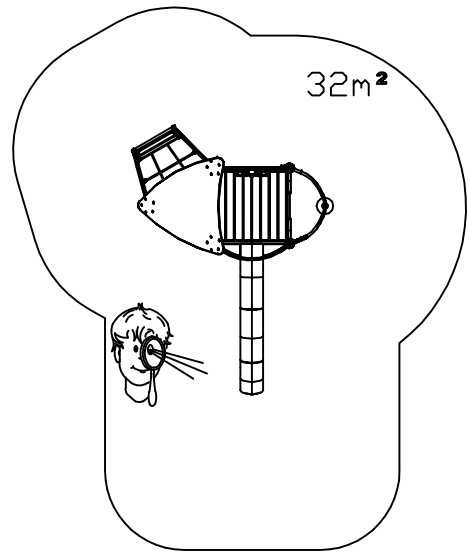


**HAGS** ANEBY, SWEDEN  
+46(0)380-47300  
www.hags.com

UniPlay Crox  
8048386  
3/5

EF OG 2015 01 20

STEP 2

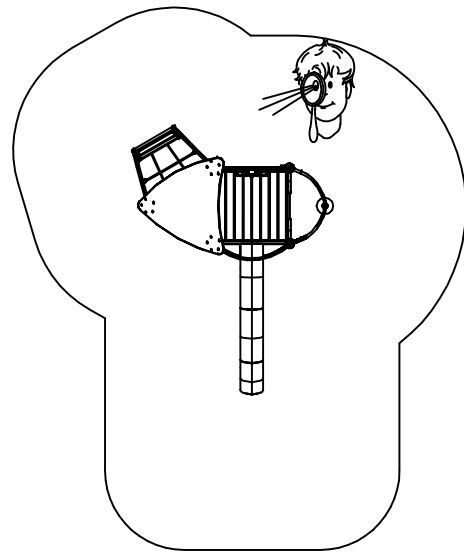


**HAGS** ANEBY, SWEDEN  
+46(0)380-47300  
www.hags.com

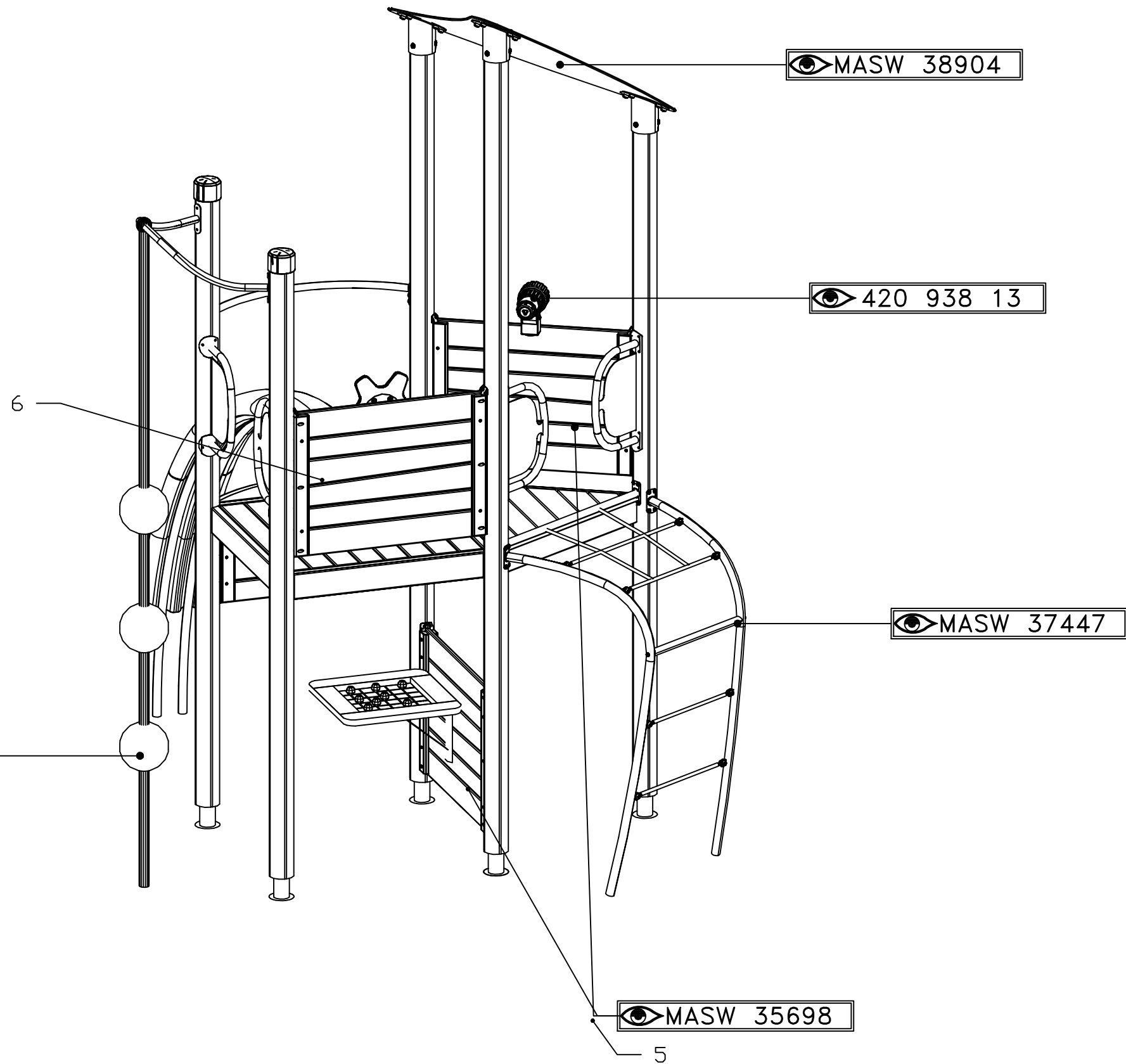
UniPlay Crox  
8048386  
4/5

EF OG 2015 01 20

# STEP 3



180°



**HAGS** ANEBY, SWEDEN  
+46(0)380-47300  
www.hags.com

UniPlay Crox  
8048386  
5/5

EF OG 2015 01 20