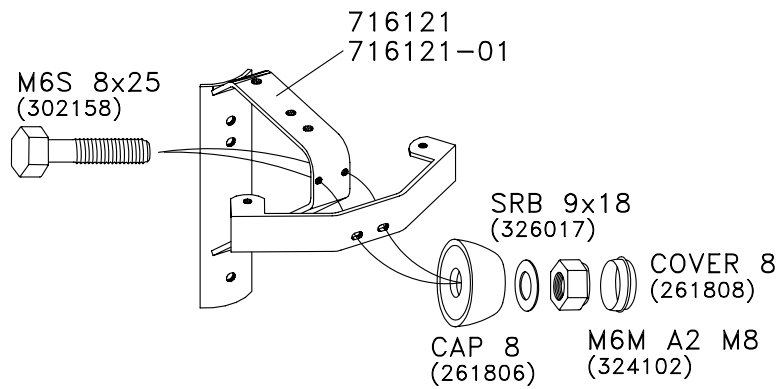
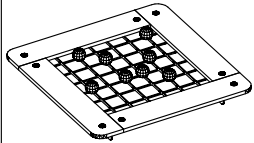
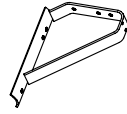
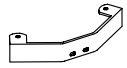

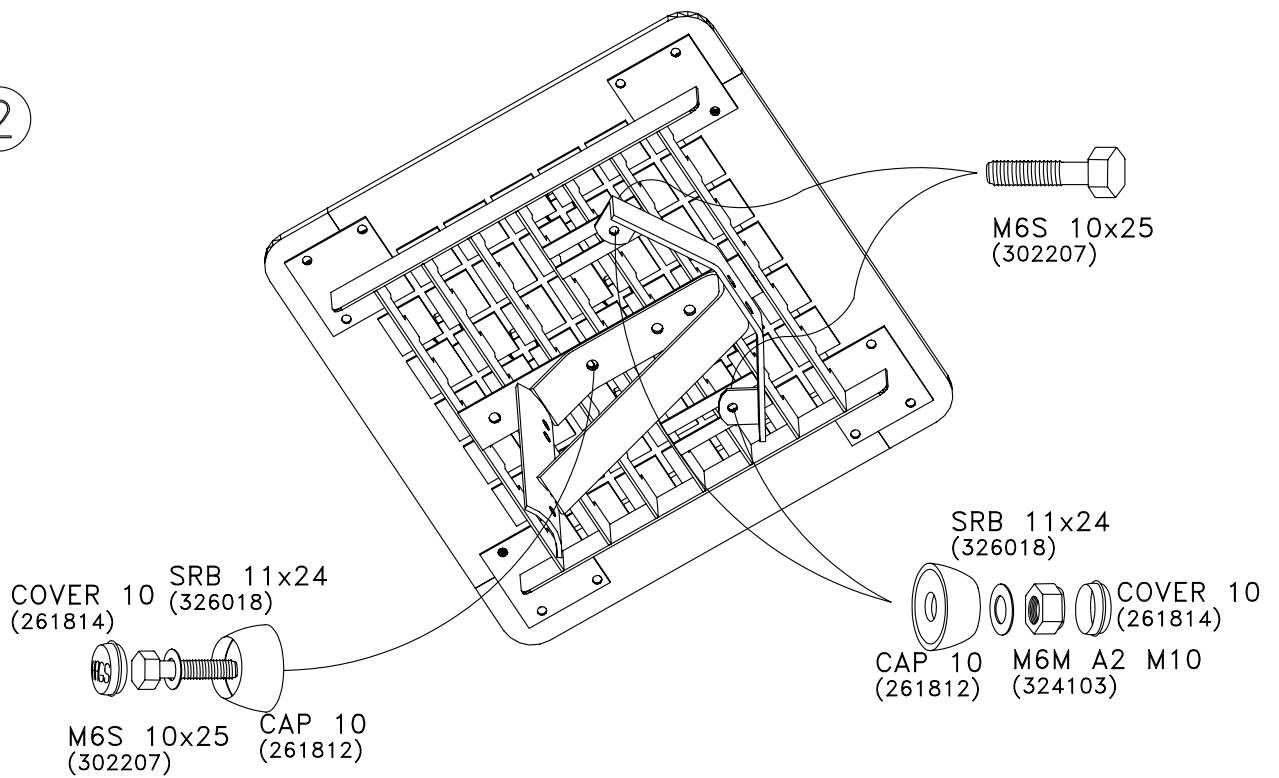




1



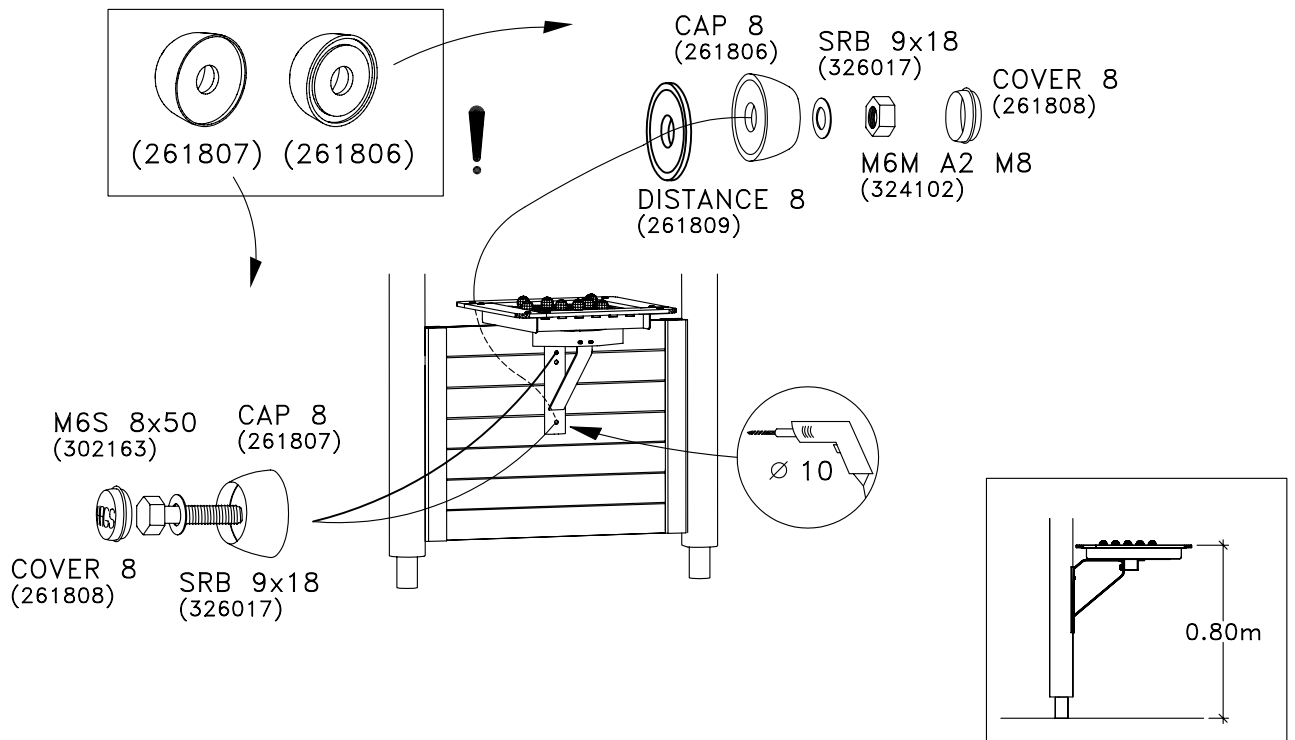
TYPE	HAGS NO.
	410949
	716121 716121-01
	716123
	260324

2

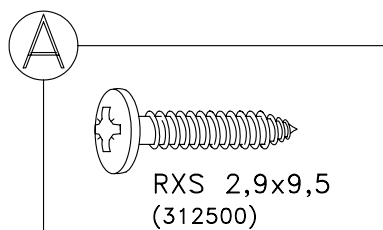
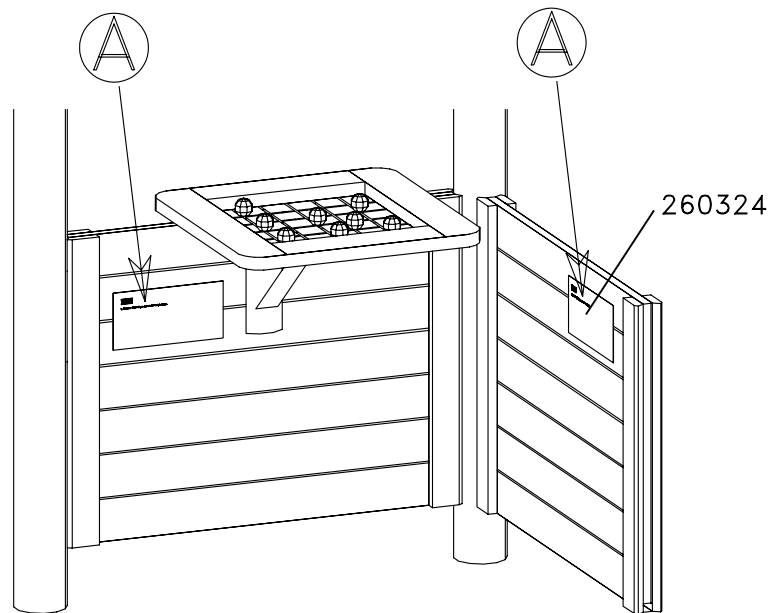


HAGS		ANEBY, SWEDEN +46(0)380-47300 www.hags.com	
Vagabond			
420 949 11			
1(2)			
	TJ		MN 2008-06-04 0

3



4



HAGS ANEBY, SWEDEN
+46(0)380-47300
www.hags.com

Vagabond
420 949 11
2(2)

TJ MN 2008-06-04 0