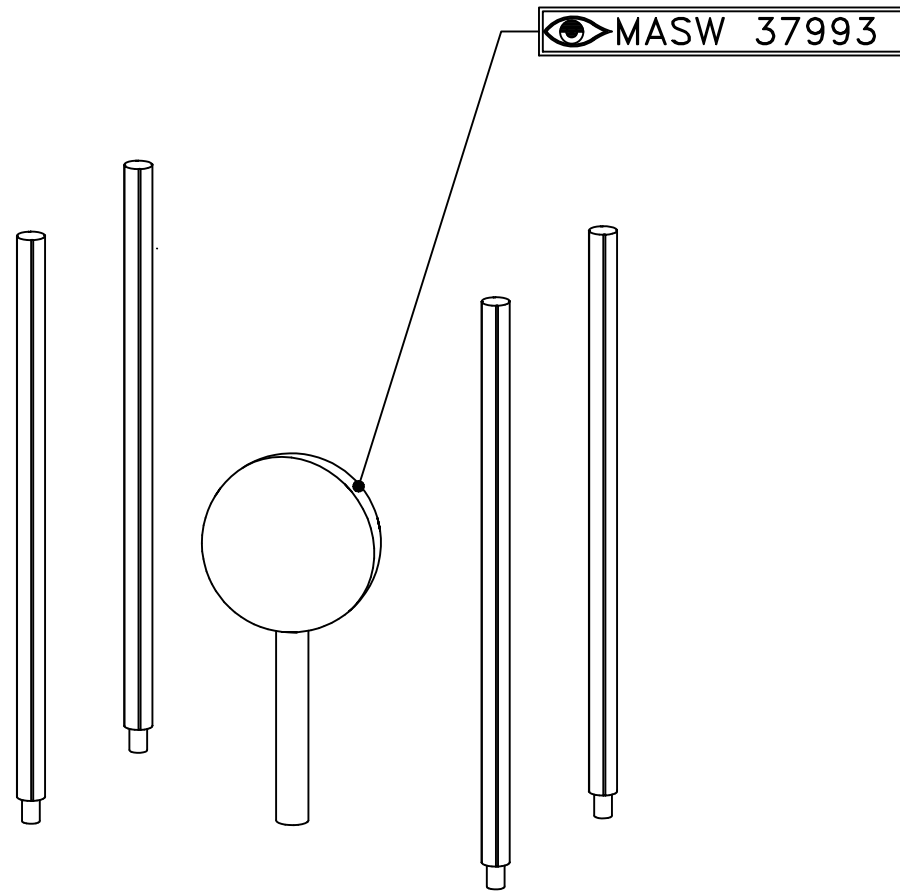
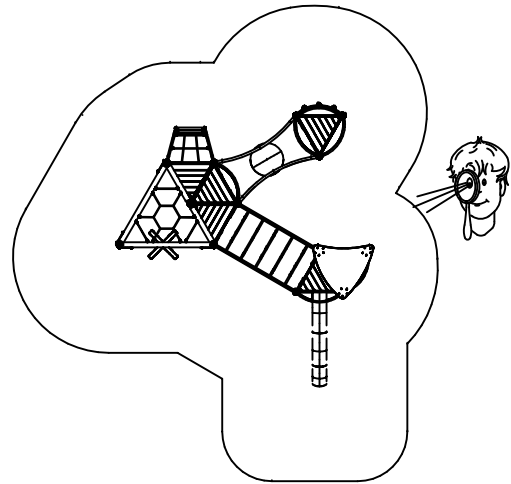


# UniPlay Belidore





STEP 1

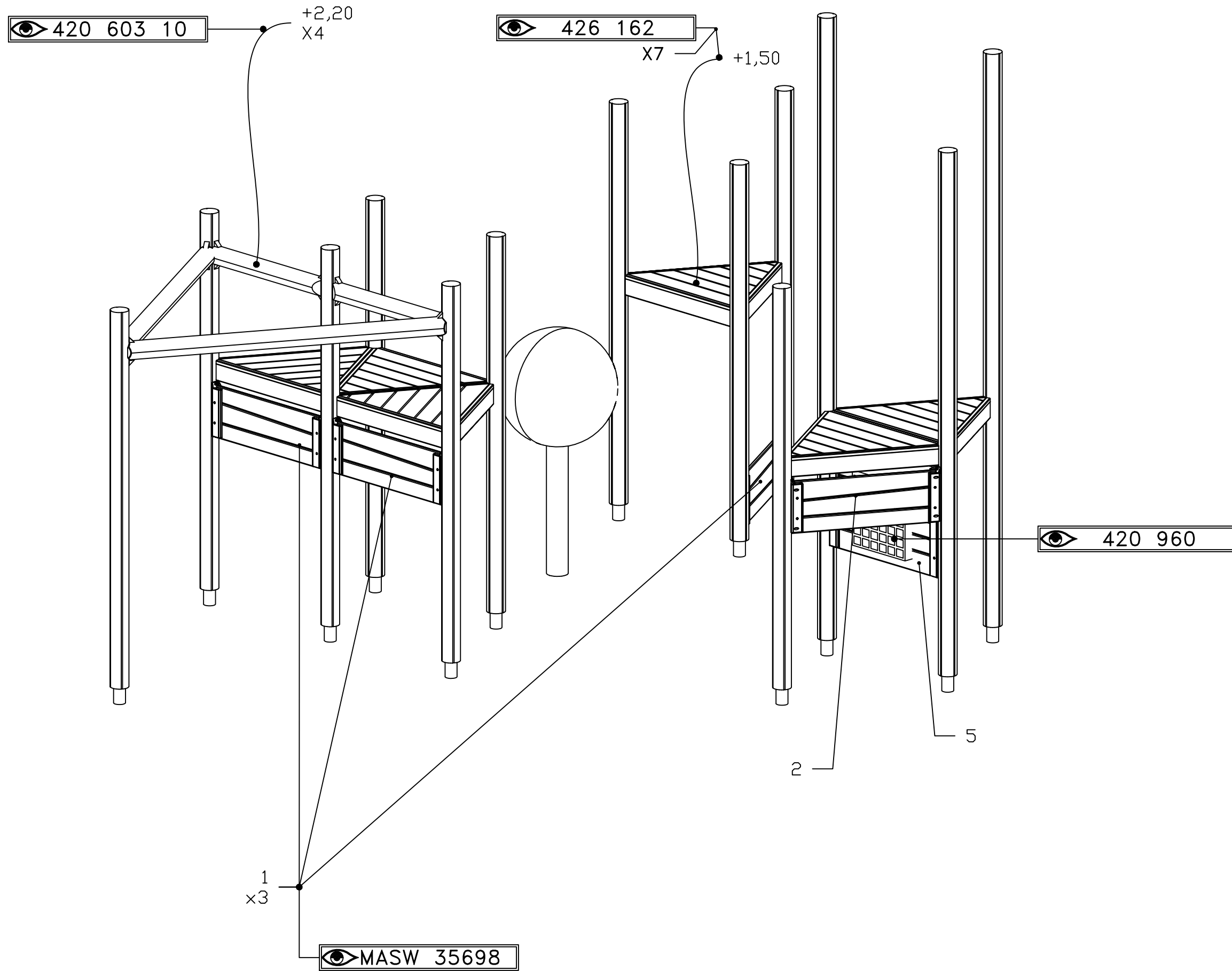
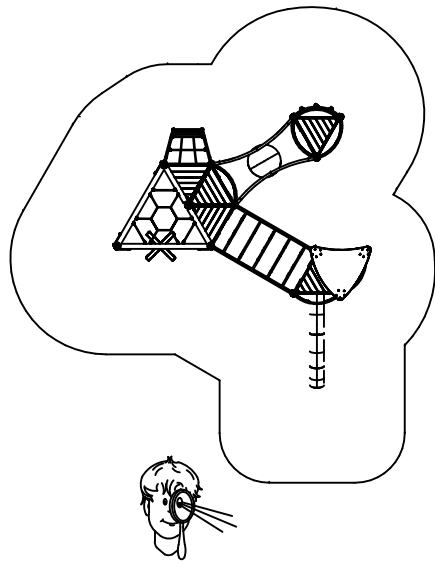


**HAGS** ANEBY, SWEDEN  
+46(0)380-47300  
www.hags.com

Uniplay Belidore  
8048385  
3/8

EF MB 2017-09-13 2

# STEP 2

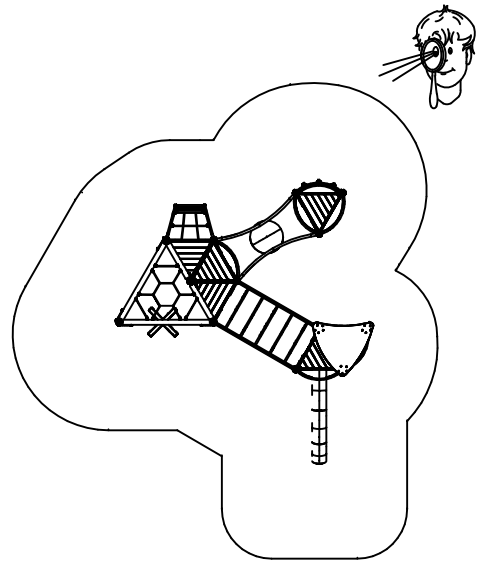


**HAGS** ANEBY, SWEDEN  
+46(0)380-47300  
www.hags.com

Uniplay Belidore  
8048385  
4/8

EF MB 2017-09-13 2

STEP 3

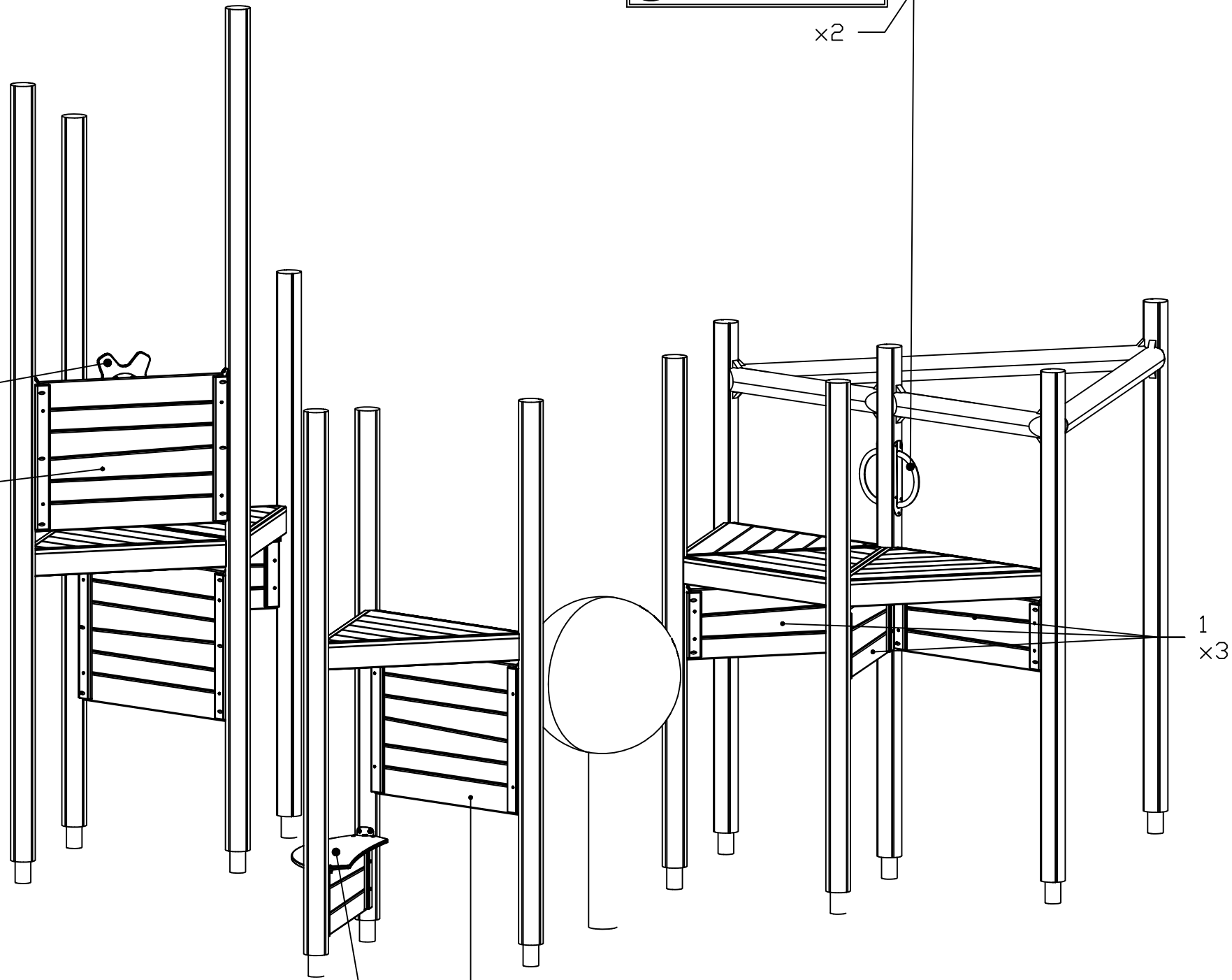


420 936 10

5

MASW 39776

x2



1  
x3

MASW 35698

6

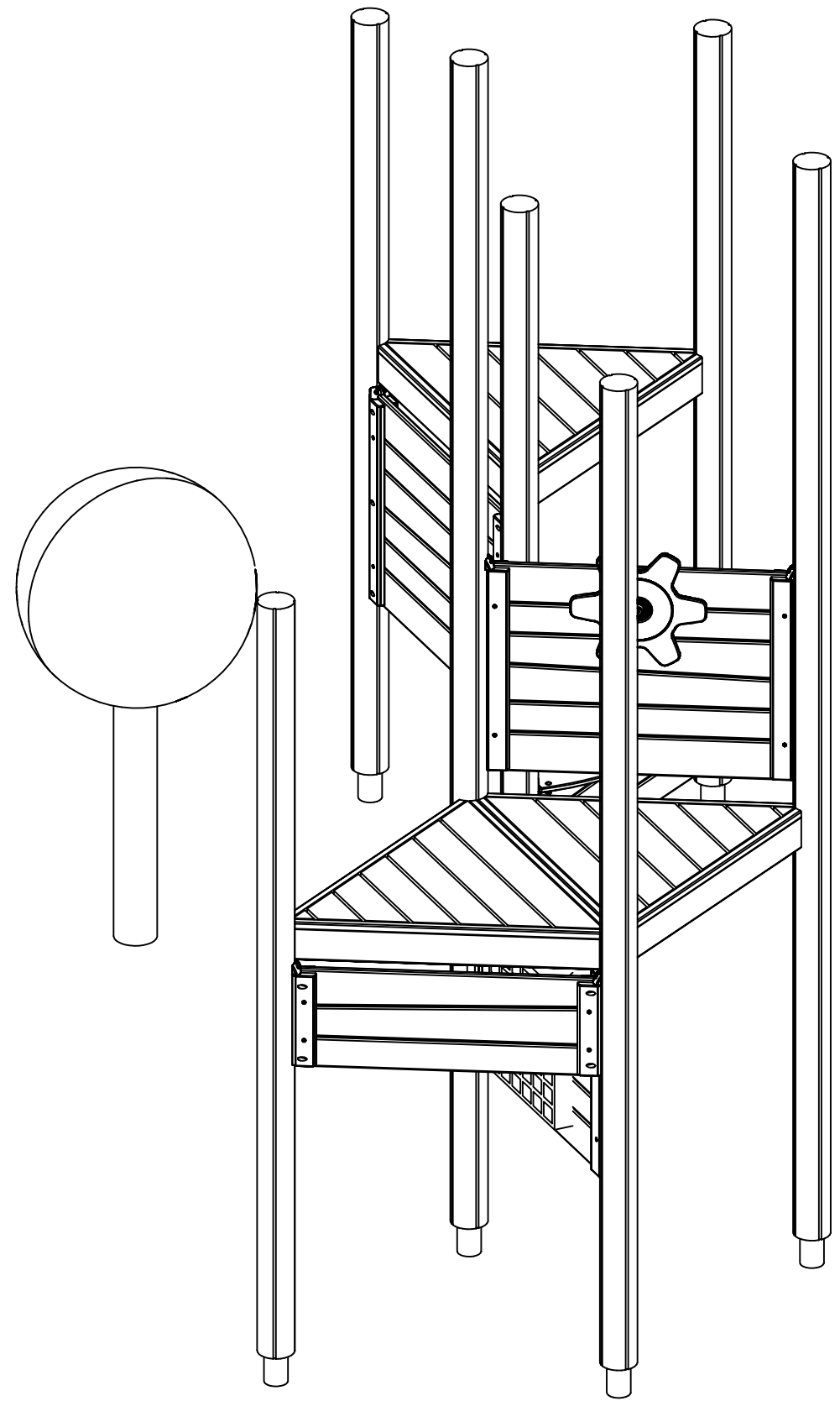
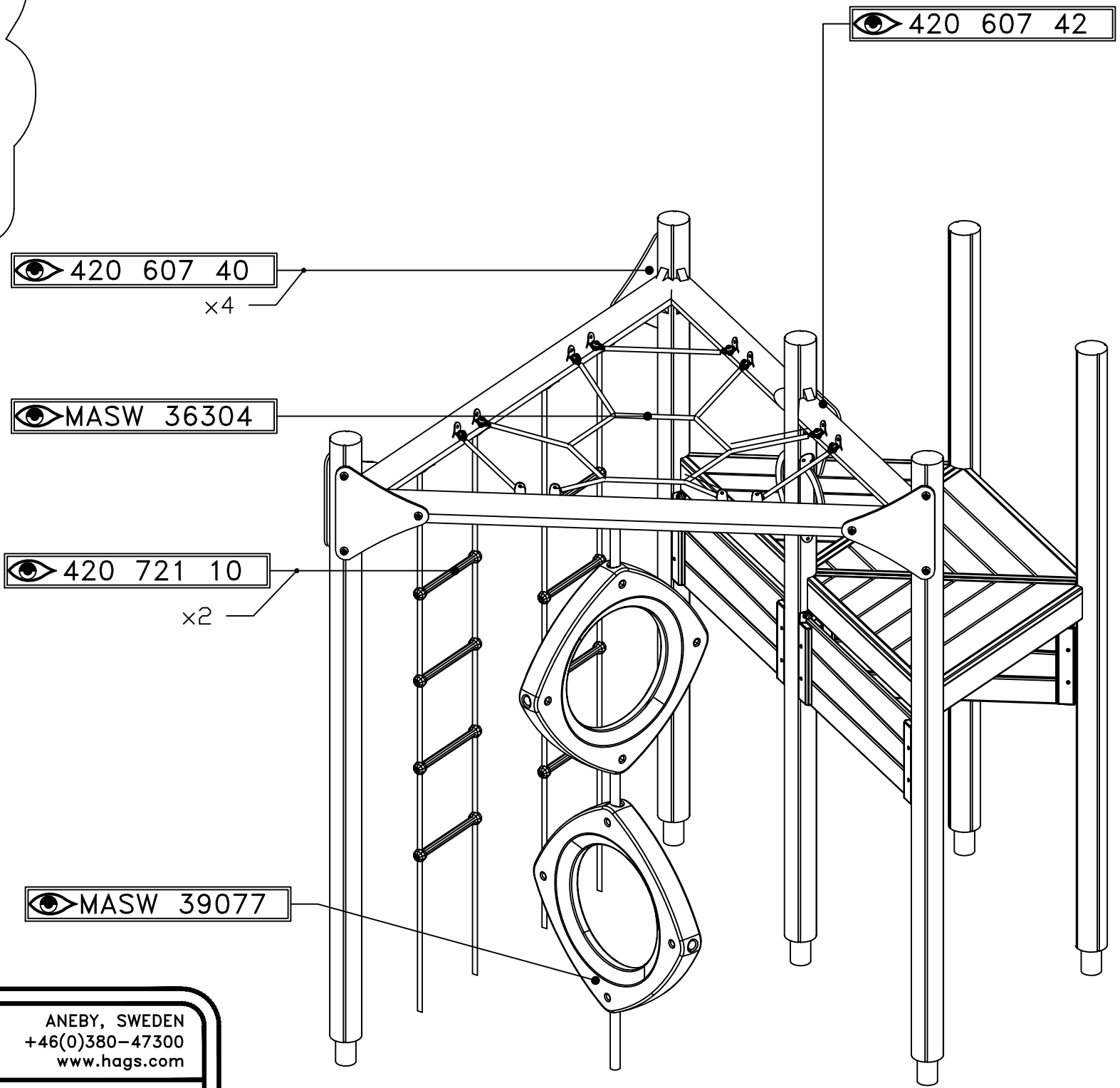
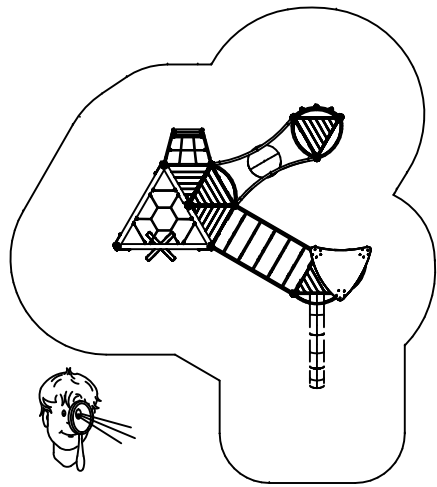
MASW 32584

**HAGS** ANEBY, SWEDEN  
+46(0)380-47300  
www.hags.com

Uniplay Belidore  
8048385  
5/8

EF MB 2017-09-13 2

STEP 4

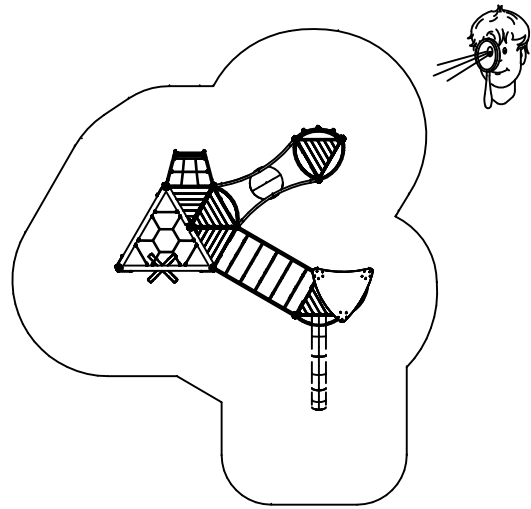


**HAGS** ANEBY, SWEDEN  
+46(0)380-47300  
www.hags.com

Uniplay Belidore  
8048385  
6/8

EF MB 2017-09-13 2

STEP 5



MASW 37572

+2,25

+1,0

+0,5

MASW 39776

MASW 39775

x10

MASW 34935

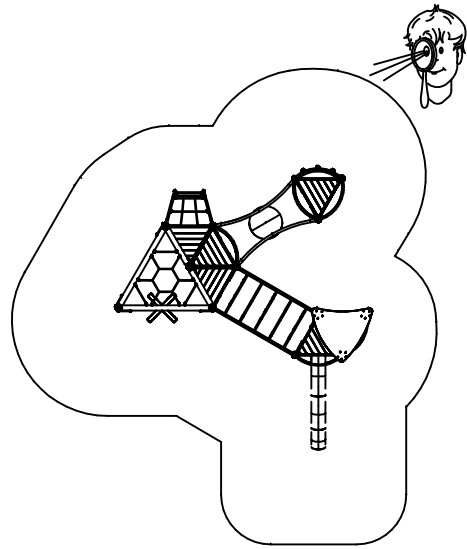
MASW 36155

**HAGS** ANEBY, SWEDEN  
+46(0)380-47300  
www.hags.com

Uniplay Belidore  
8048385  
7/8

EF MB 2017-09-13 2

STEP 6



MASW 36147

MASW 33028

420 741 14

MASW 37447

MASW 37993

**HAGS** ANEBY, SWEDEN  
+46(0)380-47300  
www.hags.com

Uniplay Belidore  
8048385  
8/8

EF MB 2017-09-13 2