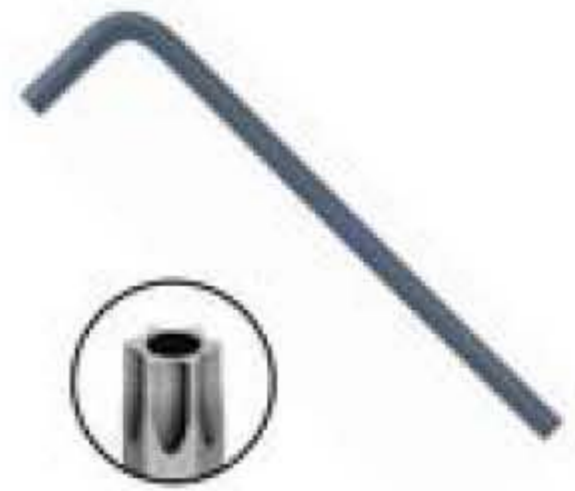


Tools & Equipment Required



Tamper Proof Key (T45)



Tamper Proof Driver Bit (T45)

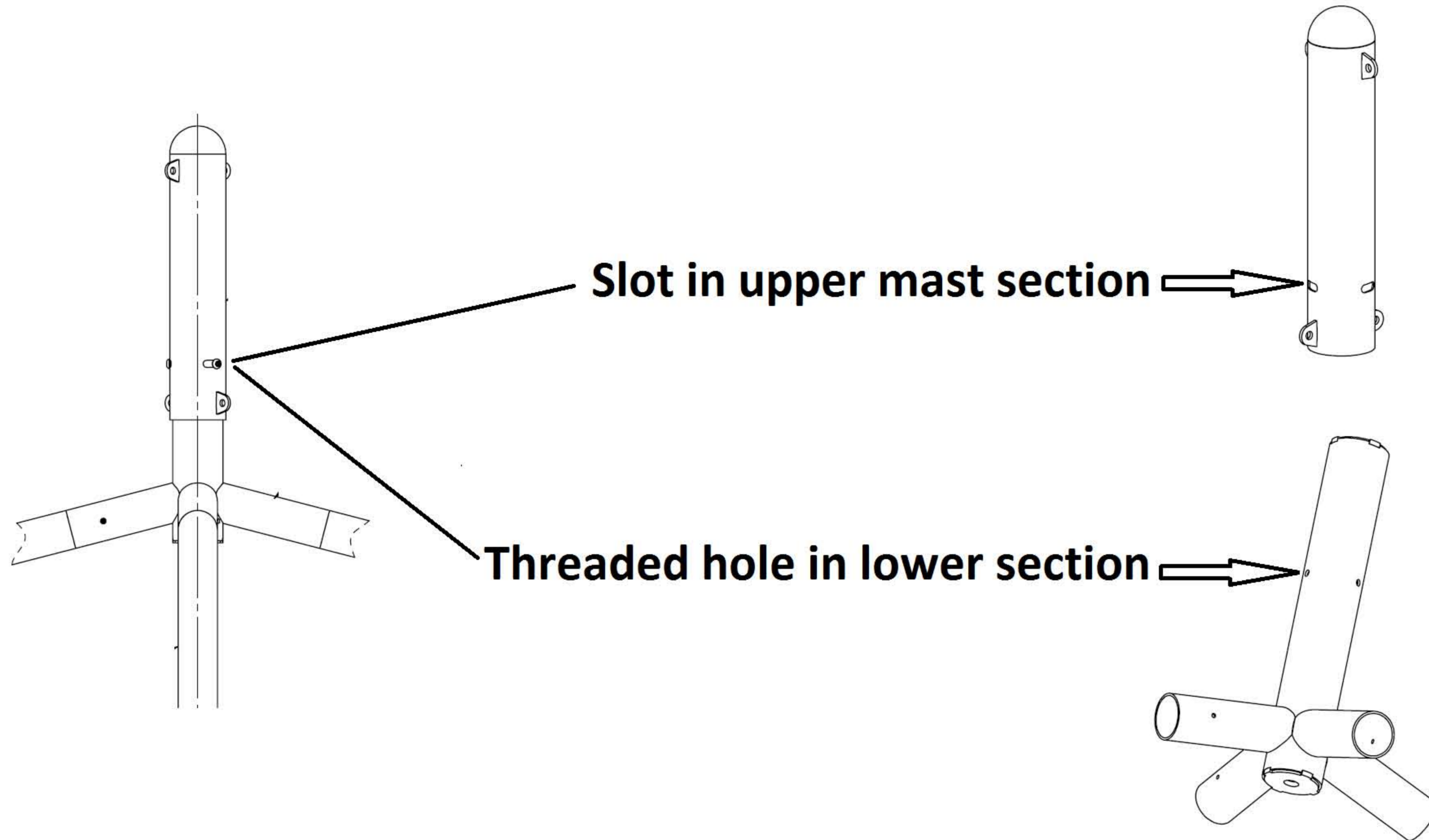


Ratchet



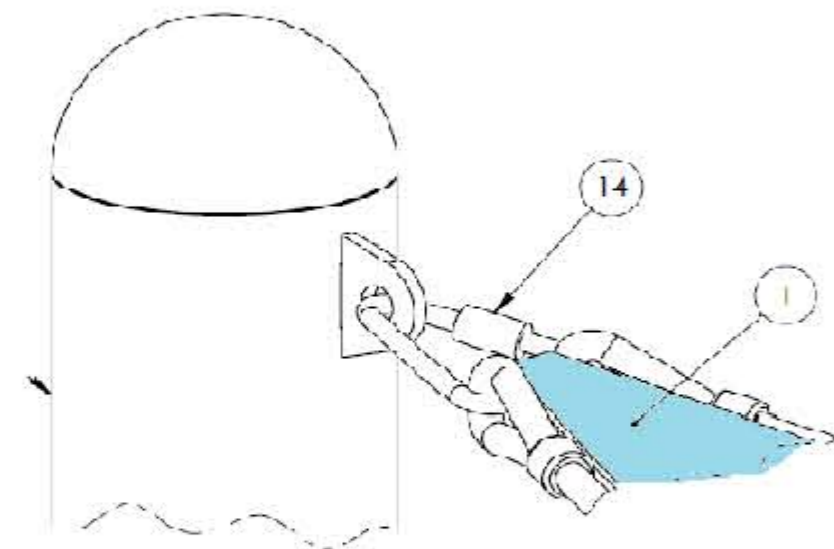
12 mm Socket

Important: Prior to installing the fabric slide the UPPER mast up and make sure that the slot in the UPPER mast aligns with the threaded hole in the LOWER mast assembly.



Upper Fabric Installation

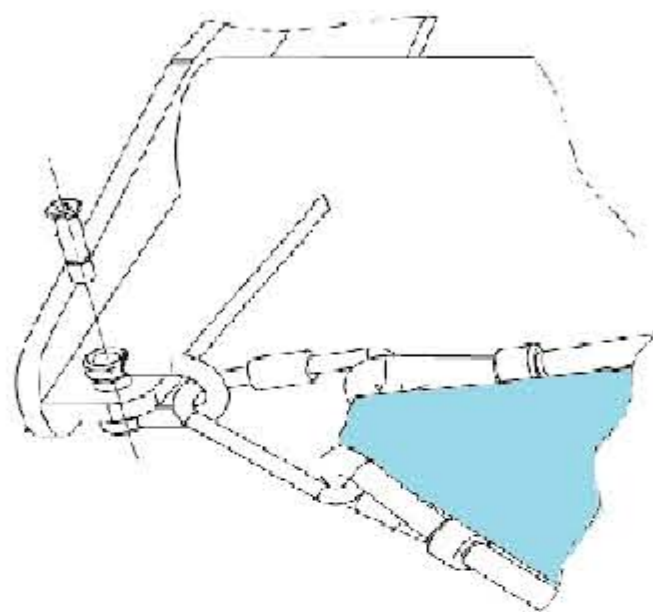
Step 1



DETAIL 8
Typ 3 Places

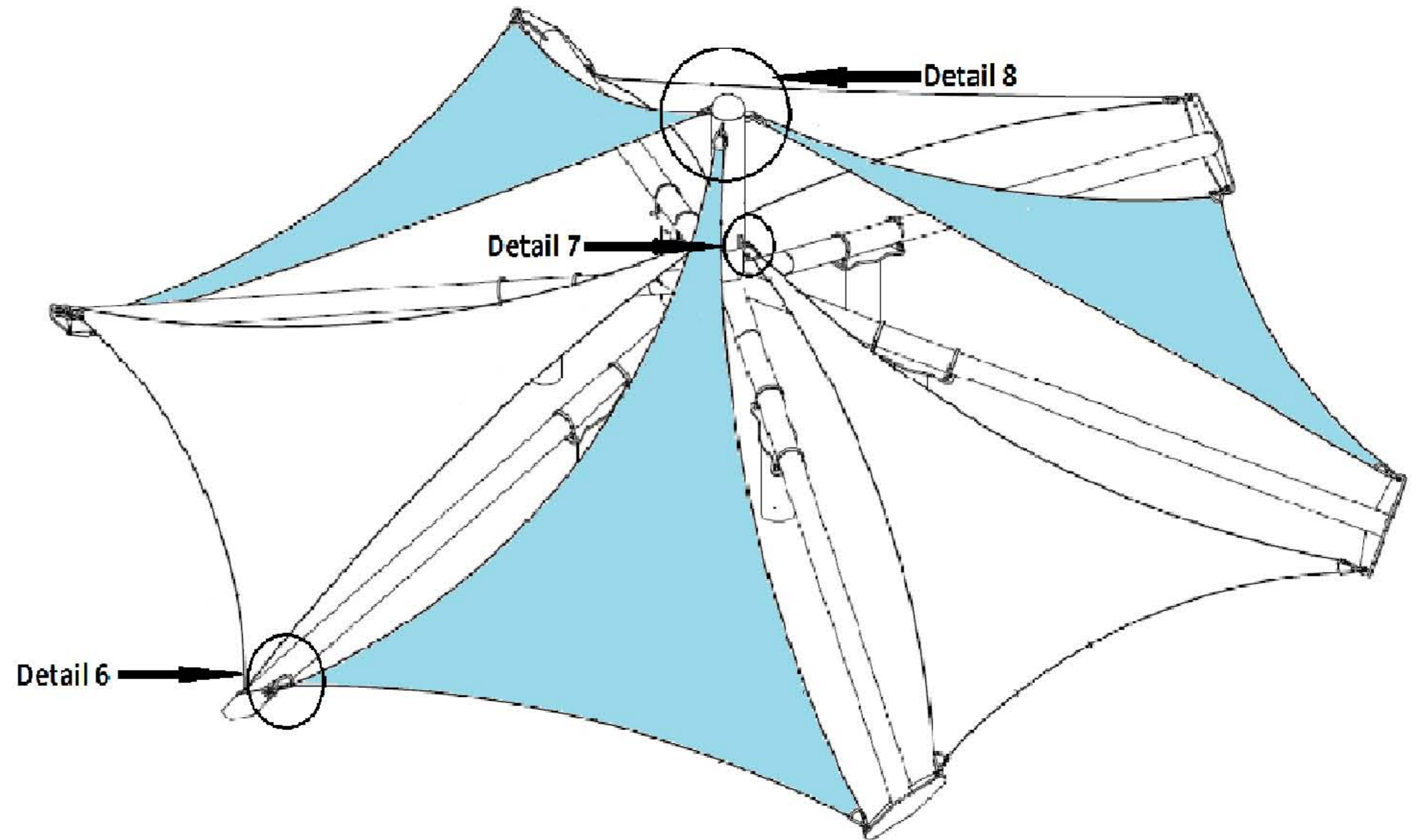
Attach the upper fabric panels to the upper mast connection in detail 8.

Step 2

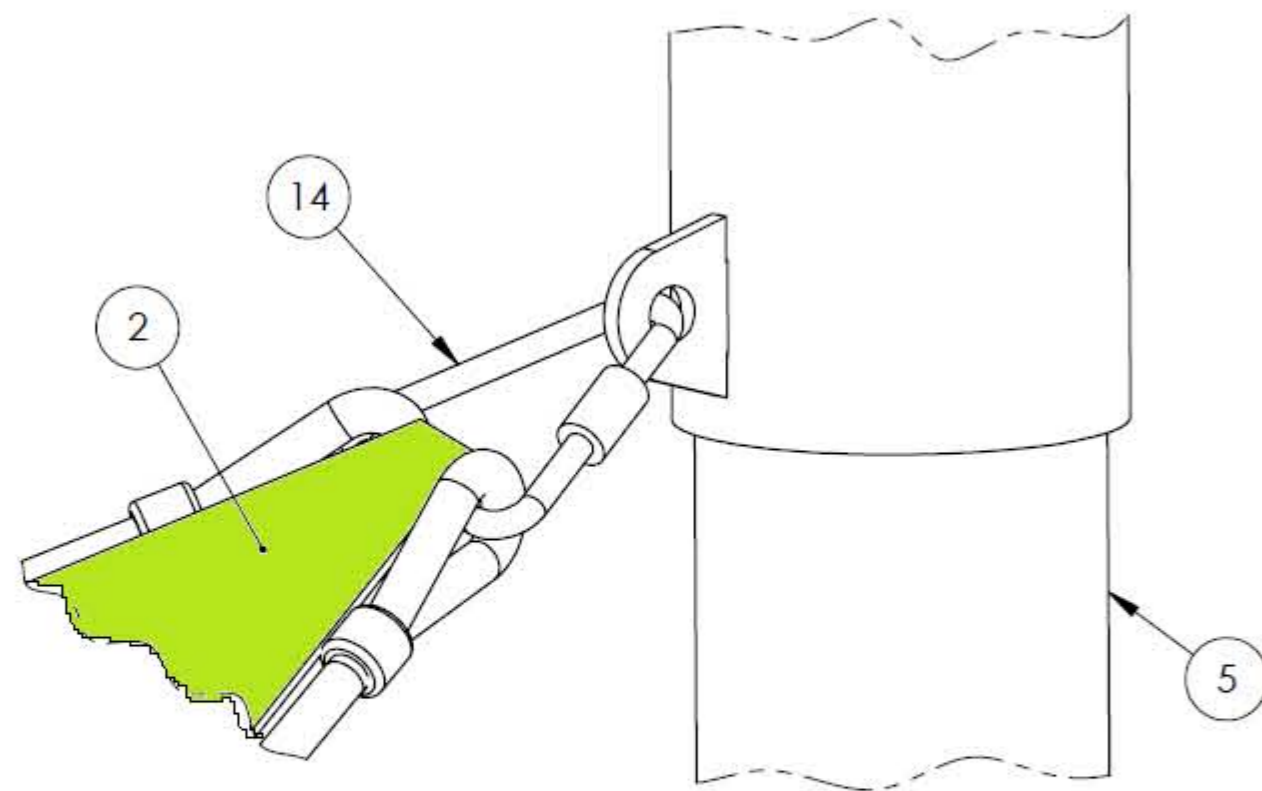


DETAIL 6
Typ 12 Places

Connect upper fabric to rafter end plates



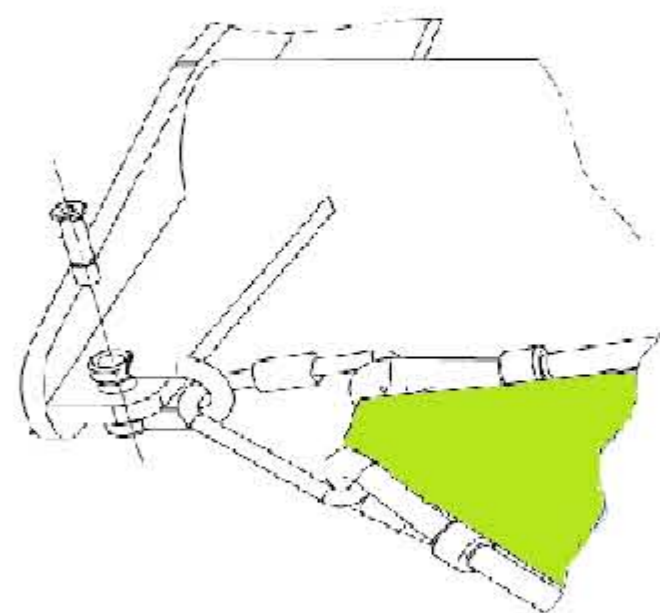
Step 3



DETAIL 7
Typ 3 Places

Attach the lower fabric panels to the upper mast connection in detail 7.

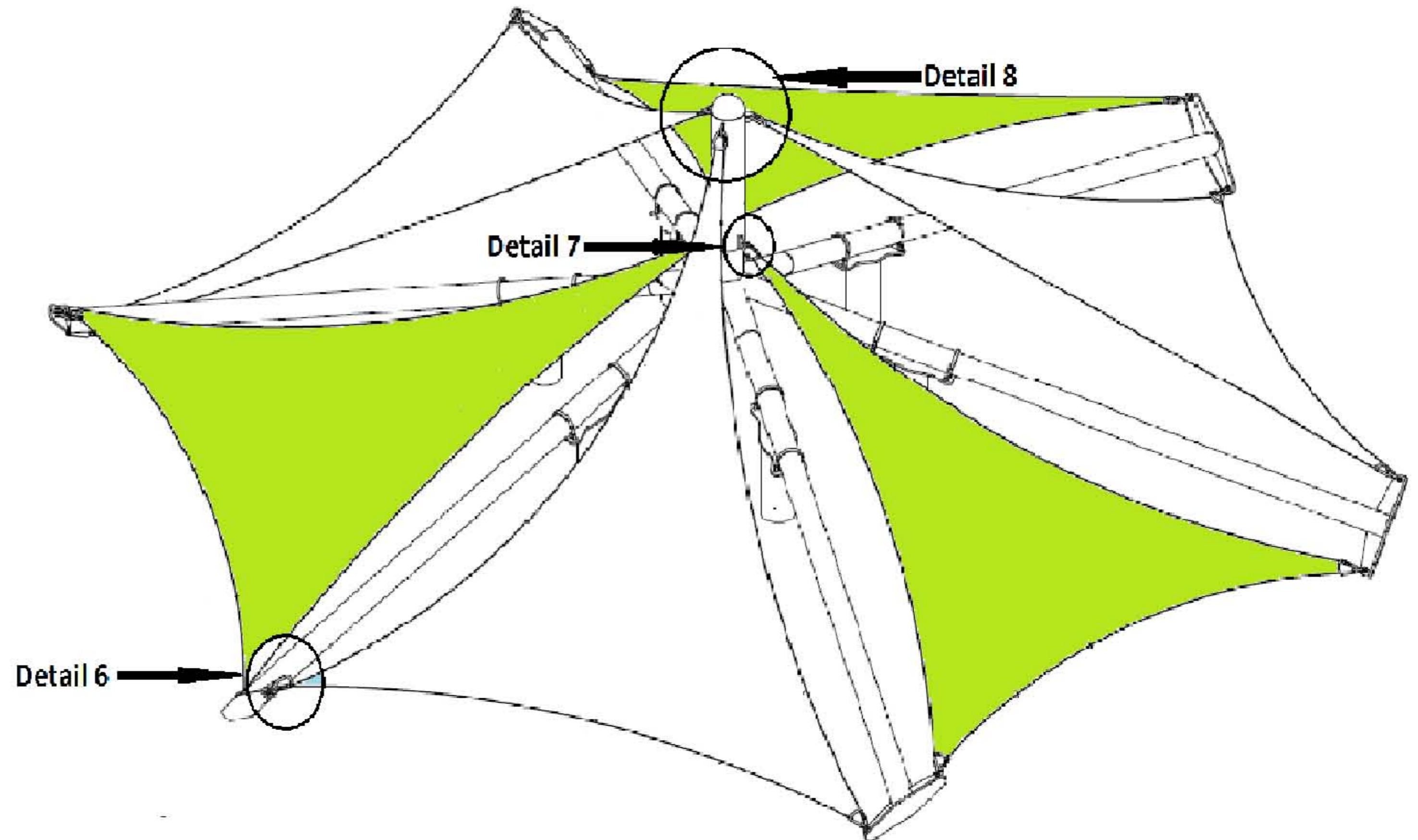
Step 4



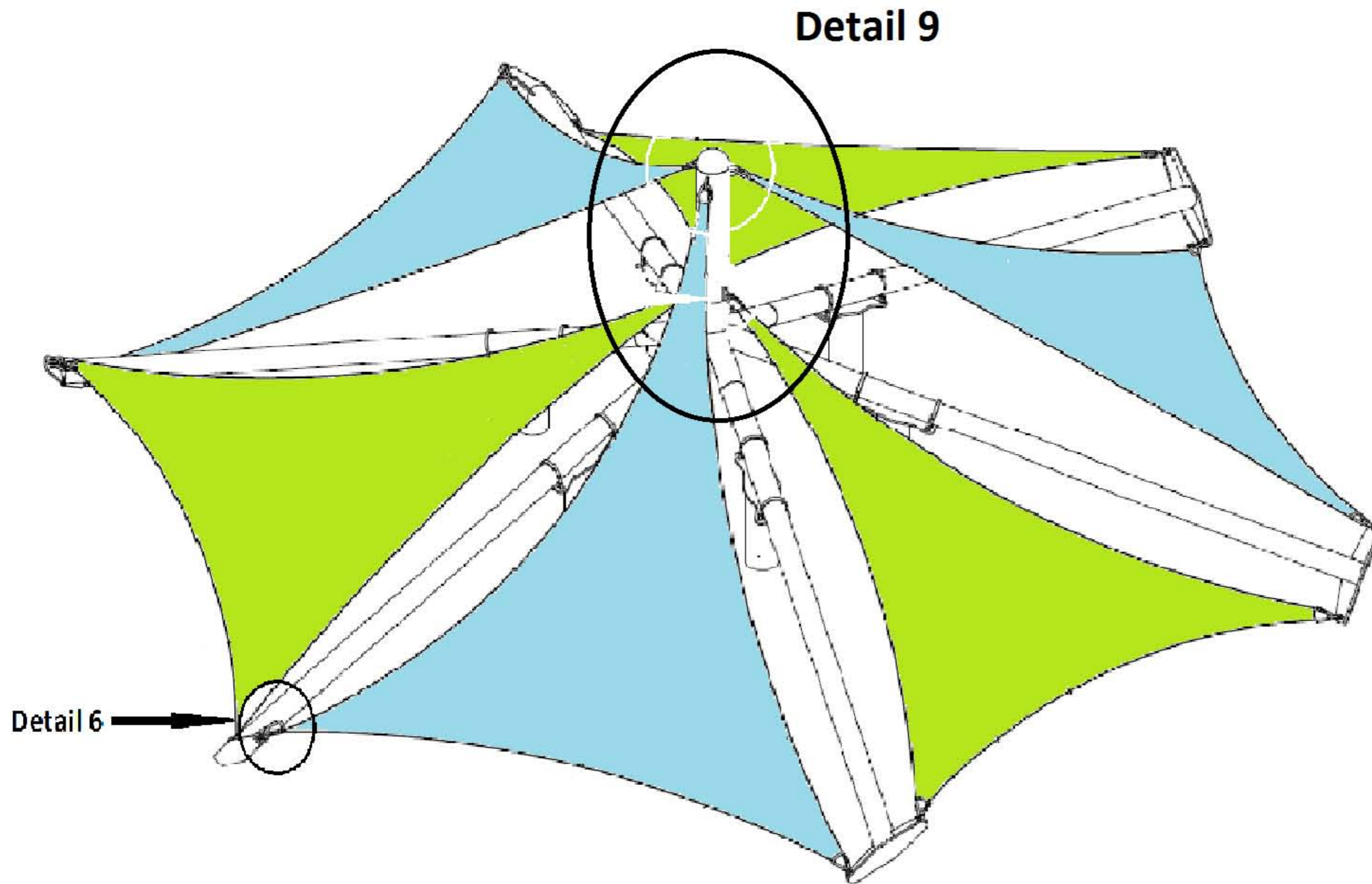
DETAIL 6
Typ 12 Places

Connect lower fabric to rafter end plates

Lower Fabric Installation



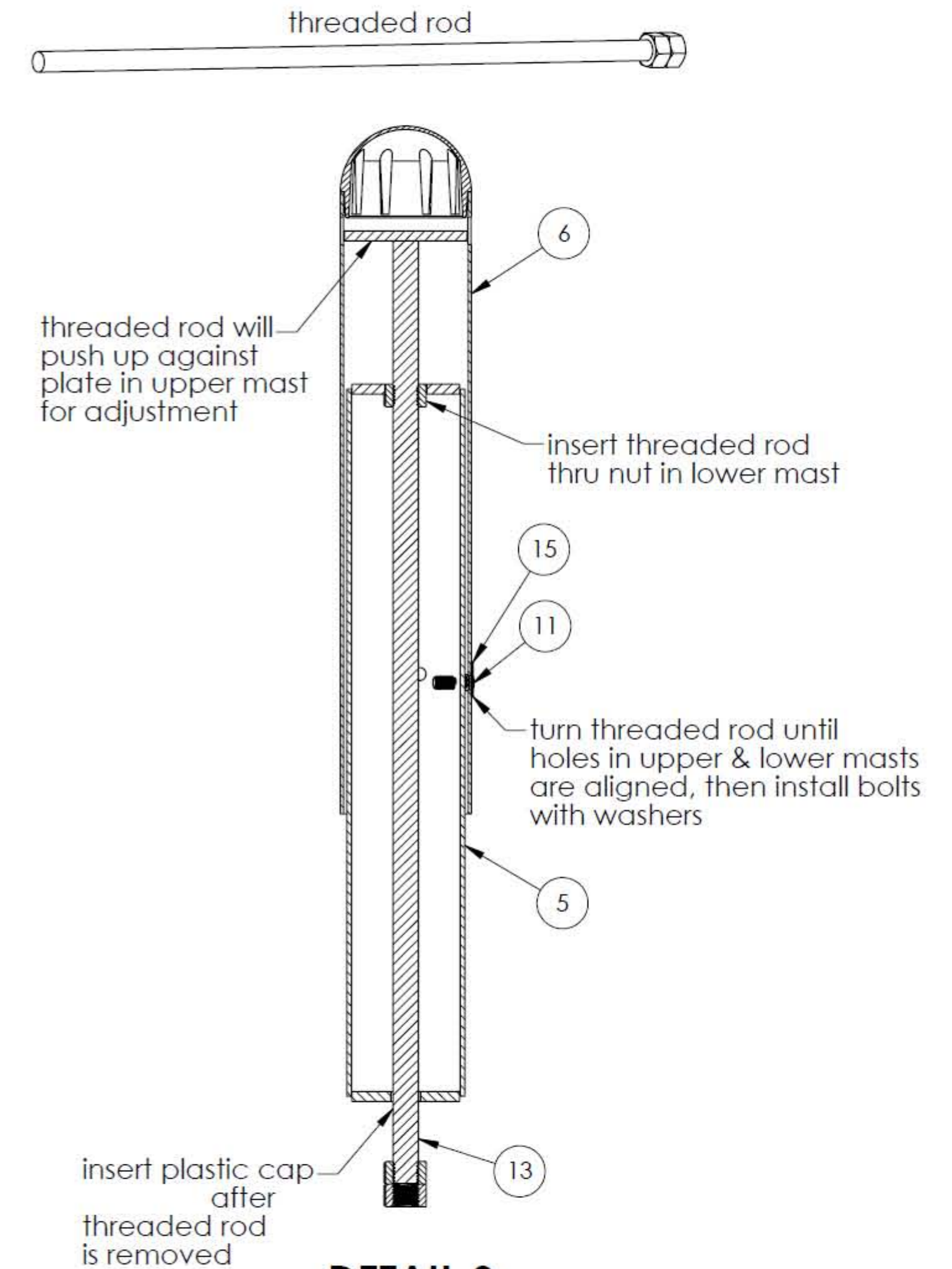
Fabric Tensioning



Detail 6

Detail 9

1. insert threaded rod thru nut in lower mast
2. turn threaded rod until holes in upper & lower masts are aligned, then install bolts with washers
3. threaded rod will push up against plate in upper mast for adjustment
4. insert plastic cap after threaded rod is removed



threaded rod

threaded rod will push up against plate in upper mast for adjustment

6

15

11

5

13

turn threaded rod until holes in upper & lower masts are aligned, then install bolts with washers

insert threaded rod thru nut in lower mast

insert plastic cap after threaded rod is removed

DETAIL 9
(section thru upper & lower masts)

Fabric Tensioning