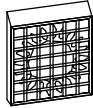
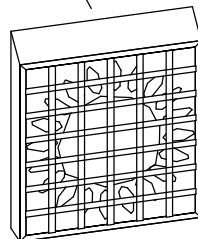
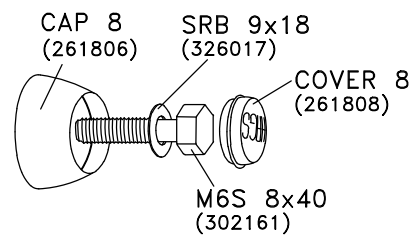
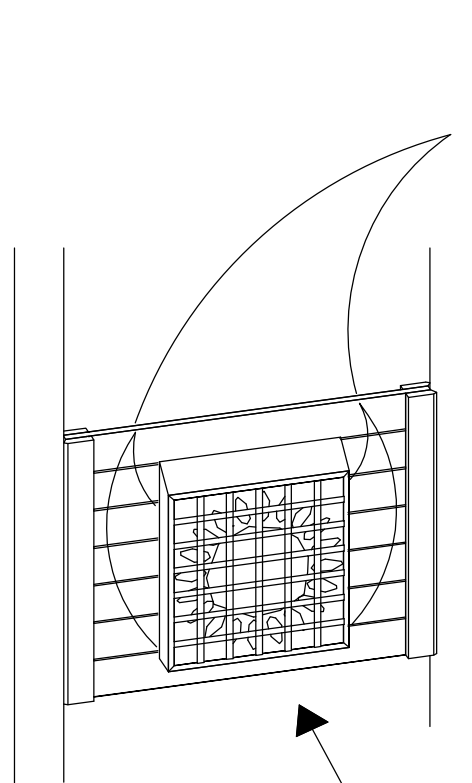




TYPE	HAGS NO.
 0,44x0,51m	410970



HAGS		ANEBY, SWEDEN	
		+46(0)380-47300	
		www.hags.com	
Picture puzzle			
420 970			
1(1)			
	TJ		0+