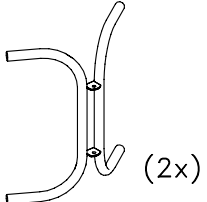
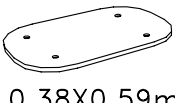
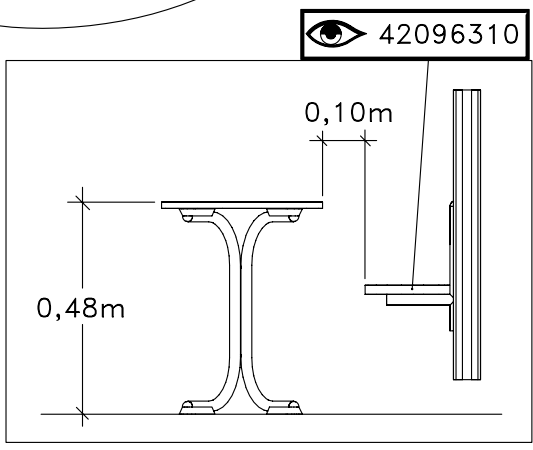
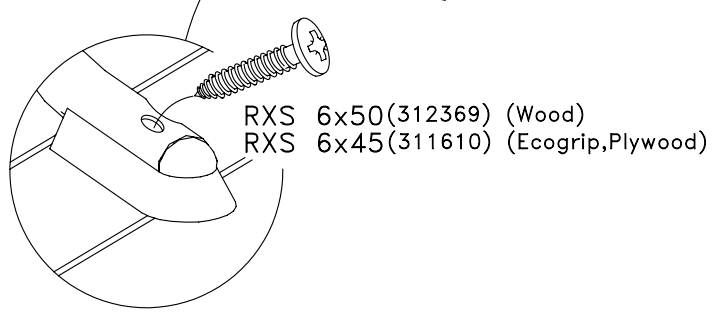
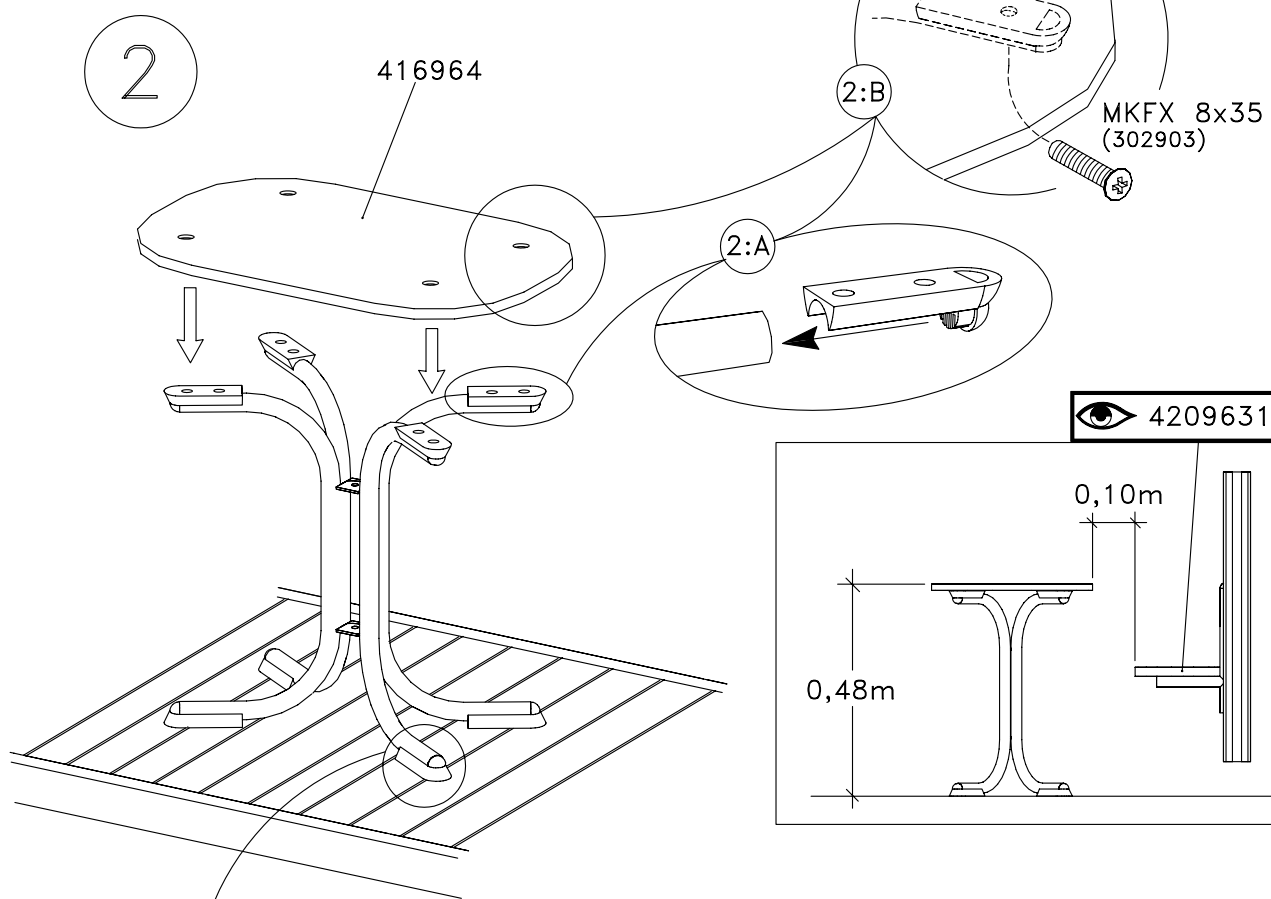




TYPE	HAGS.NO
 (2x) 0,41X0,47m	410643-02
 0,38X0,59m	416964



HAGS		ANEBY, SWEDEN +46(0)380-47300 www.hags.com	
Table			
426 964			
1(1)			
	TJ		TJ
2009-01-13		1	