

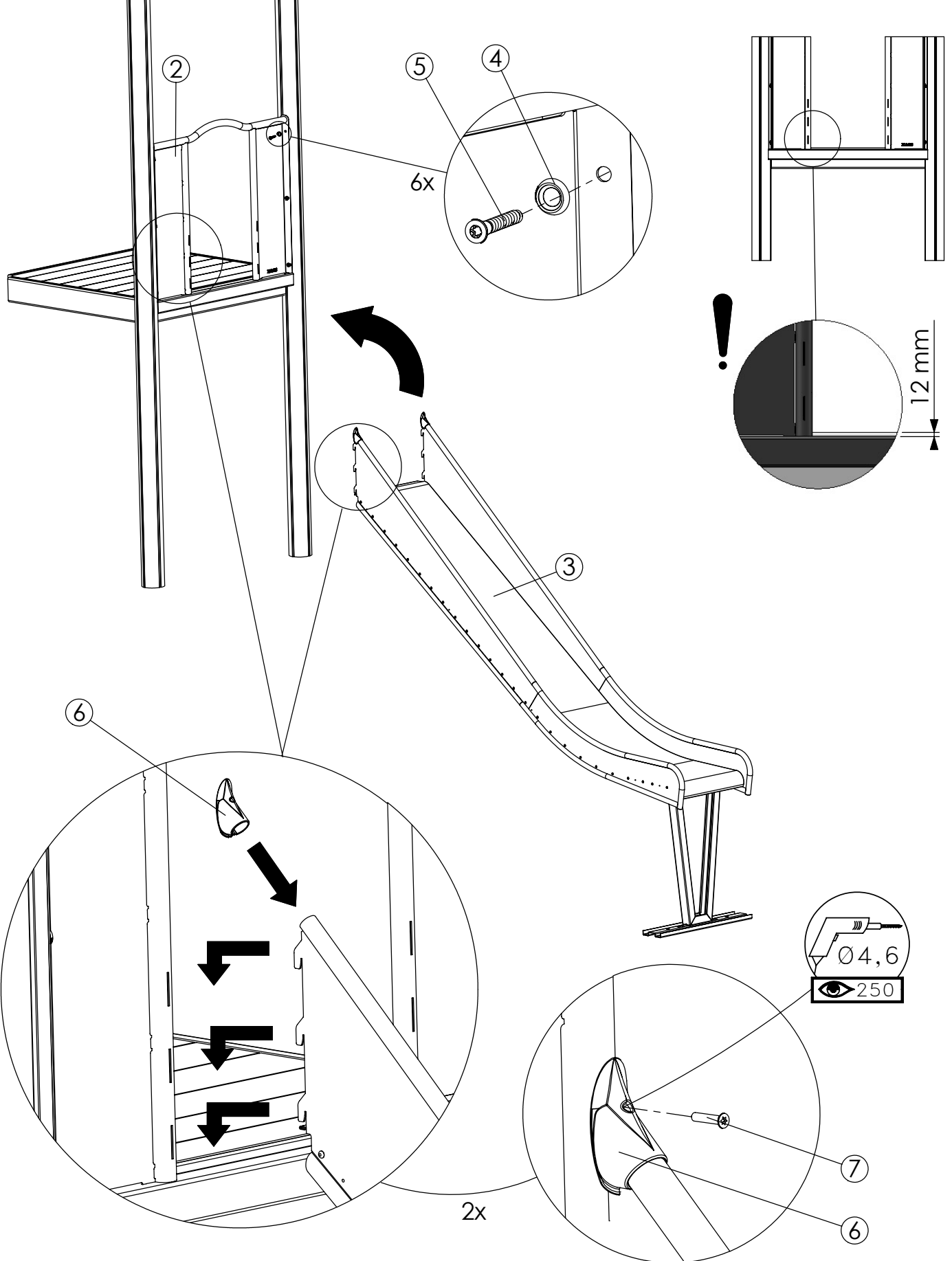
NR.	NAME/DIMENSION	ART.NR	QTY
3	2700x500 mm H=1500 mm	131733	1
8	620x121x21 mm	610071-02 / 61007110	1
9	700x380 mm	13507312	1
10	AF1231-BS-C70-M10	324806	2
11	MC6S M10x25 mm	302650	4

HAGS

ANEBY, SWEDEN
+46(0)380-47300
www.hags.com

Steelslide
423 113
1 (2)

2008-04-08 | 0



NR.	NAME/DIMENSION	ART.NR	QTY
2	830x916 mm	135051	1
3	2700x500 mm H=1500 mm	131733	1
4	Ø8 18/15 x 4,5 mm	261817	6
5	TKFT 8x60 mm	310510	6
6	80x35 mm	260222	2
7	MFT TT M5X25	312611	2

HAGS

ANEBY, SWEDEN
+46(0)380-47300
www.hags.com

Steelslide
423 113
2 (2)

TJ
 MN
 2008-04-08
 0