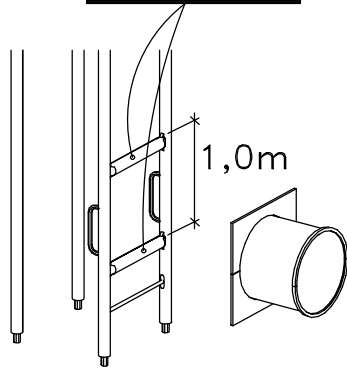


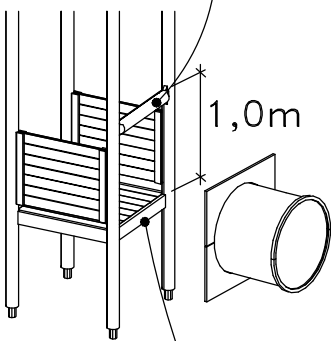
1A

42060310

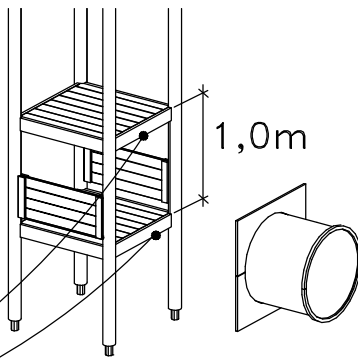



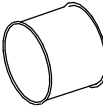
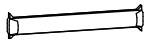
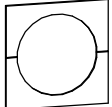
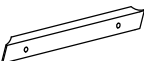
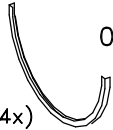
1B

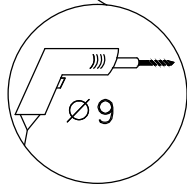
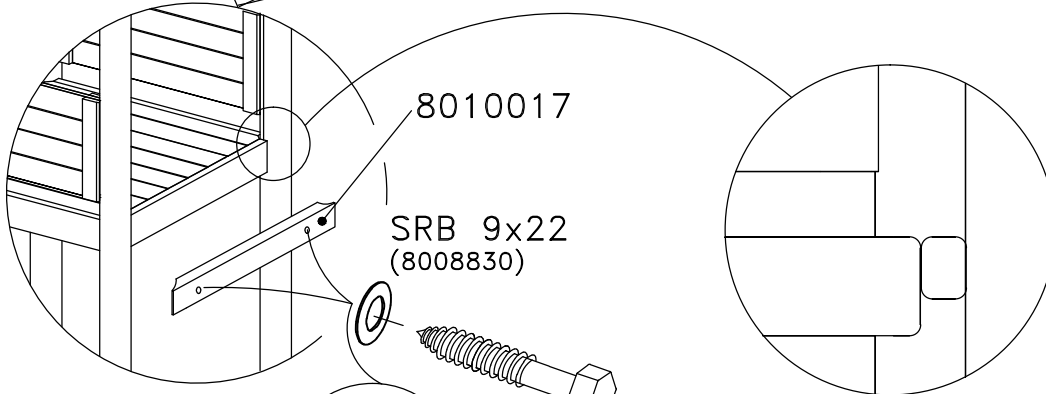
42060310



1C



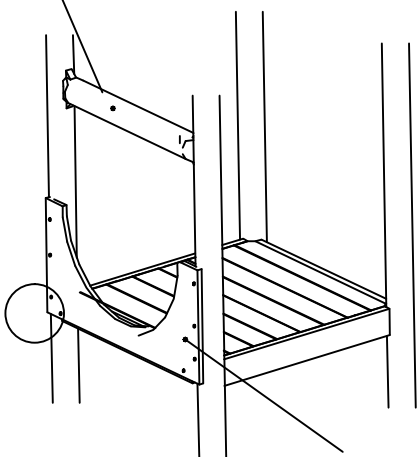
TYPE	HAGS NO.
 0,57m	8002603
 (2x) 0,66m	8002596
 0,89m	8010187 8010188
 (2x) 1,05x0,52m	8002618
 (2x) 0,91m	8010017
 (4x) 0,875	8002610



T6S 8x75
(8008628)

2

4321



8002618

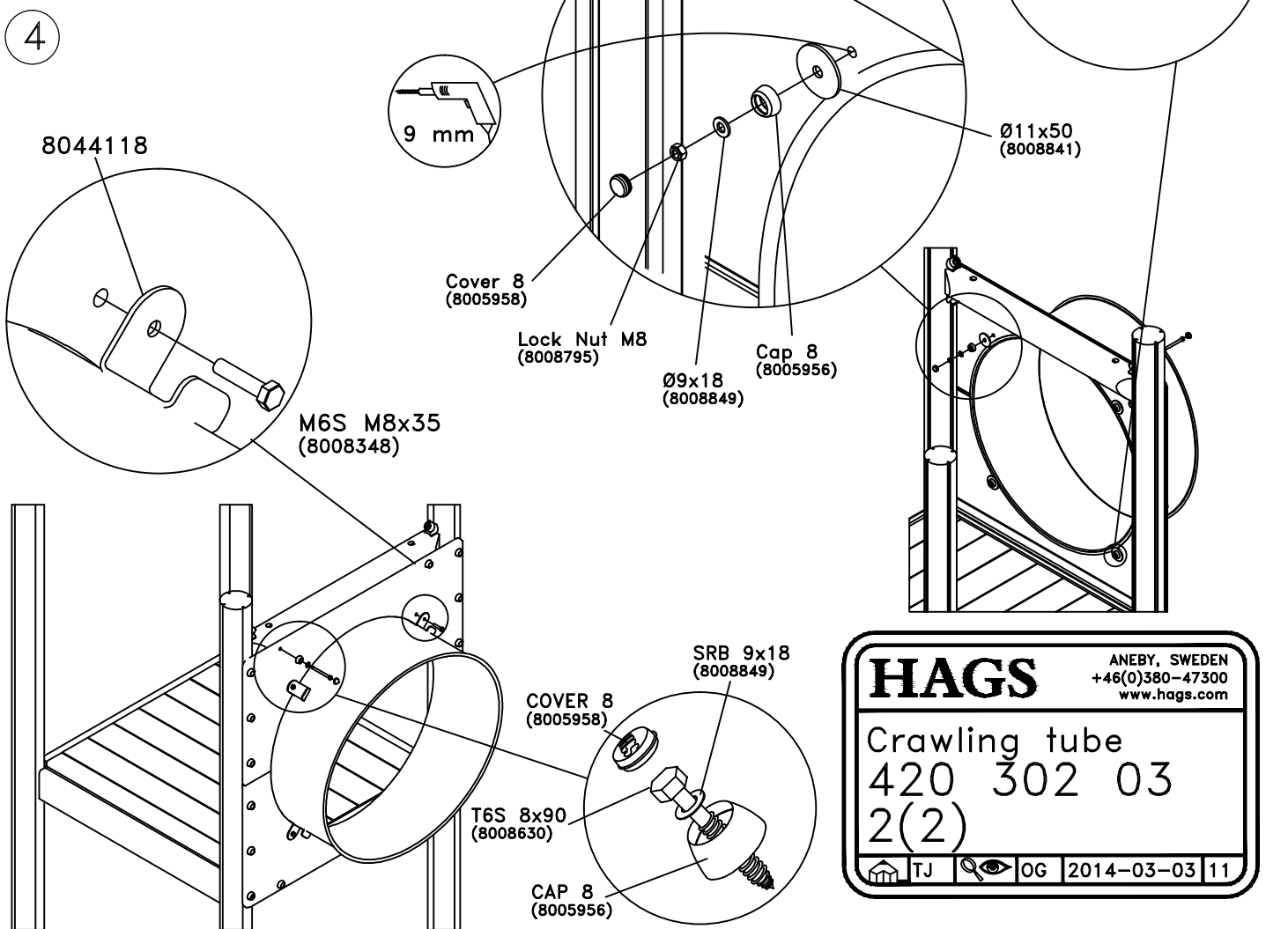
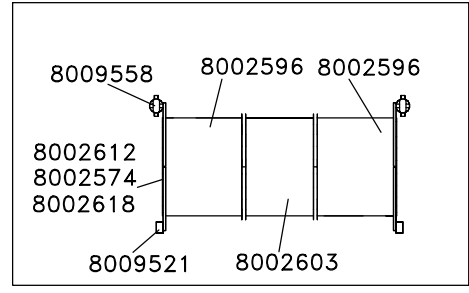
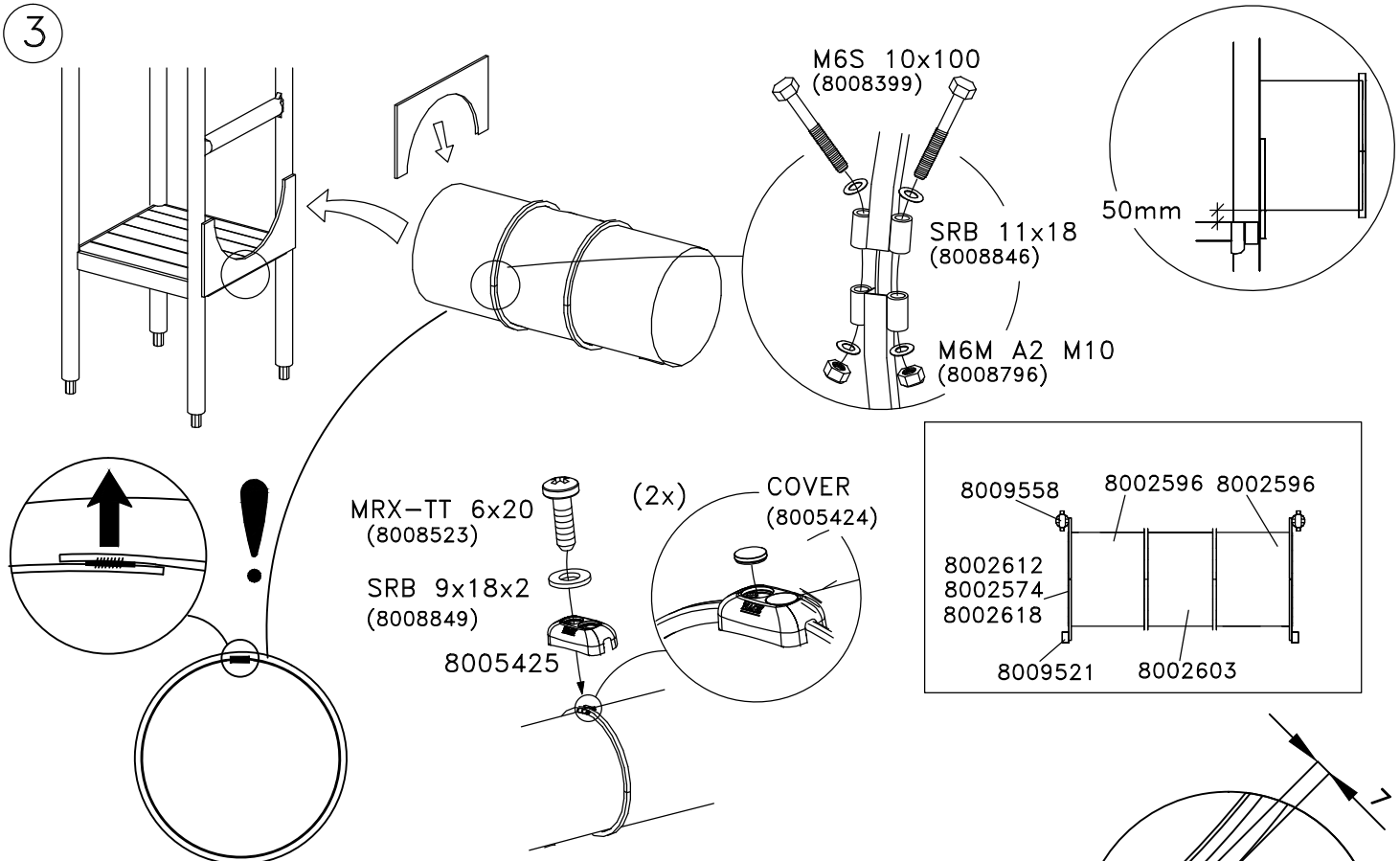
COVER 8
(8005958)
T6S 8x30
(8008630)
SRB 9x18
(8008849)
CAP 8
(8005956)

(6x)

HAGS ANEBY, SWEDEN
+46(0)380-47300
www.hags.com

Crawling tube
420 302 03
1(2)

TJ OG 2014-03-03 11



HAGS		ANEBY, SWEDEN	
		+46(0)380-47300	
		www.hags.com	
Crawling tube			
420 302 03			
2(2)			
	TJ		OG
		2014-03-03 11	