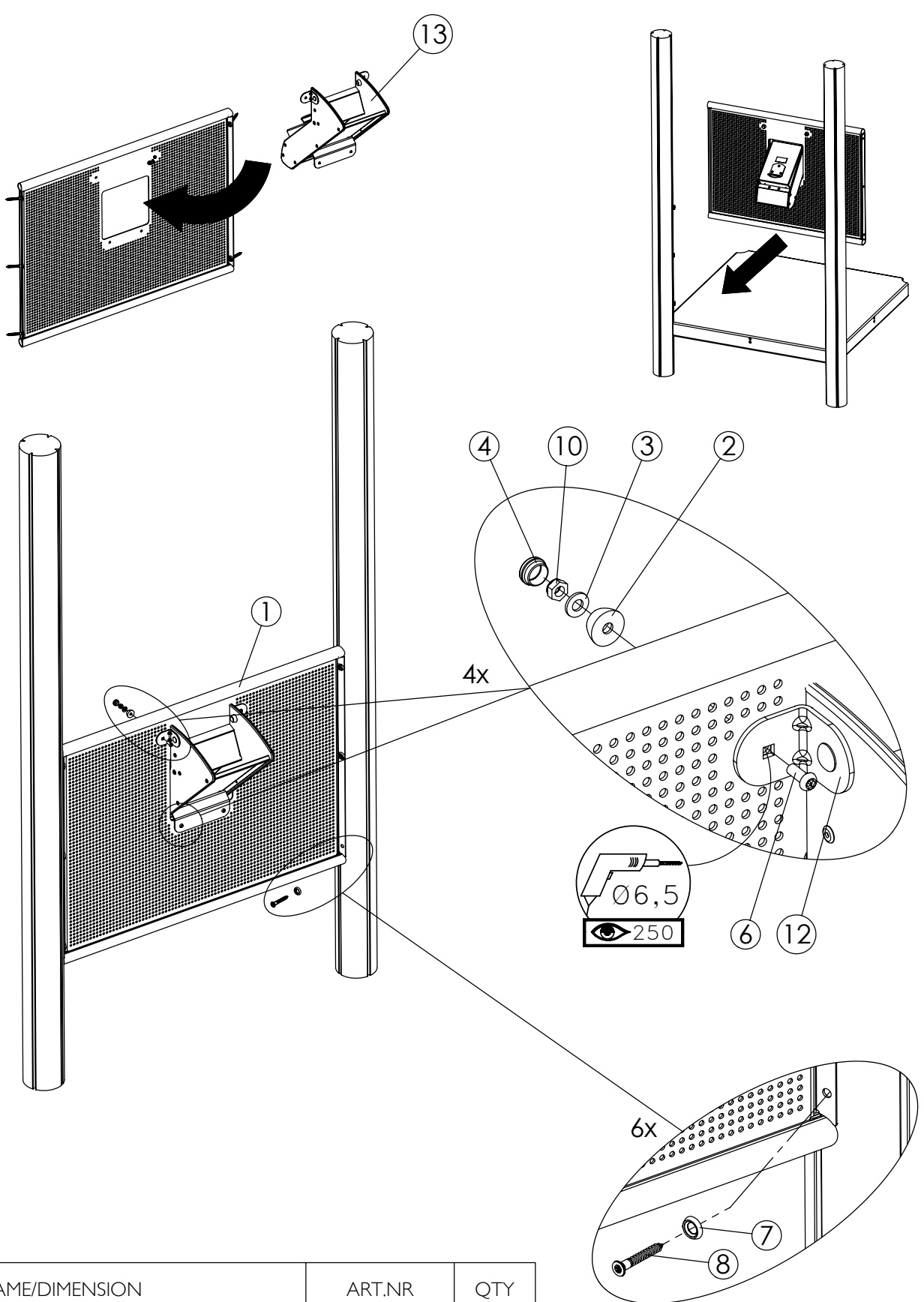


NR.	NAME/DIMENSION	ART.NR	QTY
2	CAP 6 Ø6,5x21 mm	261800	6
3	FZB Ø6,4x14x1,5 mm	326016	6
4	COVER 6 Ø13,8x7 mm	261801	6
9	MVBF M6x20 mm	304551	2
10	M6M A2 M6	324101	6
11	46x46x40 mm	086941	2
12	518x180 mm	418821	1

HAGS ANEBY, SWEDEN
+46(0)380-47300
www.hags.com

Sand hopper
420 801 10
1 (2)



NR.	NAME/DIMENSION	ART.NR	QTY
1	896x700 mm	41080110	1
2	CAP 6 Ø6,5x21 mm	261800	6
3	FZB Ø6,4x14x1,5 mm	326016	6
4	COVER 6 Ø13,8x7 mm	261801	6
6	K6S NV5 M6x15	302480	4
7	Ø8 18/15 x 4,5 mm	261817	6
8	TKFT 8x60 mm	310510	6
10	M6M A2 M6	324101	6
12	46x46x40 mm	086941	2
13	518x180 mm	418821	1

HAGS ANEBY, SWEDEN
+46(0)380-47300
www.hags.com

Sand hopper
420 801 10
2 (2)

TJ
 MN
 2008-04-03
 0