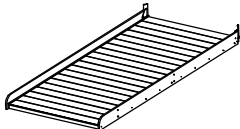
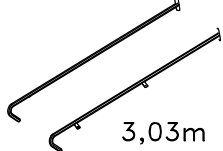



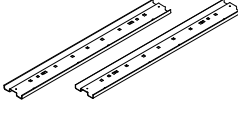
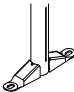
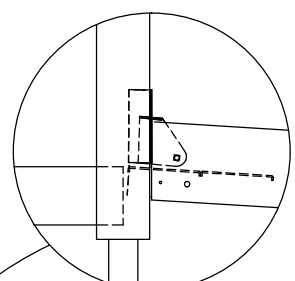
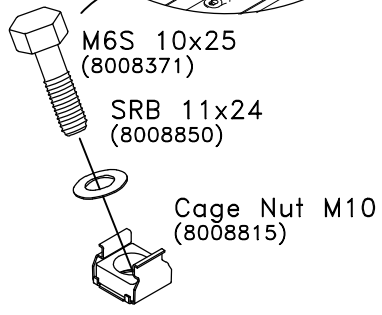
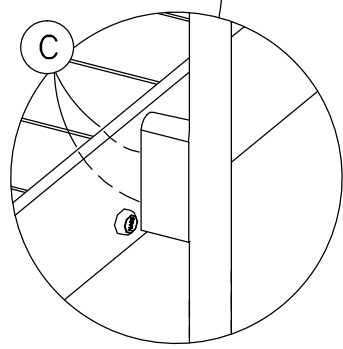
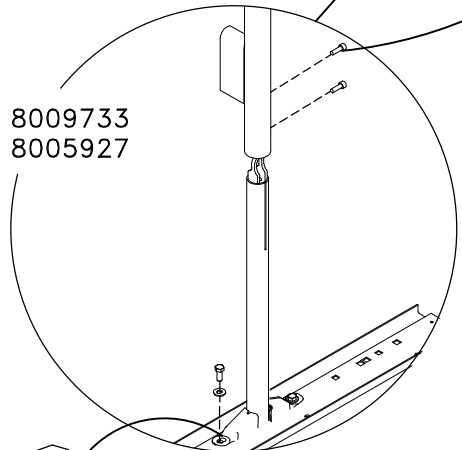
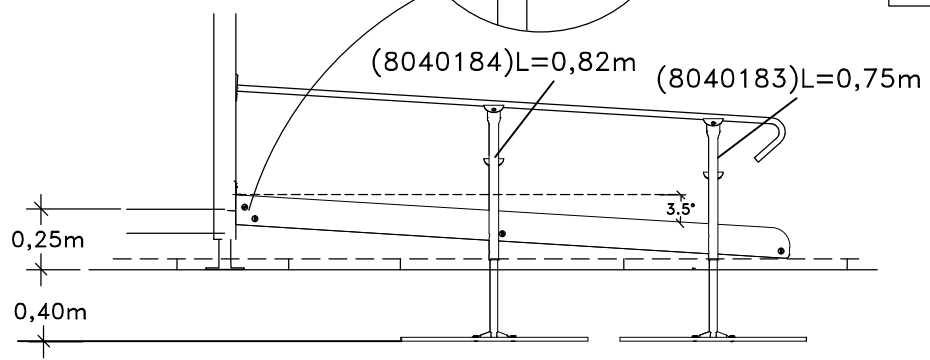


TYPE	HAGS.NO
 1,35x3,03m	8010177
 3,03m	8009514 8009515
 0,75m (2x)	8040183
 0,82m (2x)	8040184
	8009517 8009518
	8013167
	8009733

8009733
8005927



A	TKFT 8x60 (8008646)	18/15x4,5 (8005966)
B	MVBF 10x25 (8008589)	CAP 10 (8005961) M6M A2 M10 (8008796) SRB 11x24 (8008850) COVER 10 (8005963)
C	COVER 10 (8005963) M6S 10x50 (8008380)	SRB 11x24 (8008850) CAP 10 (8005961)
D	MVBF 10x35 (8008592)	CAP 10 (8005961) M6M A2 M10 (8008796) SRB 11x24 (8008850) COVER 10 (8005963)



HAGS ANEBY, SWEDEN
+46(0)380-47300
www.hags.com

Ramp
42075510
1(1)

TJ DN 2013-10-30 2