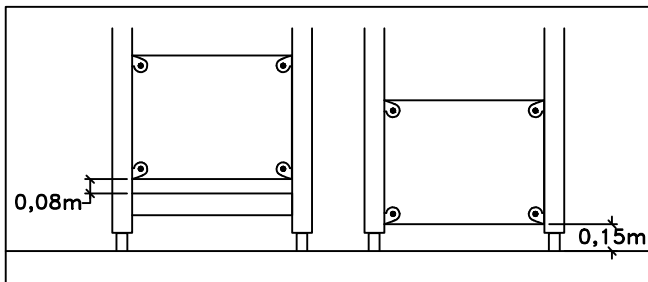
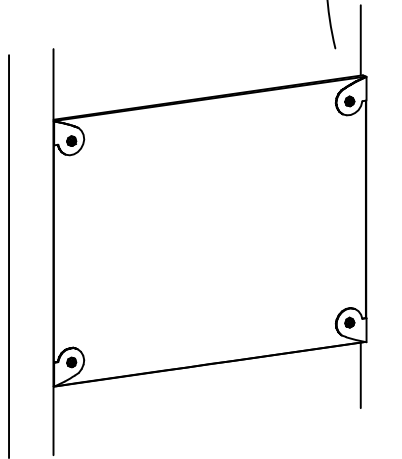
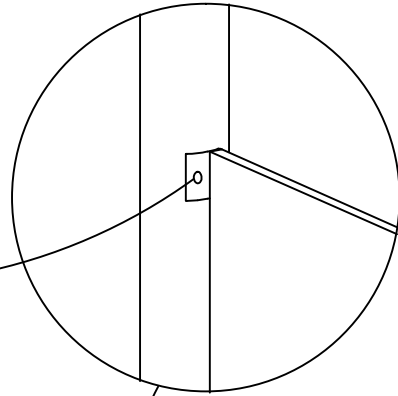
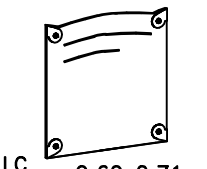
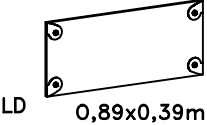
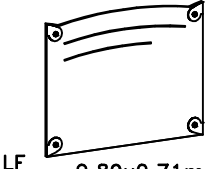
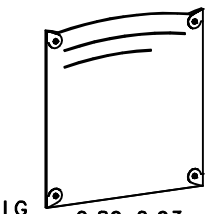
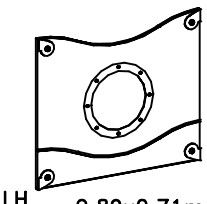
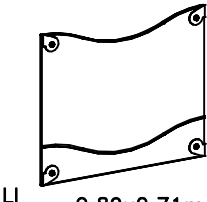
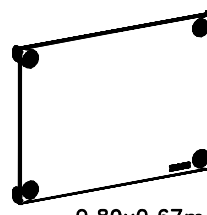


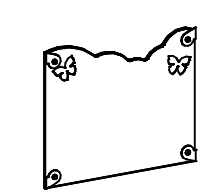
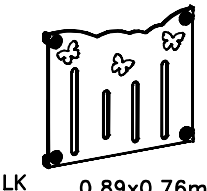
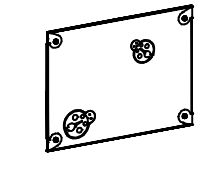
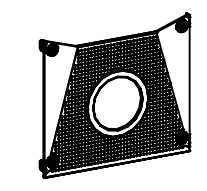
MAX 400rpm

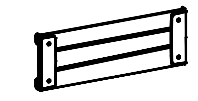
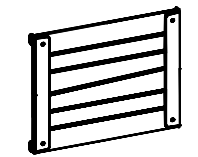
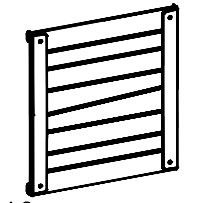
Screw thr-forming
M8x25-8.8-(ISO7380)
(8008506)



HAGS		ANEBY, SWEDEN	
		+46(0)380-47300	
		www.hags.com	
HPL Screen - Steel Post			
ST4203			
1(2)			
	JS		ToB 2017-09-06 7

TYPE	HAGS NO
 LC 0,60x0,71m	418201
 LD 0,89x0,39m	418202 8028244
 LF 0,89x0,71m	418203 418213
 LG 0,89x0,93m	418204
 LH 0,89x0,71m	8027807
 LI 0,89x0,71m	8027806
 0,89x0,67m	8066206

TYPE	HAGS NO
 LJ 0,89x0,76m	8028623
 LK 0,89x0,76m	8028585
 LL 0,89x0,68m	8028305
 LN 0,89x0,78m	8028897

TYPE	HAGS NO
 LO 0,89x0,32m	8052400 8052401 8052402
 LP 0,89x0,68m	8052406 8052407 8052408
 LQ 0,89x0,93m	8052413 8052414 8052415

HAGS ANEBY, SWEDEN
+46(0)380-47300
www.hags.com

HPL Screen - Steel Post
ST4203
2(2)

JS ToB 2017-09-06 7