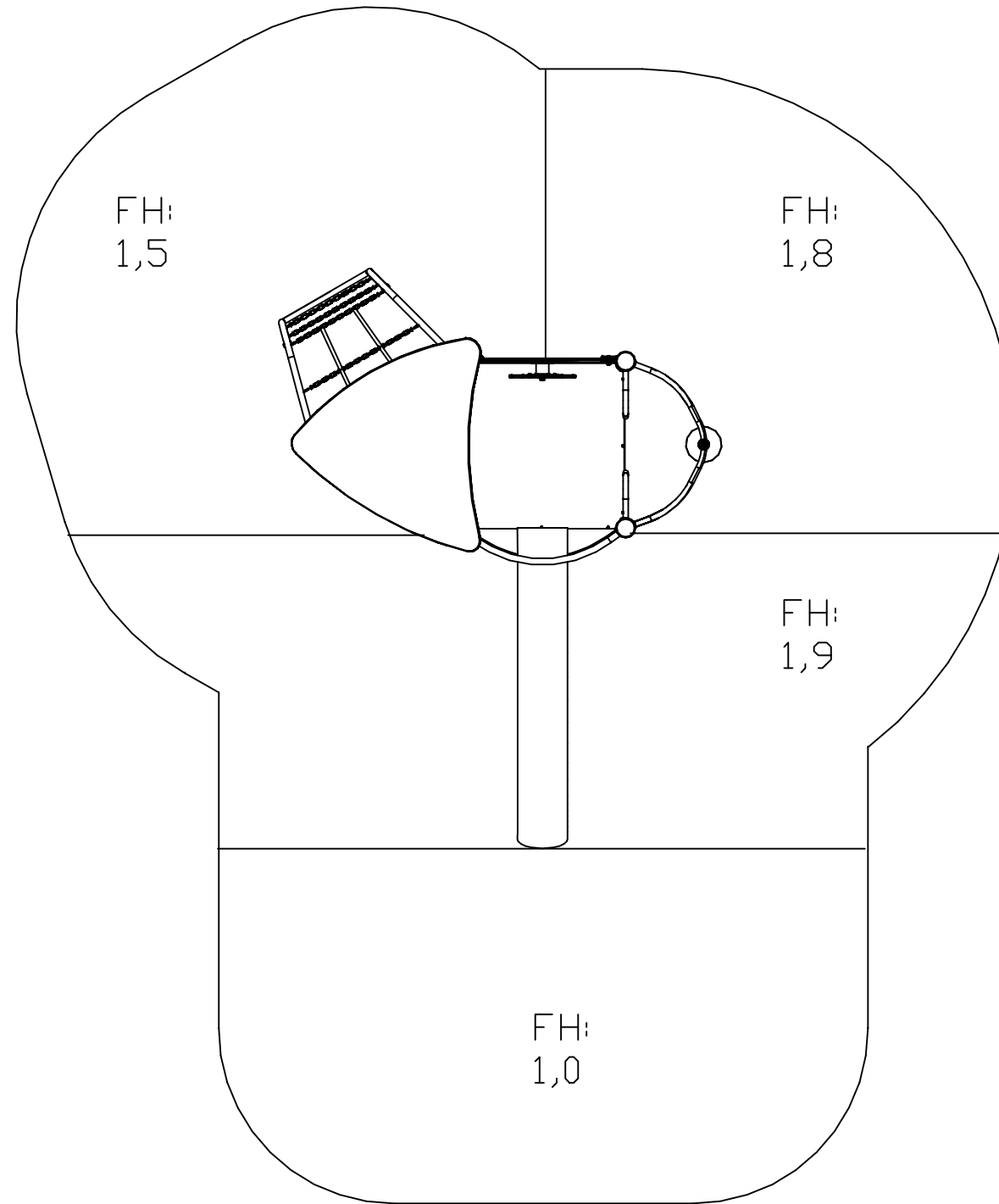
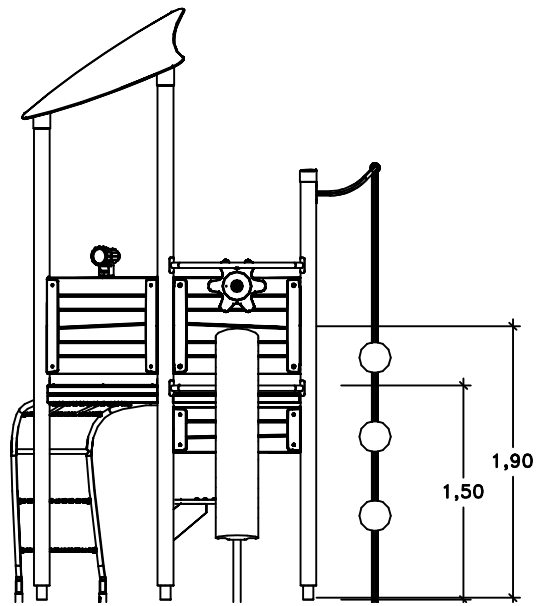
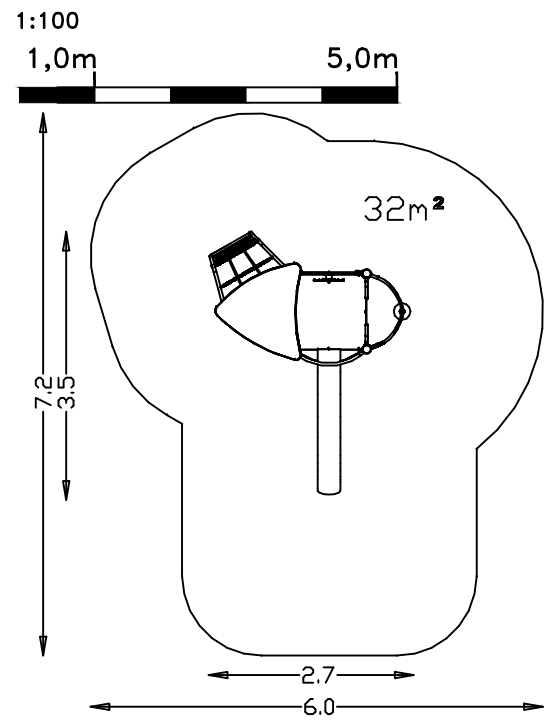


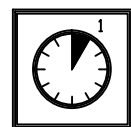
UniPlay Crox



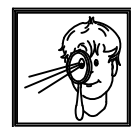
HAGS ANEBY, SWEDEN
+46(0)380-47300
www.hags.com

UniPlay Crox
8059994
1/5

JN EF 2016-11-15 1



16h



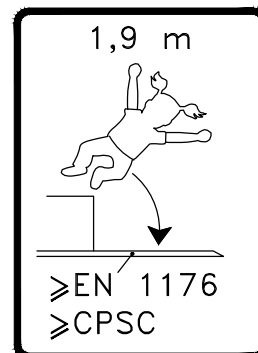
Varje vecka
Every week
Jede woche
Chaque semaine



Varje säsong
Every season
Jedes Jahr
Chaque saison

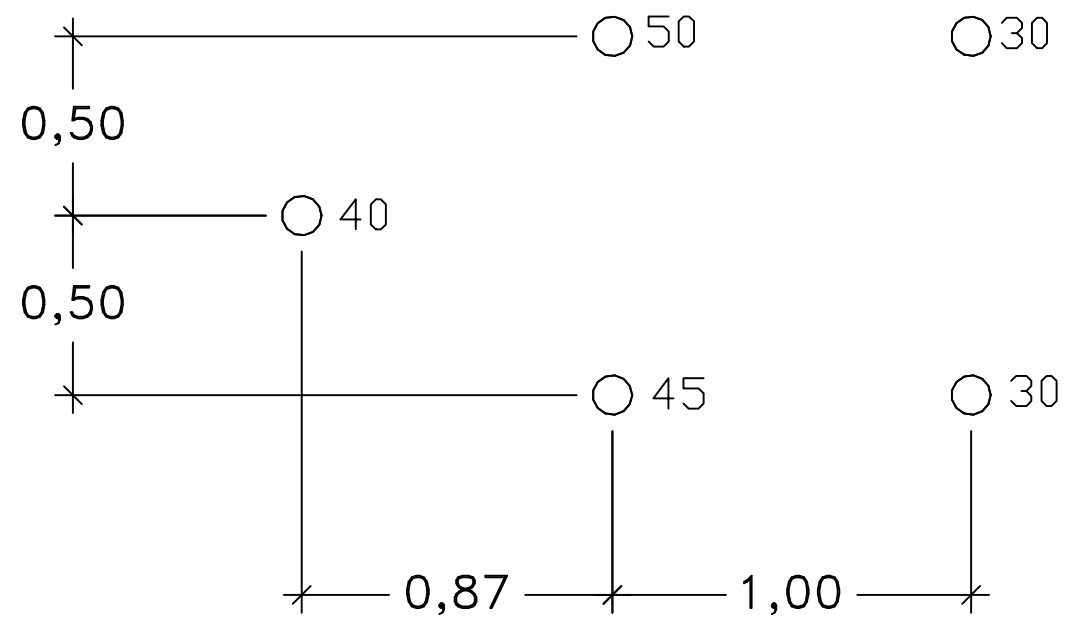
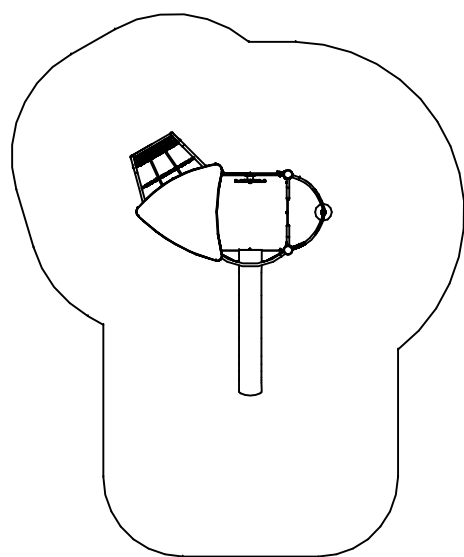
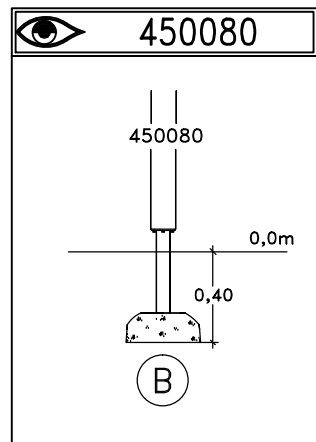


5-12



Step by Step UniPlay

UniPlay Crox
 8059994
 SE 1(3)



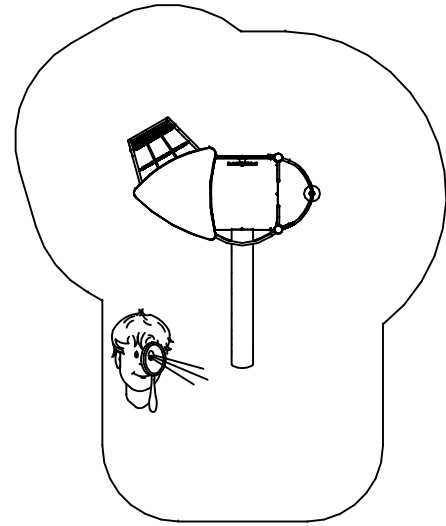
30	=	L: 2900
40	=	L: 3200
45	=	L: 3500
50	=	L: 3800

HAGS ANEBY, SWEDEN
+46(0)380-47300
www.hags.com

UniPlay Crox
8059994
2/5

🏠 JN 🔍 👁 EF 2016-11-15 1

STEP 1



MASW53817

+1,50
X2

MASW39775

X2

MASW53793

60mm

LO

LP

ST4203

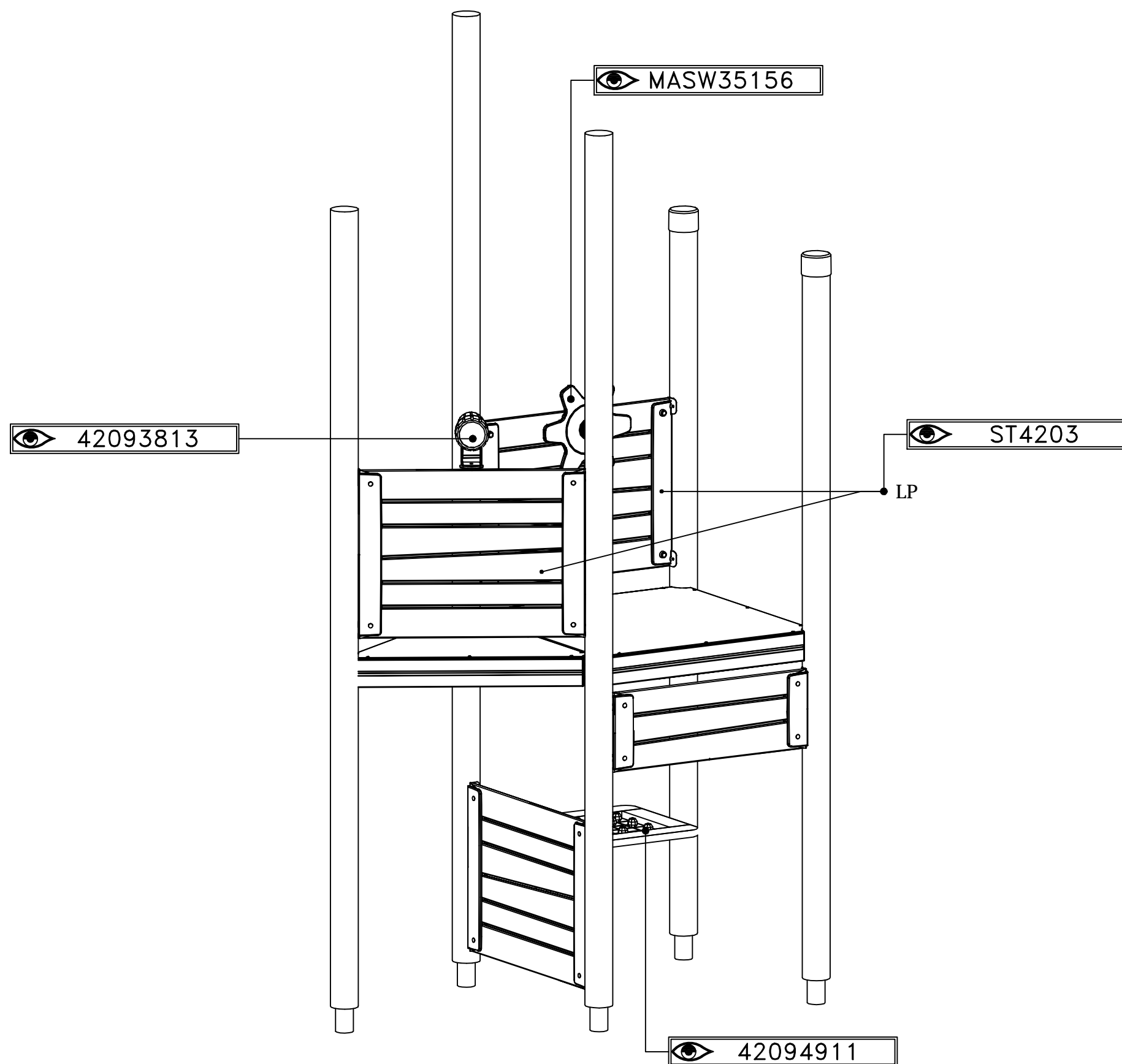
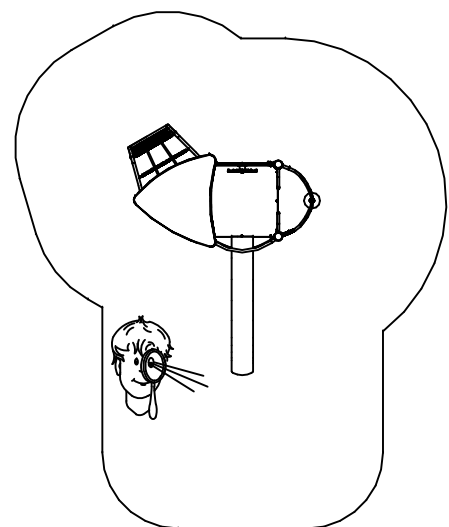
x2



HAGS ANEBY, SWEDEN
+46(0)380-47300
www.hags.com

UniPlay Crox
8059994
3/5

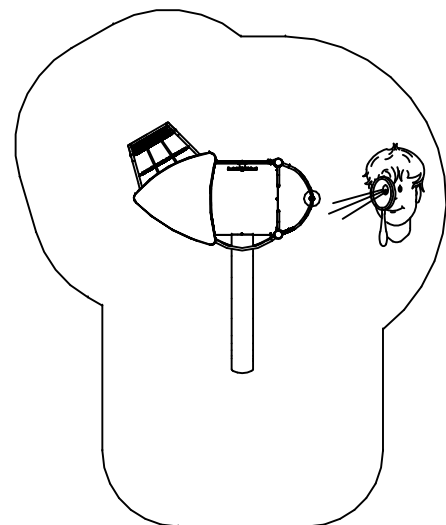
🏠 JN 🔍 👁 EF 2016-11-15 1

STEP 2



HAGS		ANEBY, SWEDEN	
		+46(0)380-47300	
		www.hags.com	
UniPlay Crox			
8059994			
4/5			
	EF		EF
2016-11-15		1	

STEP 3



MASW38904

MASW39102

MASW37447

45077151

HAGS

ANEBY, SWEDEN
+46(0)380-47300
www.hags.com

UniPlay Crox
8059994
5/5