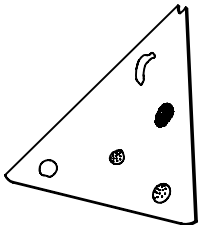
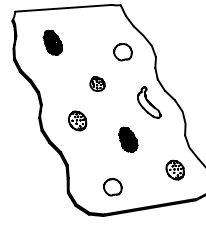
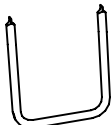

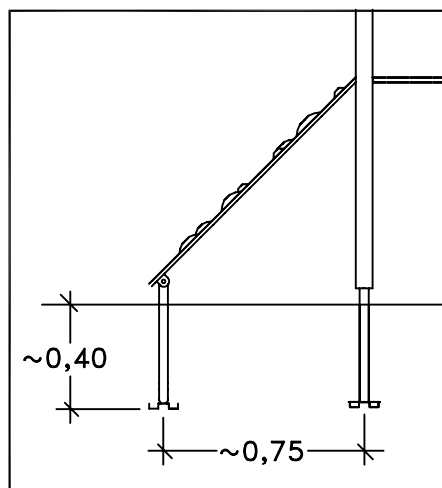
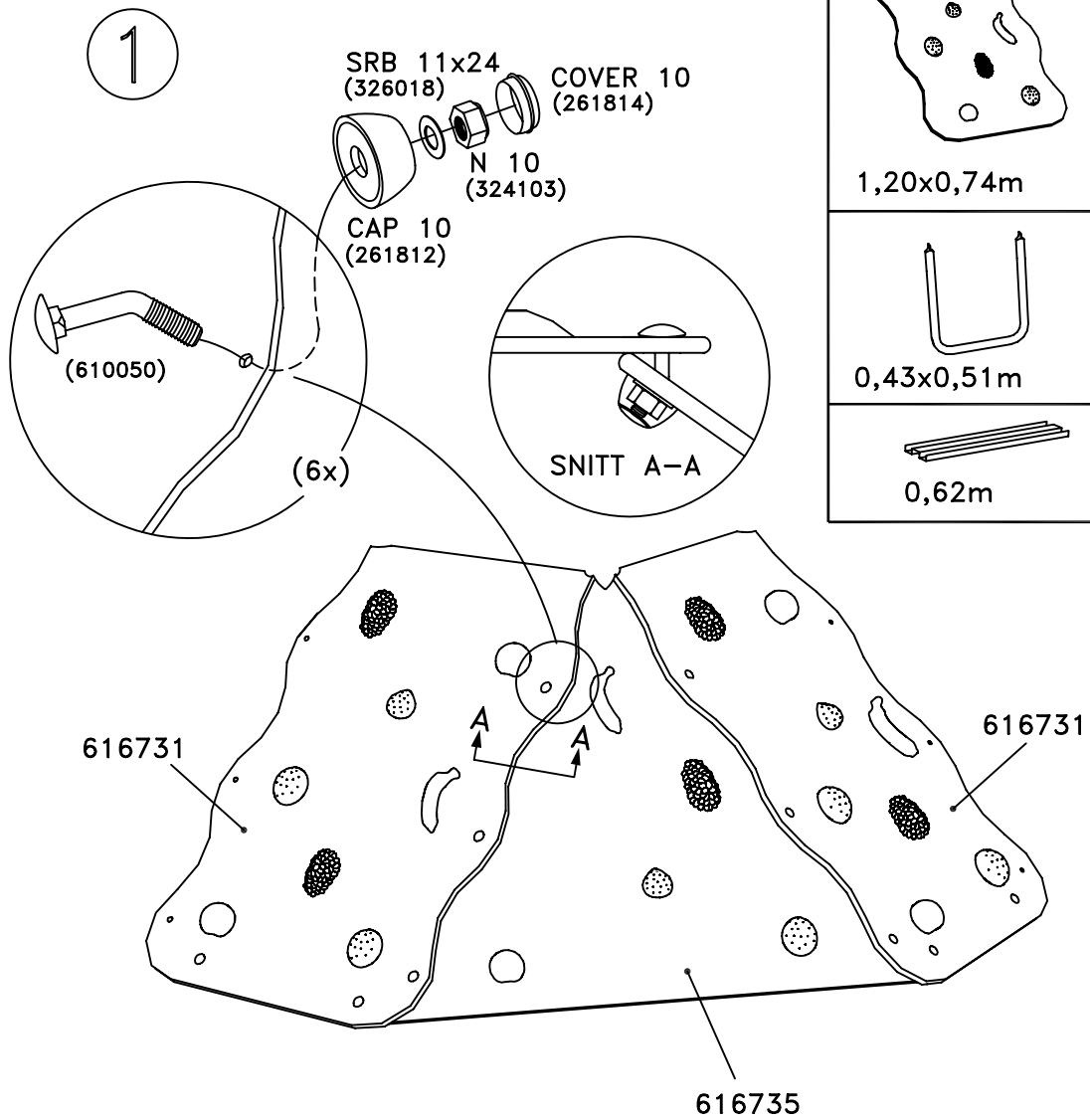
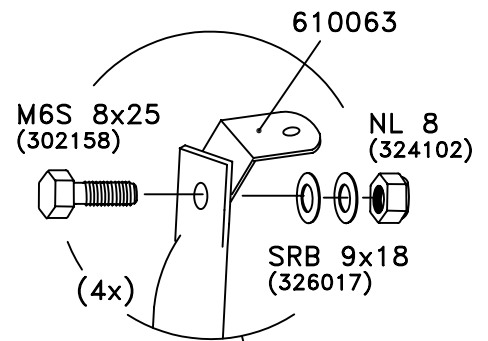
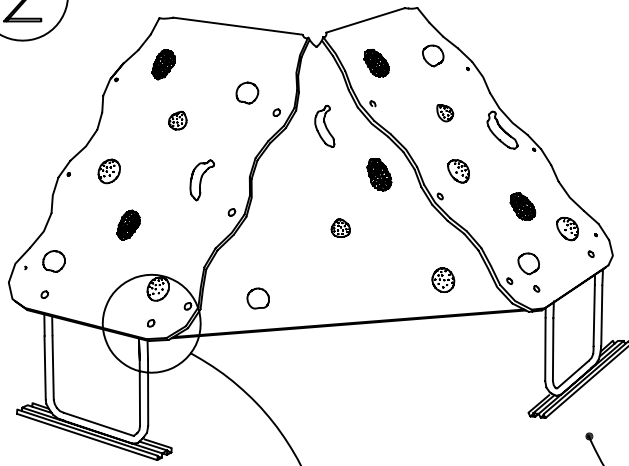


TYPE	HAGS.NO
 0,97x1,16m	616735
 1,20x0,74m	616731 (2x)
 0,43x0,51m	610066
 0,62m	610071-02

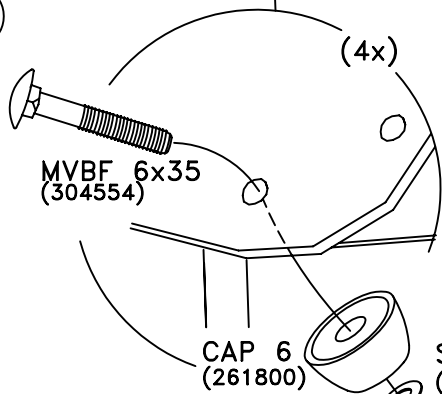


HAGS		ANEBY, SWEDEN +46(0)380-47300 www.hags.com	
Climbing Wall			
6732 10			
1(3)			
	ACJ		TJ
2009-08-25		1	

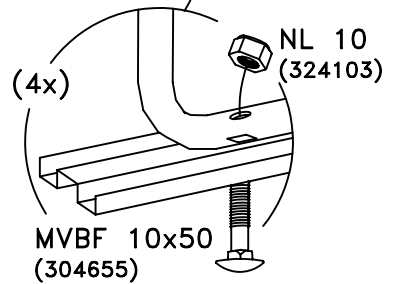
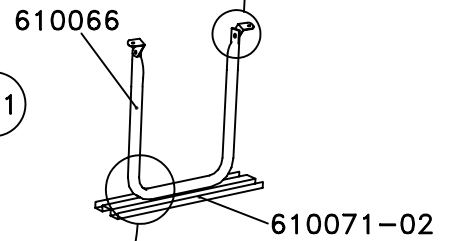
2



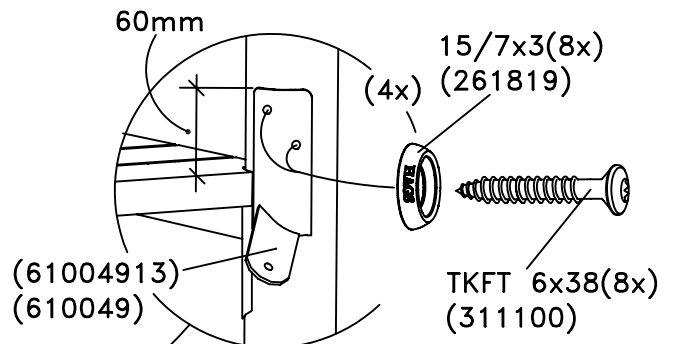
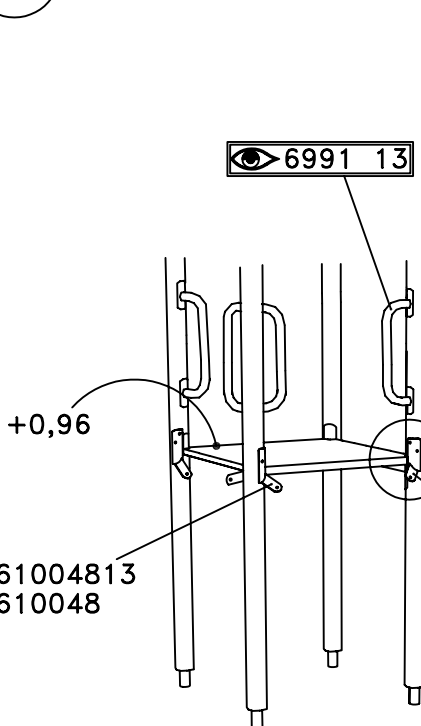
2:2



2:1

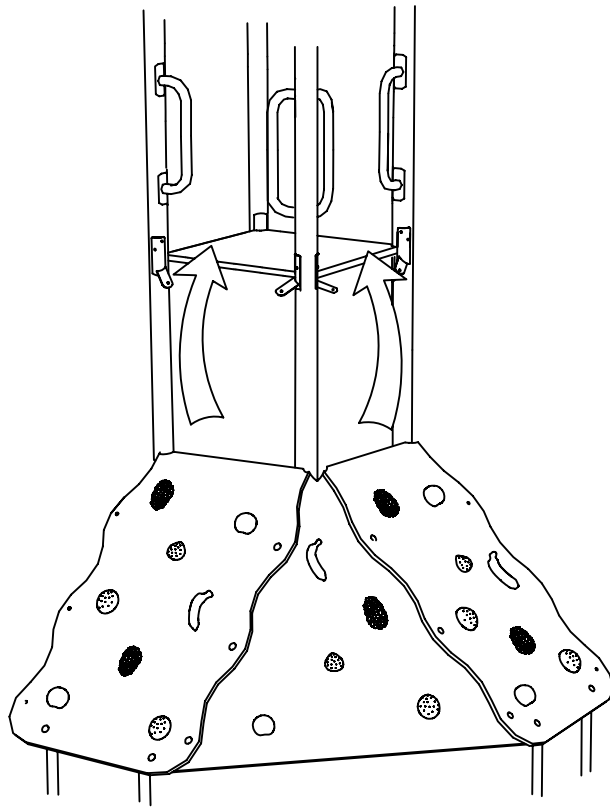


3

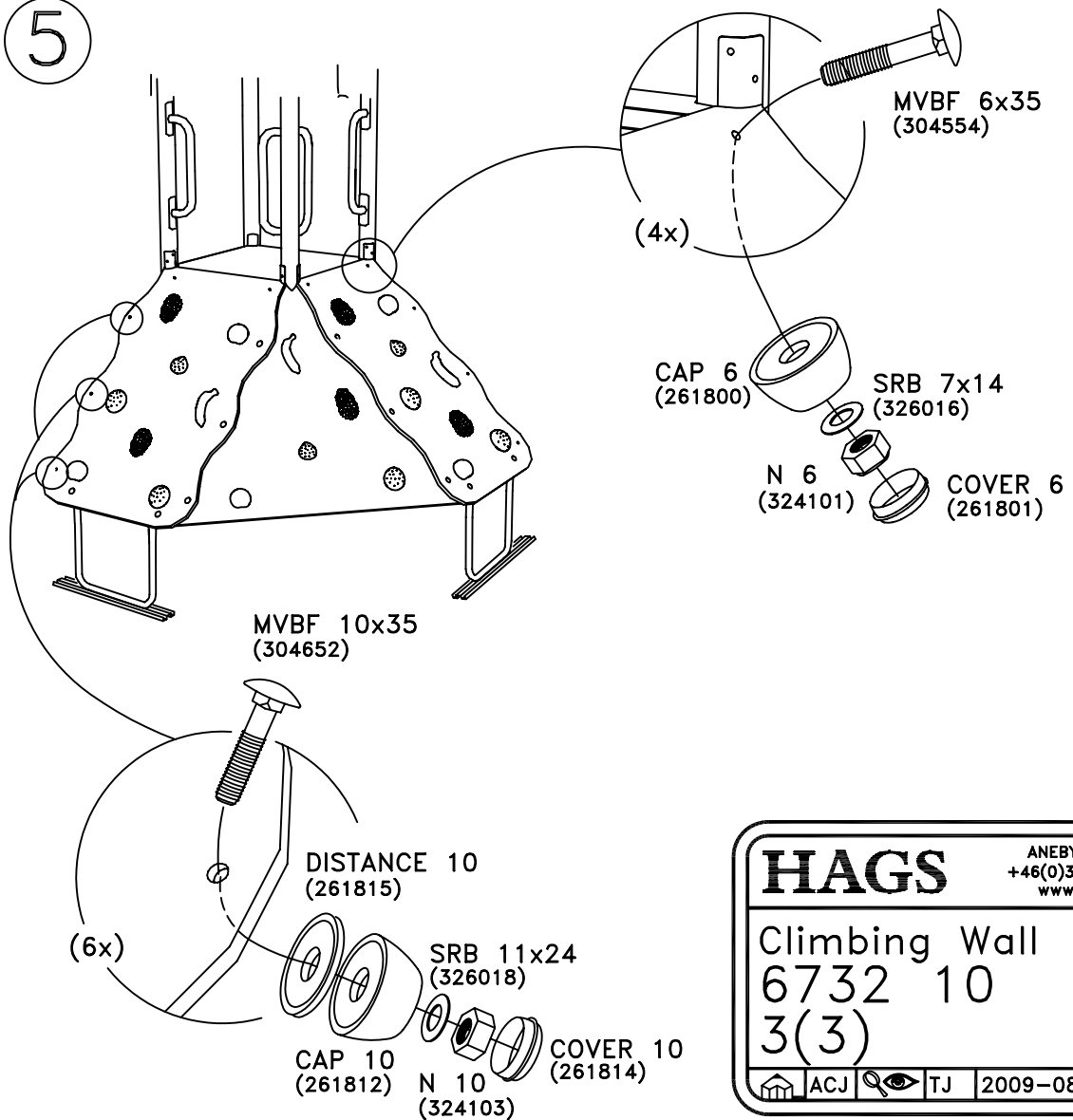


HAGS		ANEBY, SWEDEN	
		+46(0)380-47300	
		www.hags.com	
Climbing Wall			
6732 10			
2(3)			
	ACJ		TJ
2009-08-25		1	

4



5



HAGS		ANEBY, SWEDEN	
		+46(0)380-47300	
		www.hags.com	
Climbing Wall			
6732 10			
3(3)			
	ACJ		TJ
			2009-08-25 1