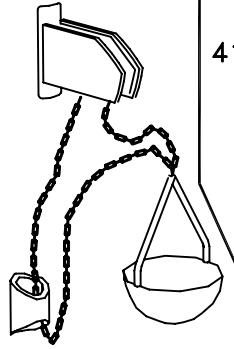
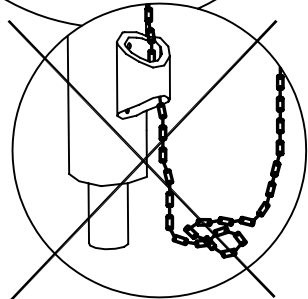
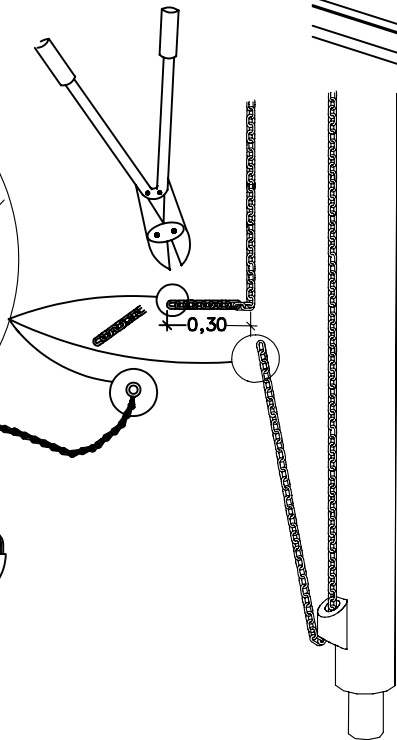
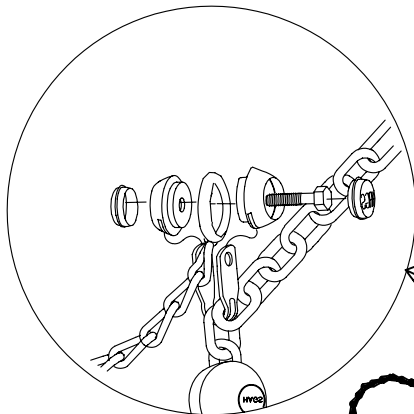
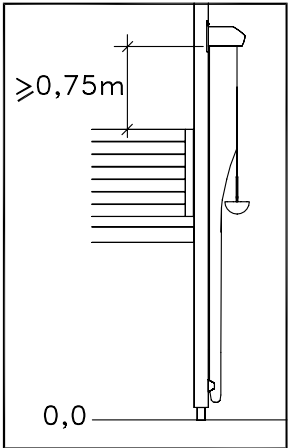

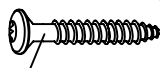








TYPE	HAGS.NO
	410816-02



<p>A</p> <p>COVER 6 (261801)</p> 	<p>SRB 6x14 (326016)</p> 	<p>TKFT 6x50 (311102)</p> 	<p>CAP 6 (261803)</p> 
<p>B</p> <p>FXS 6x45 (311610)</p> 	<p>PLB (260469)</p> 		

HAGS		ANEBY, SWEDEN	
		+46(0)380-47300	
		www.hags.com	
Elevator Head			
6816			
1(1)			
	ACJ		TJ
2010-01-12		6	