
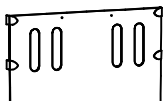


TYPE	HAGS.NO
 1,27x0,69m	61825201 61825204
 1,27x1,06m	61825301 61825304 618253-02

COVER 6
(261801)

SRB 7x14
(326016)

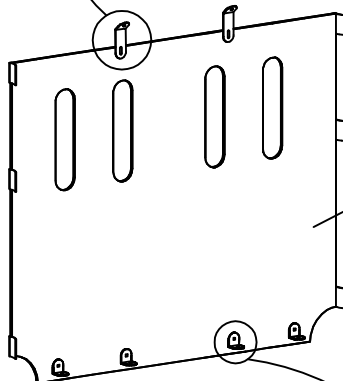
NL 6
(324101)

CAP 6
(261800)

ALT.1
61062913
610629

(2x)

MVBF 6x20
(304551)



61825201
61825204
61825301
61825304
618253-02

COVER 6
(261801)

NL 6
(324101)

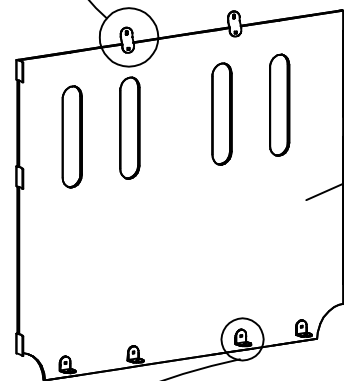
SRB 7x14
(326016)

CAP 6
(261800)

ALT.2
711000

(2x)

MVBF 6x20
(304551)



61825201
61825204
61825301
61825304
618253-02

COVER 6
(261801)

NL 6
(324101)

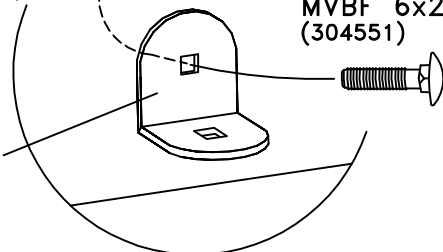
CAP 6
(261800)

SRB 7x14
(326016)

(4x)

MVBF 6x20
(304551)

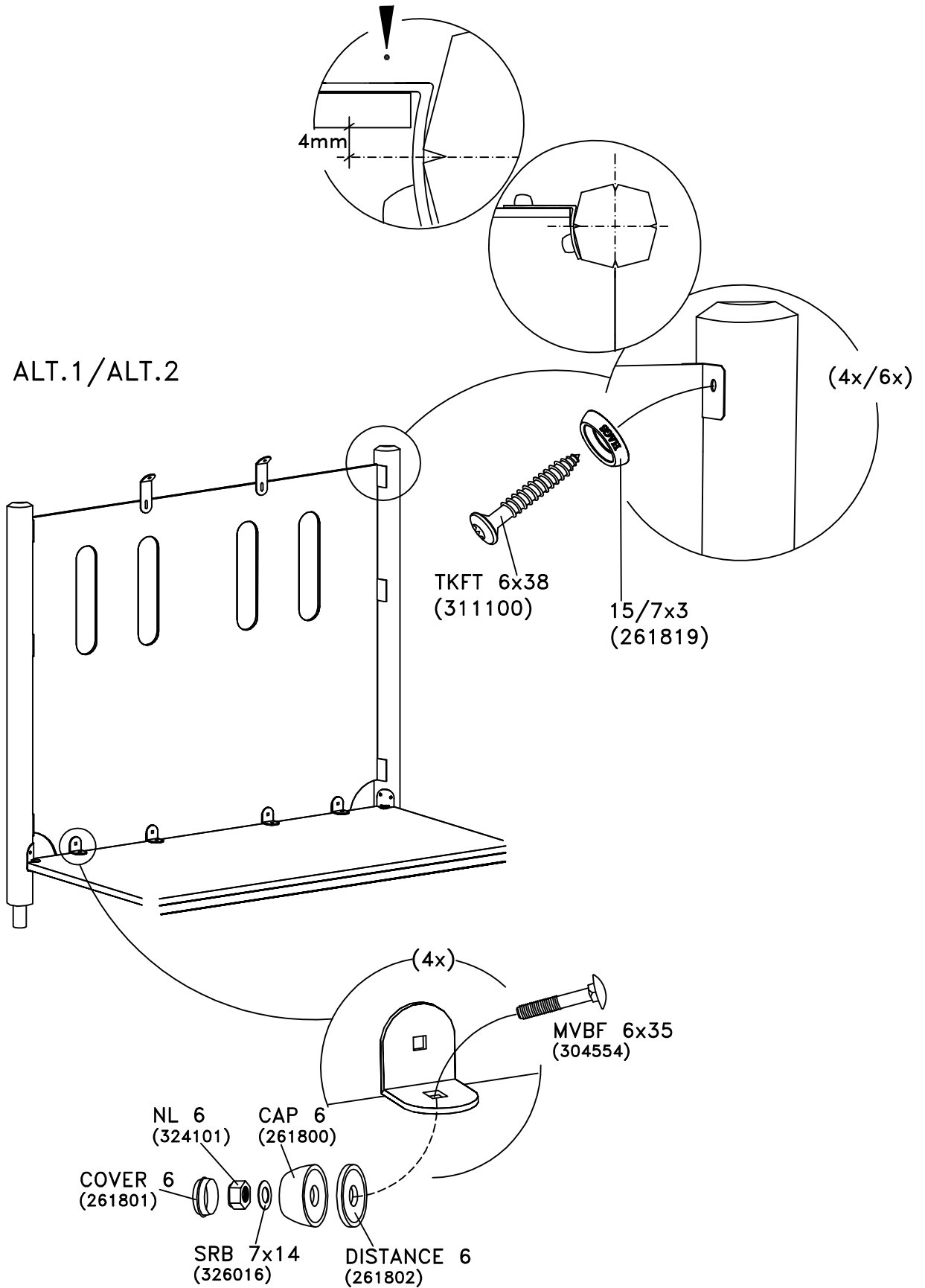
086941
08694113



HAGS ANEBY, SWEDEN
+46(0)380-47300
www.hags.com

6253 01
(I)

ACJ JOT 2006-01-26 0



HAGS		ANEBY, SWEDEN +46(0)380-47300 www.hags.com	
6253 01 (II)			
	ACJ		JOT 2006-01-26 0