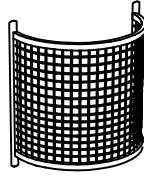
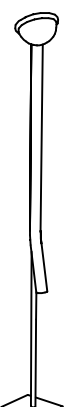
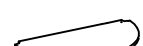
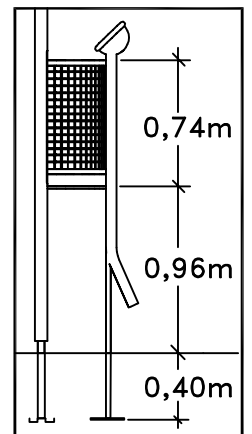
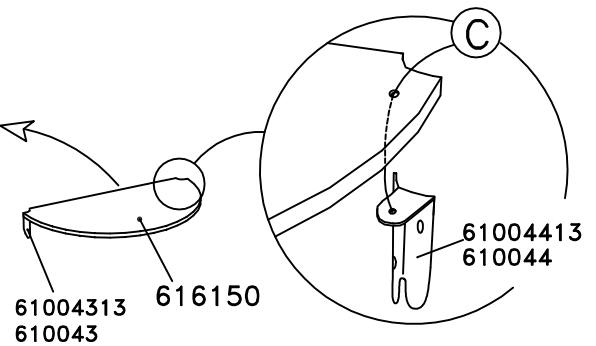
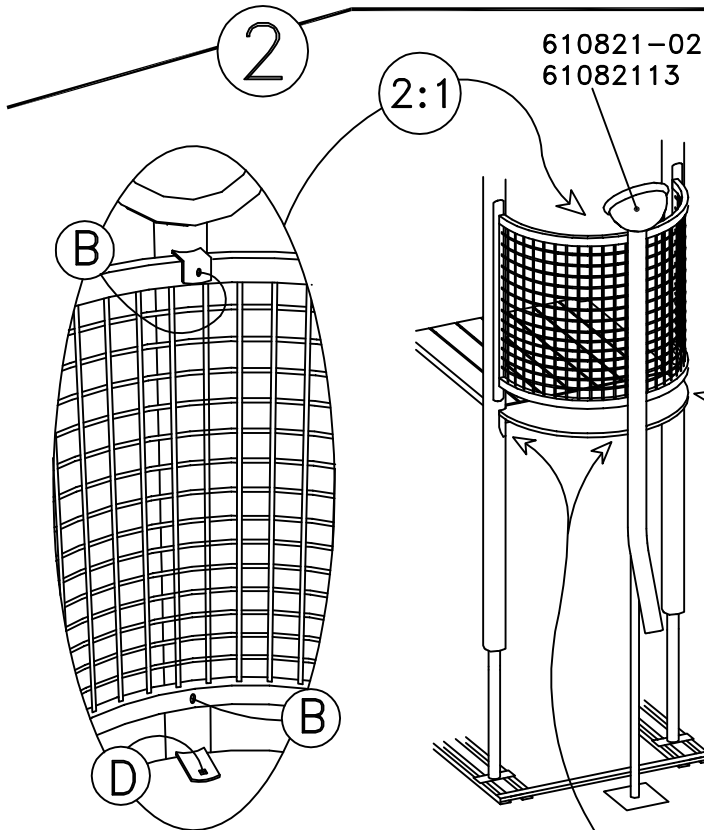
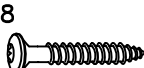



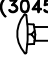

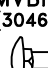

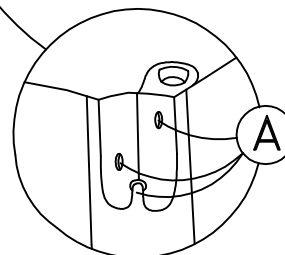


TYPE	HAGS.NO
 0,33x0,71x0,76m	610922 61092213
 2,28m	610821-02 61082113
 0,36x0,67m	616150



A	TKFT 6x38 (311100)		15/7x3 (261819)	
B	COVER 8 (261808)		SRB 9x18 (326017)	
		M6S 8x20 (302156)		CAP 8 (261807)
C	MVBF 6x35 (304554)		SRB 7x14 (326016)	
		DIST 6 (261802)		COVER 6 (261801)
		CAP 6 (261800)		N 6 (324101)
D	MVBF 8x40 (304604)		SRB 9x18 (326017)	
		DIST 8 (261809)		COVER 8 (261808)
		CAP 8 (261806)		N 8 (324102)



HAGS ANEBY, SWEDEN
+46(0)380-47300
www.hags.com

6822 13

ACJ JOT 2006-01-19 0