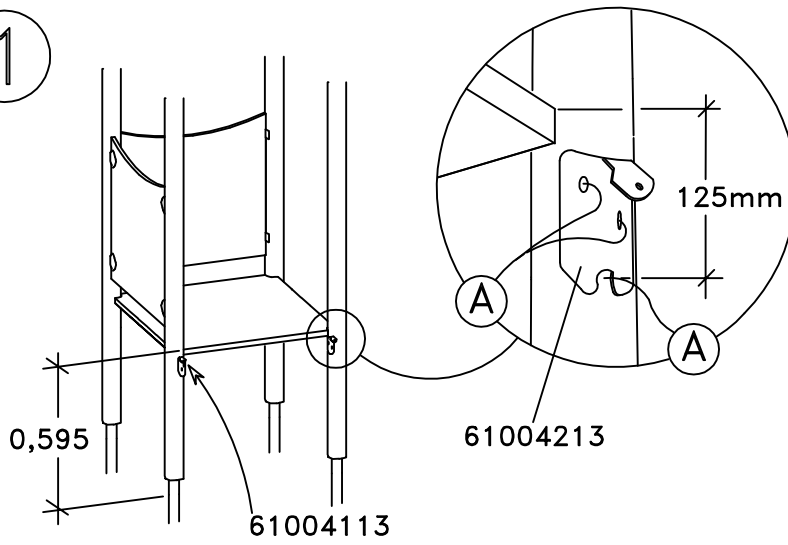

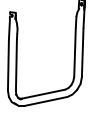

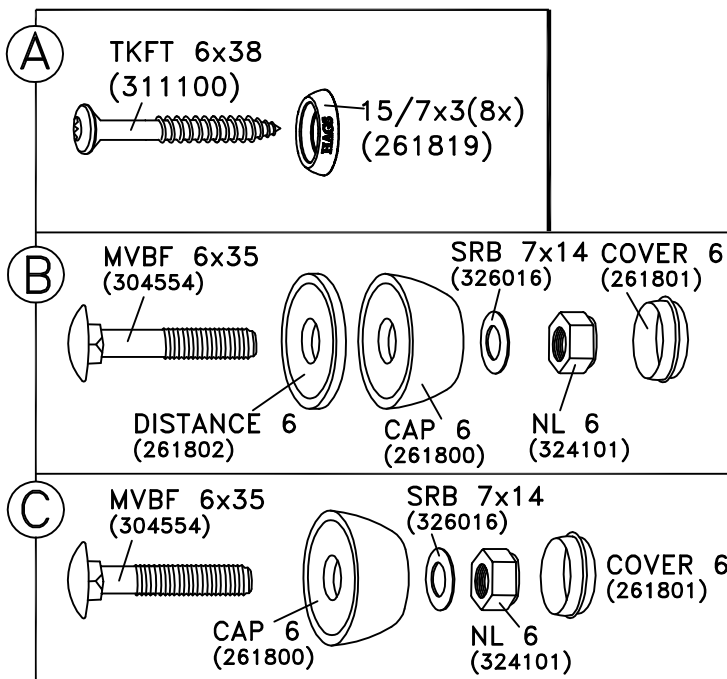
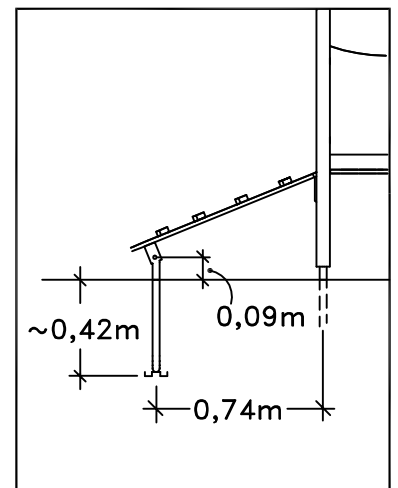
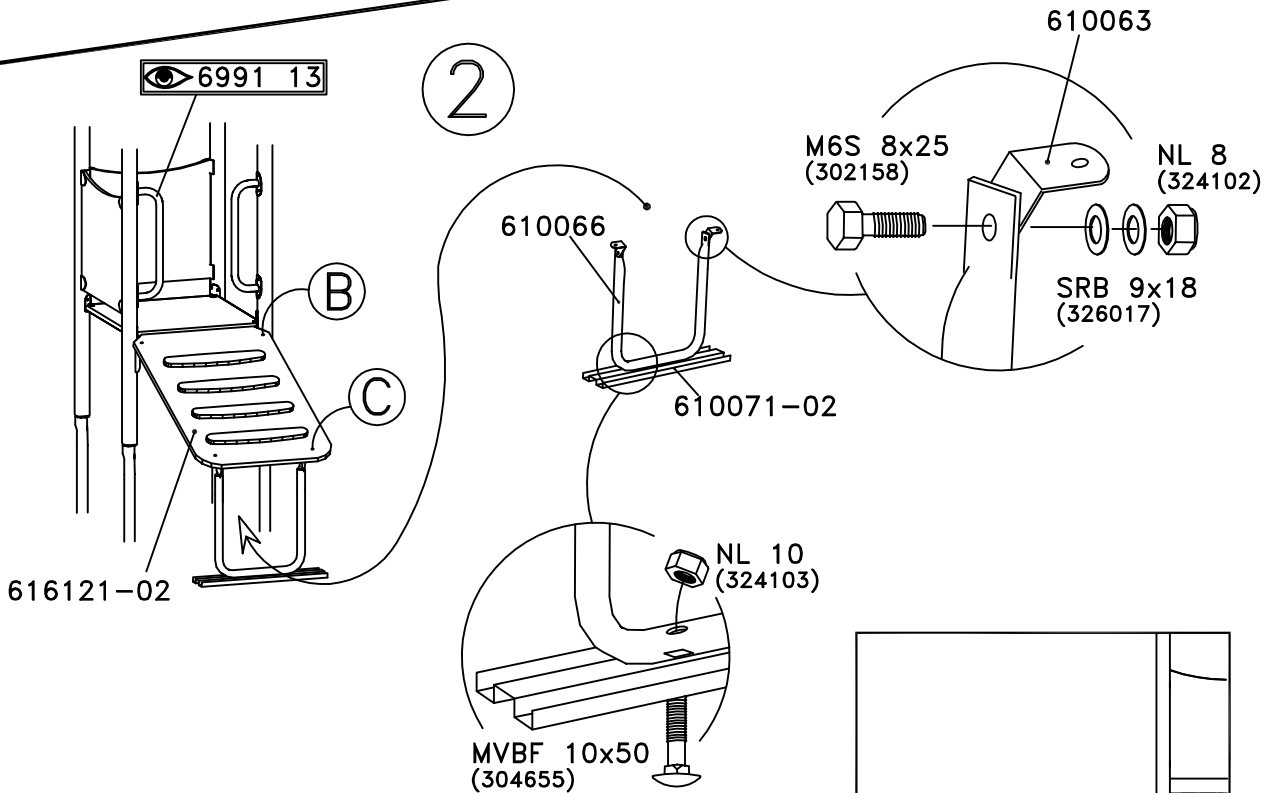


1



TYPE	HAGS.NO
 0,67x0,98m	616121-02
 0,43x0,51m	610066
 L=0,62m	610071-02

2



HAGS ANEBY, SWEDEN
+46(0)380-47300
www.hags.com

6121 10

ACJ JOT 2006-01-27 0