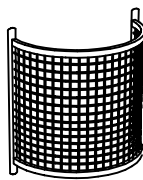


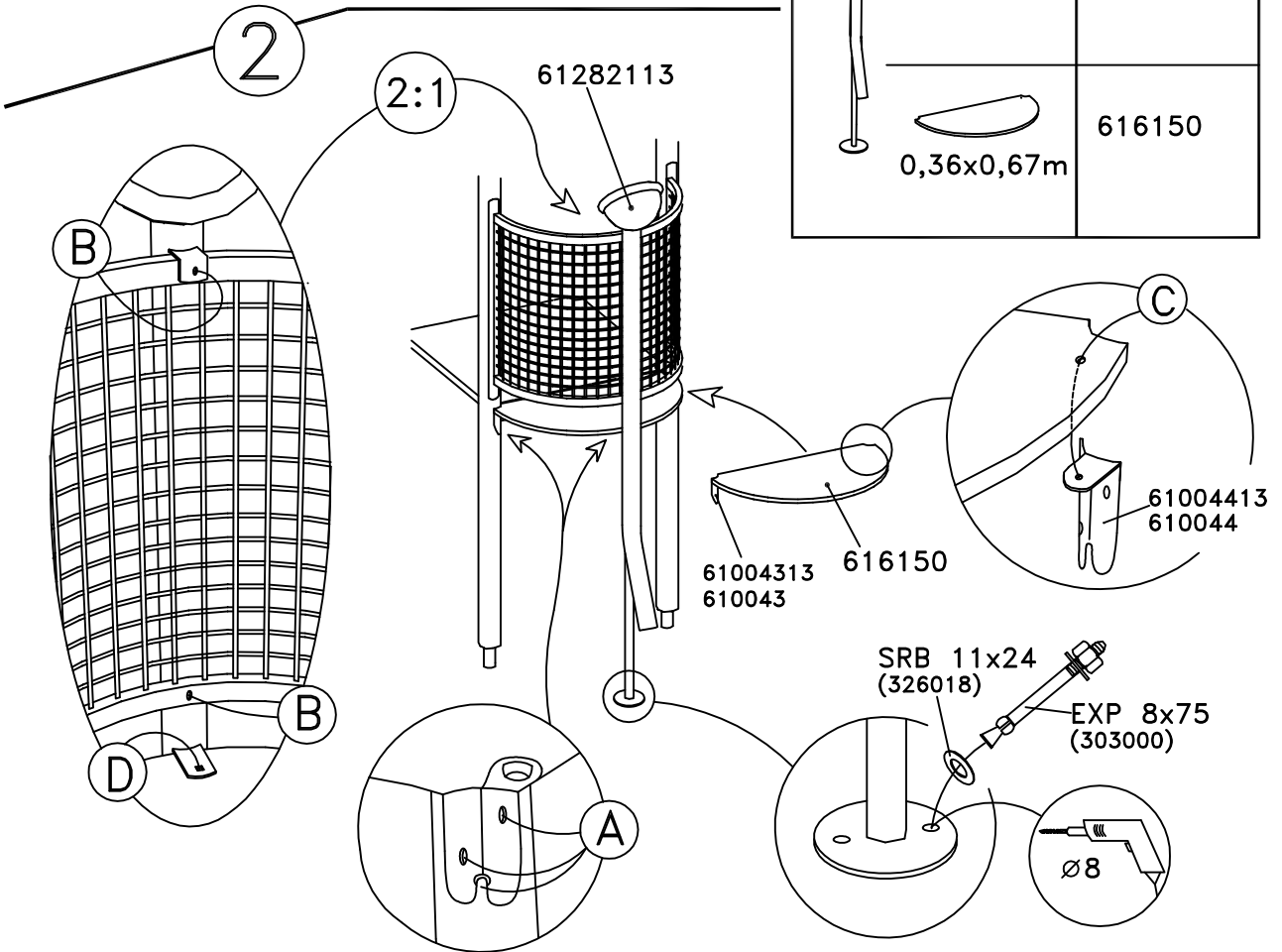
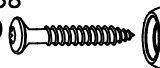
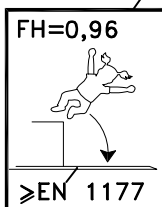
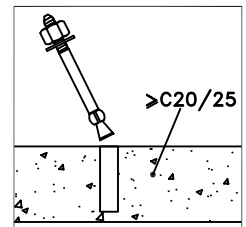
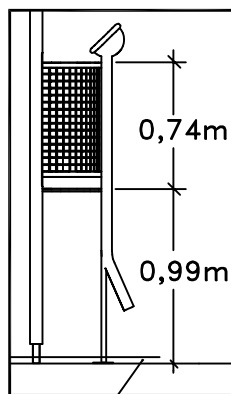


TYPE	HAGS.NO
 0,33x0,71x0,76m	610922 61092213
 2,28m	61282113
 0,36x0,67m	616150





A	TKFT 6x38 (311100)		15/7x3 (261819)
B	COVER 8 (261808)	SRB 9x18 (326017)	CAP 8 (261807)
		M6S 8x20 (302156)	
C	MVBF 6x35 (304554)	SRB 7x14 (326016)	COVER 6 (261801)
	DIST 6 (261802)	CAP 6 (261800)	N 6 (324101)
D	MVBF 8x40 (304604)	SRB 9x18 (326017)	COVER 8 (261808)
	DIST 8 (261809)	CAP 8 (261806)	N 8 (324102)



HAGS ANEBY, SWEDEN
+46(0)380-47300
www.hags.com

OM 6822 13

 ACJ  JOT | 2006-05-04 | 1