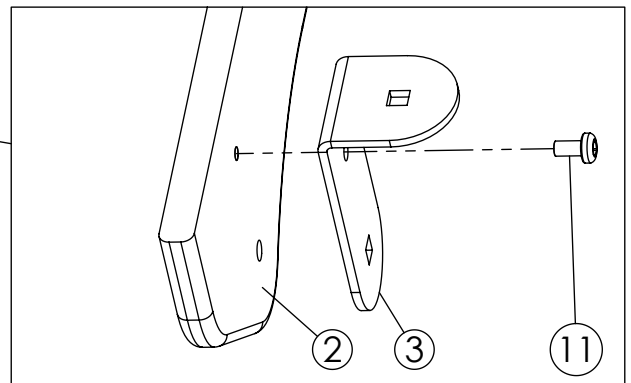
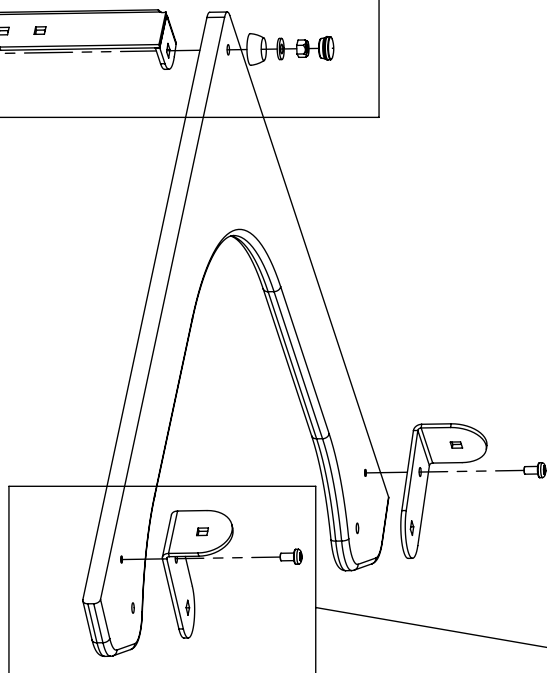
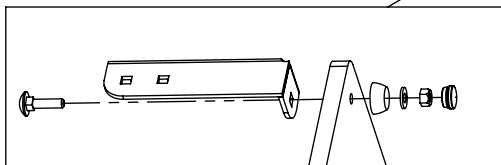
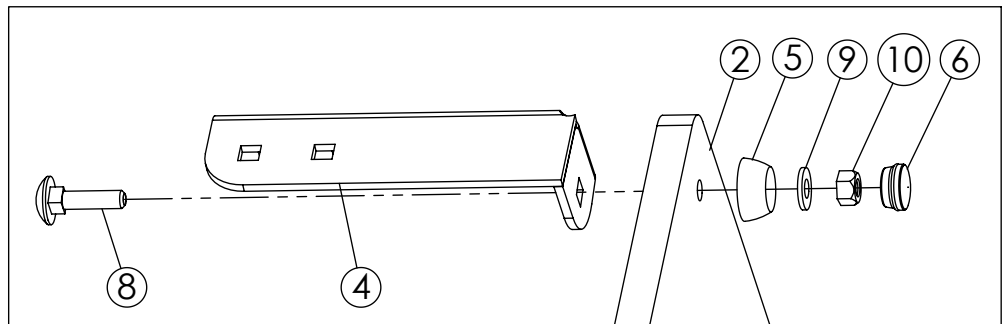


1



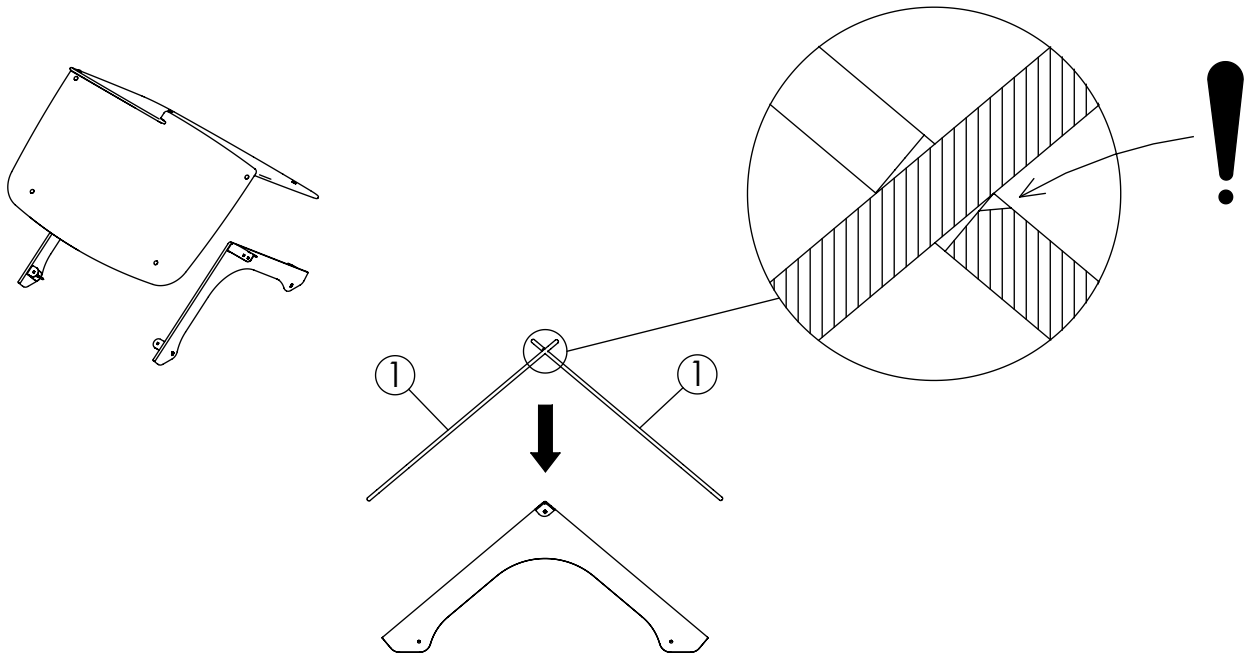
NR.	Description MA	Item Number	Qty
2	836x380x12	618412-01/61841111	2
3	90x45x40	610621/61062113	4
4	123x35x35	8048305	2
5	Cap 6 Ø6,5x21 mm	8005951 (261800)	2
6	Cover M6, Ø15x10mm	8005952 (261801)	2
8	MVBF M6x25	8008566	2
9	Ø6,4x14x1,5 mm	326016	2
10	M6M -8 M6 ISO 7042	8042808	2
11	Screw Duro-PT 5x10 mm	312230	4

HAGS ANEBY, SWEDEN
+46(0)380-47300
www.hags.com

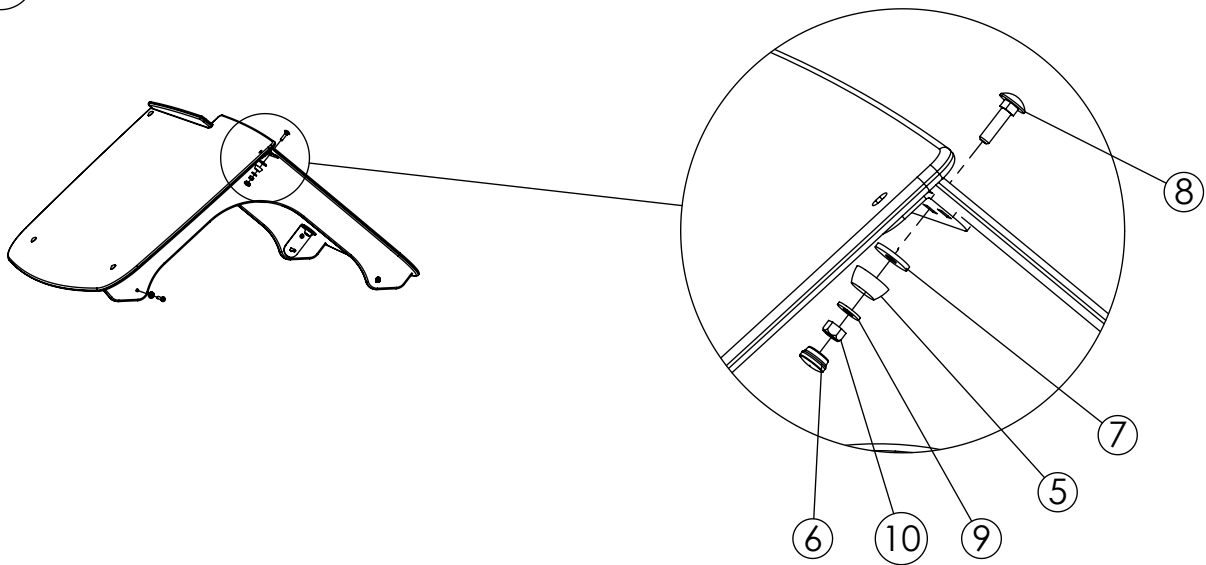
Roof
MASW39314
1 (3)

TeK 2 TB 2015-09-30 2

2



3



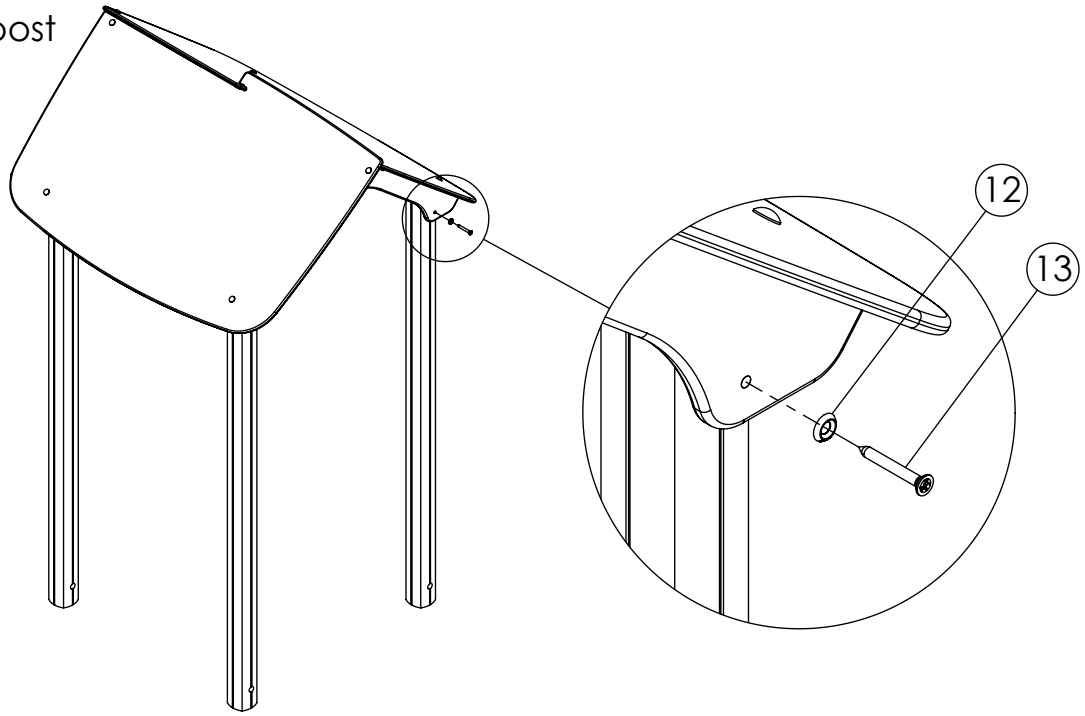
NR.	Description MA	Item Number	Qty
1	1024x657x10 mm	8048306	2
5	Cap 6 Ø6,5x21 mm	8005951 (261800)	8
6	Cover M6, Ø15x10mm	8005952 (261801)	8
7	DISTANCE 6 Ø21x27x2,5	261802	8
8	MVBF M6x25	8008566	8
9	Ø6,4x14x1,5 mm	326016	8
10	M6M -8 M6 ISO 7042	8042808	8

HAGS ANEBY, SWEDEN
+46(0)380-47300
www.hags.com

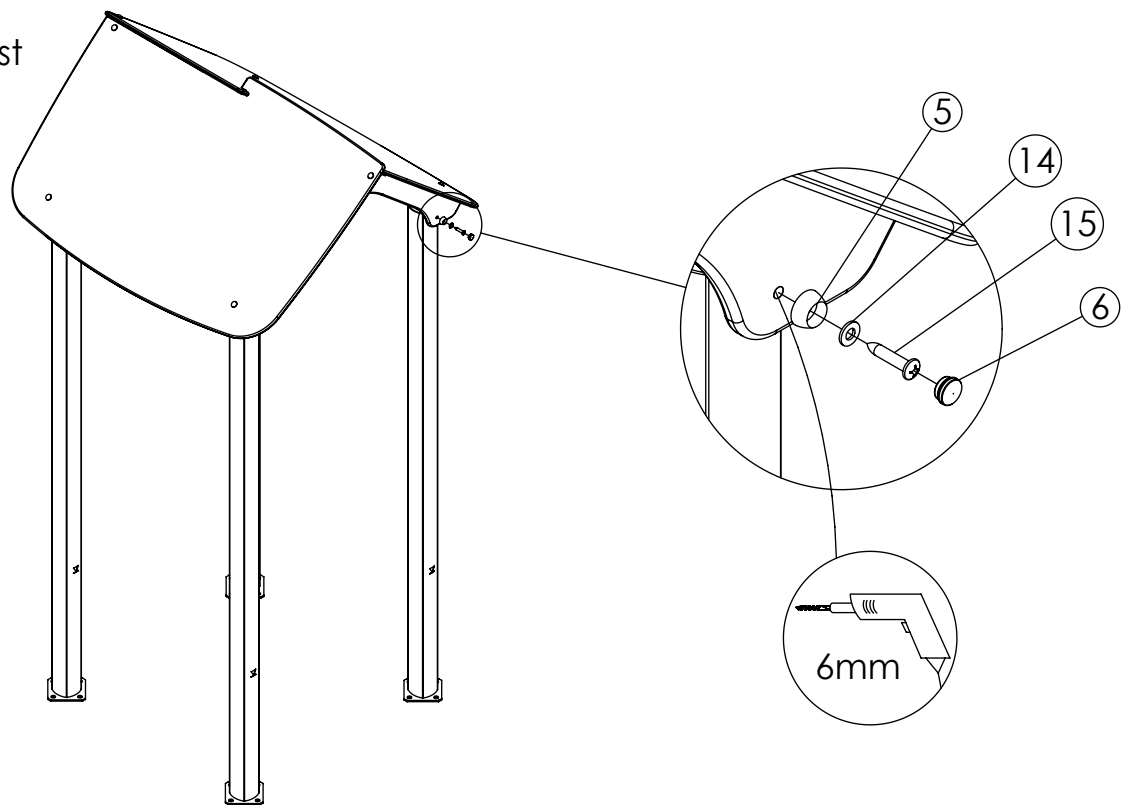
Roof
MASW39314
2 (3)

🏠 Tek 🧐 TB 2015-09-30 2

4 Wood post



4 Steel post



NR.	Description MA	Item Number	Qty
5	Cap 6 Ø6,5x21 mm	8005951 (261800)	4
6	Cover M6, Ø15x10mm	8005952 (261801)	4
12	Ø6 16/7 x 3 mm	8035290	4
13	TKFT 6x50 mm	(8008653) 311102	4
14	6,4x14x1,5mm	8008848 (326016)	4
15	RXS 6,3x32 mm	8008723 (312573)	4

HAGS		ANEBY, SWEDEN +46(0)380- 47300 www.hags.com	
Roof			
MASW39314			
3 (3)			
	Tek		TB
			2015-09-30
			2