

| POS-NR | ART-NR | ANTAL/QUANTITY |
|----------------------|-----------|----------------|
| POS-NO | ART-NO | MENGE/QUANTITE |
| 6342 | 132741 | 1 |
| 6342 | 135012-01 | 1 |
| 6342 | 135013-01 | 1 |
| 6342 | 153406 | 1 |
| 6099 | 261830 | 2 |
| 6342 | 410062 | 1 |
| 6732 10 | 610066 | 2 |
| 6701 06 | 610068-01 | 1 |
| 6084 01 | 610072-03 | 3 |
| 6342,6701 06,6732 10 | 610071-02 | 4 |
| 6084 01 | 610076 | 2 |
| 6084 01 | 610084 | 6 |
| 6101 | 616101 | 2 |
| 6732 10 | 616731 | 2 |
| 6732 10 | 616735 | 1 |
| 6342 | 13502513 | 1 |
| 6342 | 13502613 | 1 |
| 6342 | 61060313 | 1 |
| 6701 06 | 61070106 | 1 |
| 6991 13 | 61099113 | 6 |
| 6084 01 | 61601721 | na |
| 6084 01 | 61601961 | pa |
| 6411 10 | 61641110 | 2 |
| 6951 05 | 61695105 | 1 |
| 6211 01 | 61821101 | PA |
| 6213 01 | 61821301 | PC |
| 6411 10 | 61841111 | 2 |
| | 691265 | 1 |

HAGS ANEBY, SWEDEN
+46(0)380-47300
www.hags.com

Gerba
608 265
1(2)

EÖ EF 2015-04-14 5



15,0h



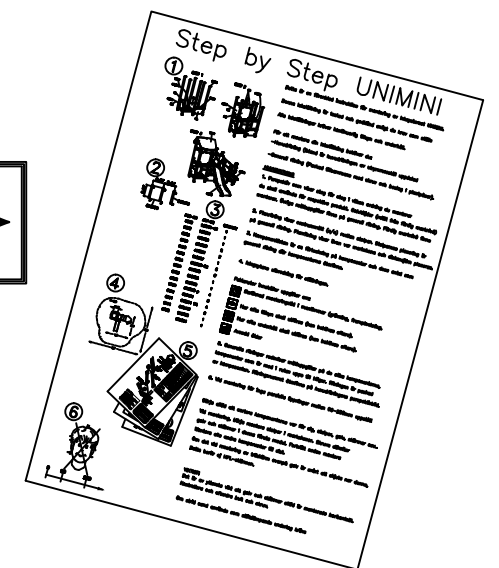
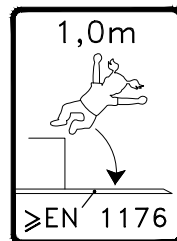
Varje vecka
Every week
Jede woche
Chaque semaine



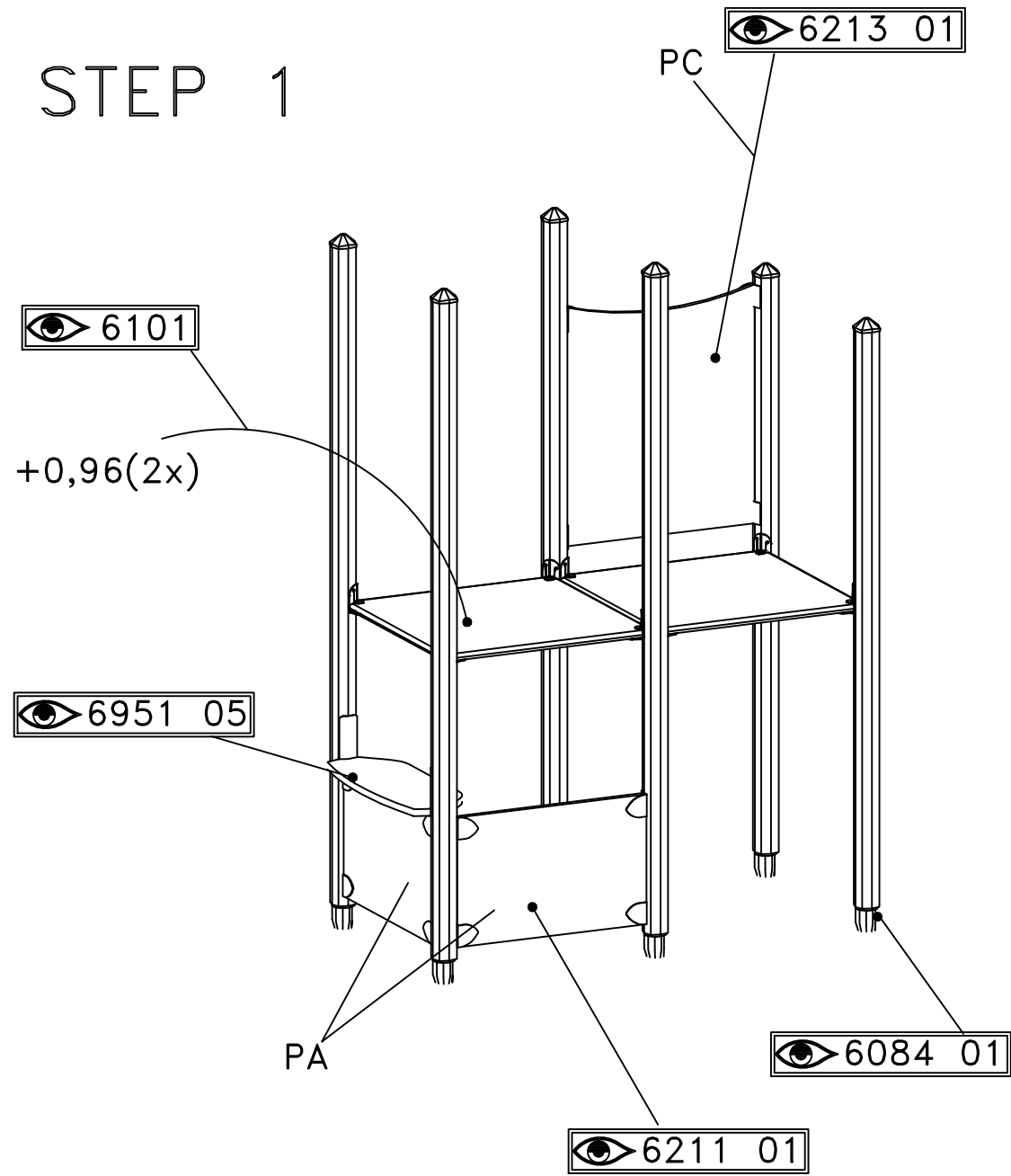
Varje säsong
Every season
Jedes Jahr
Chaque saison



2-5



STEP 1



HAGS ANEBY, SWEDEN
+46(0)380-47300
www.hags.com

Gerba
608 265
2(2)

EF 2015-04-14 5

STEP 2

