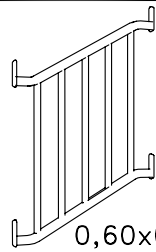
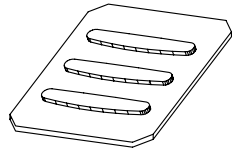
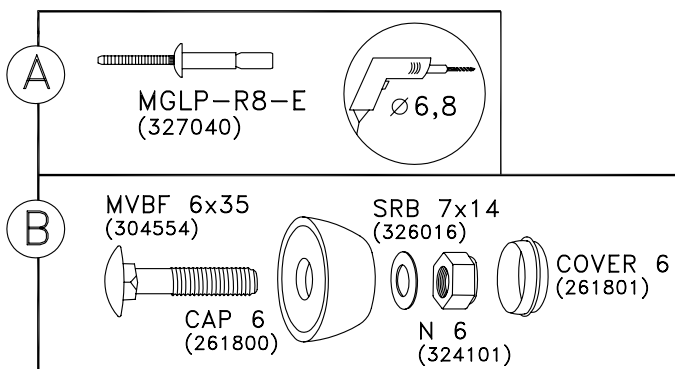
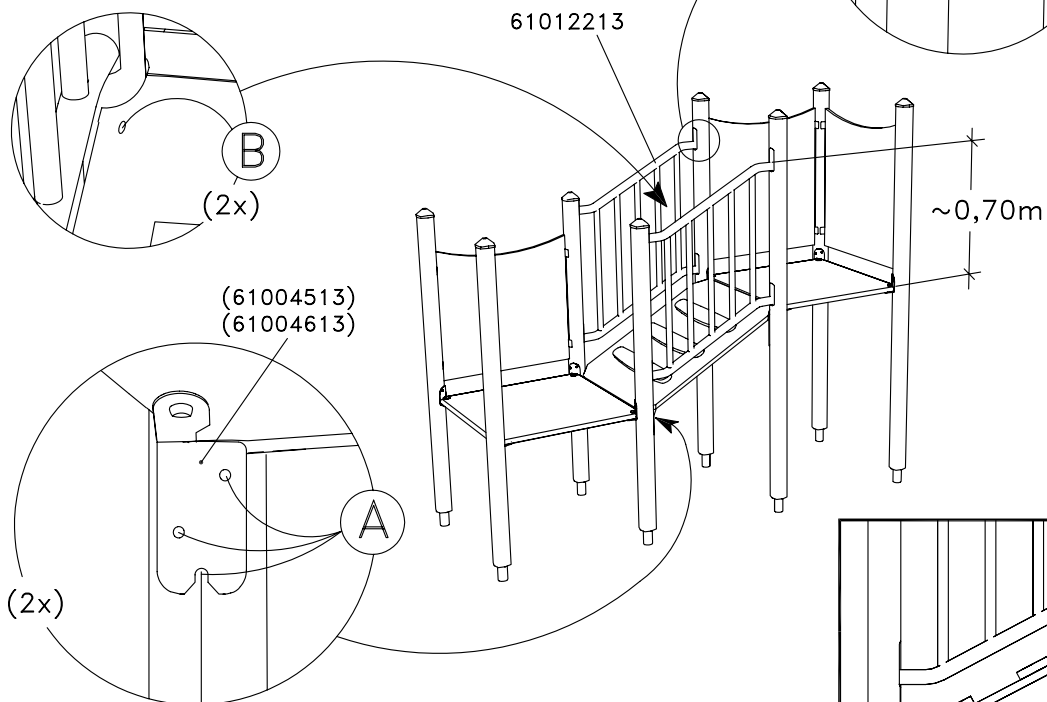




TYPE	HAGS.NO
 0,60x0,66m	61012213 (2x)
 0,67x0,76m	616123



HAGS ANEBY, SWEDEN
+46(0)380-47300
www.hags.com

Bridge
ST 6123 13
1(1)

 MN  ACJ 2008-09-16 | 1