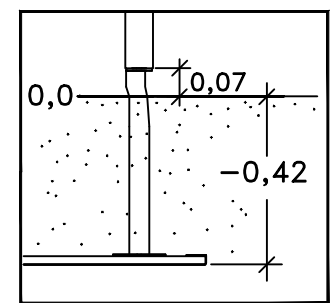
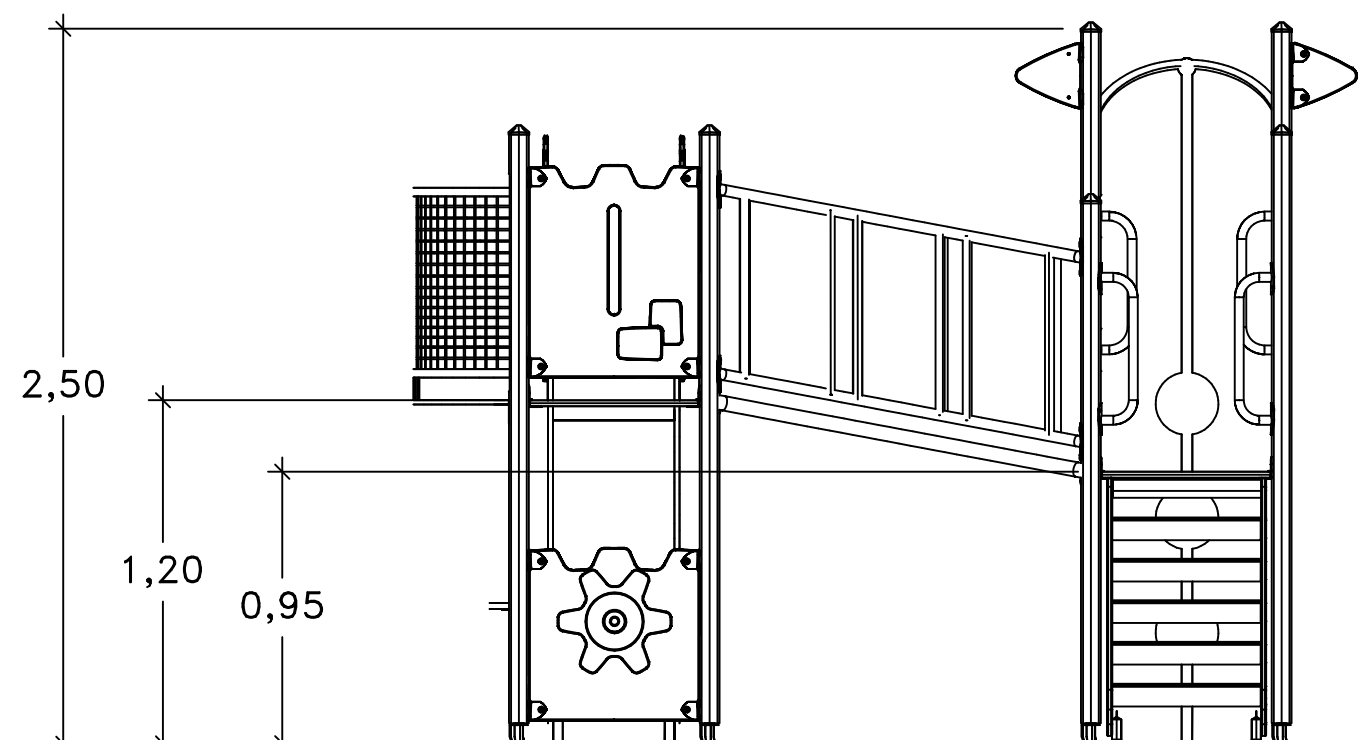
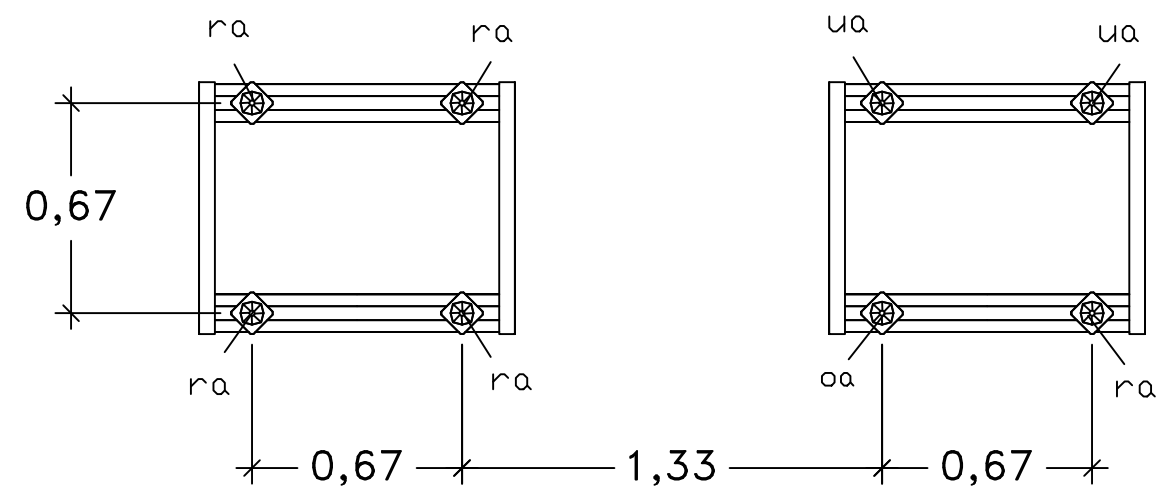
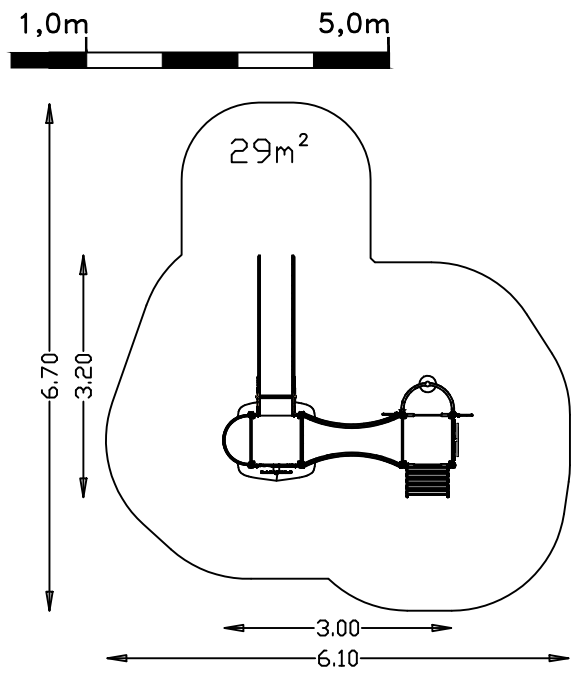


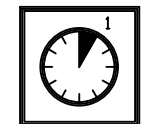
UniMini Salbek



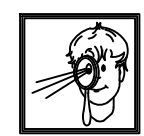
HAGS ANEBY, SWEDEN
+46(0)380-47300
www.hags.com

UniMini Salbek
8055789
1/5

JN JN 2017-03-10 4



18h



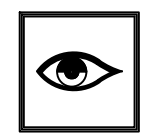
Varje vecka
Every week
Jede woche
Chaque semaine



Varje säsong
Every season
Jedes Jahr
Chaque saison

1,3 m

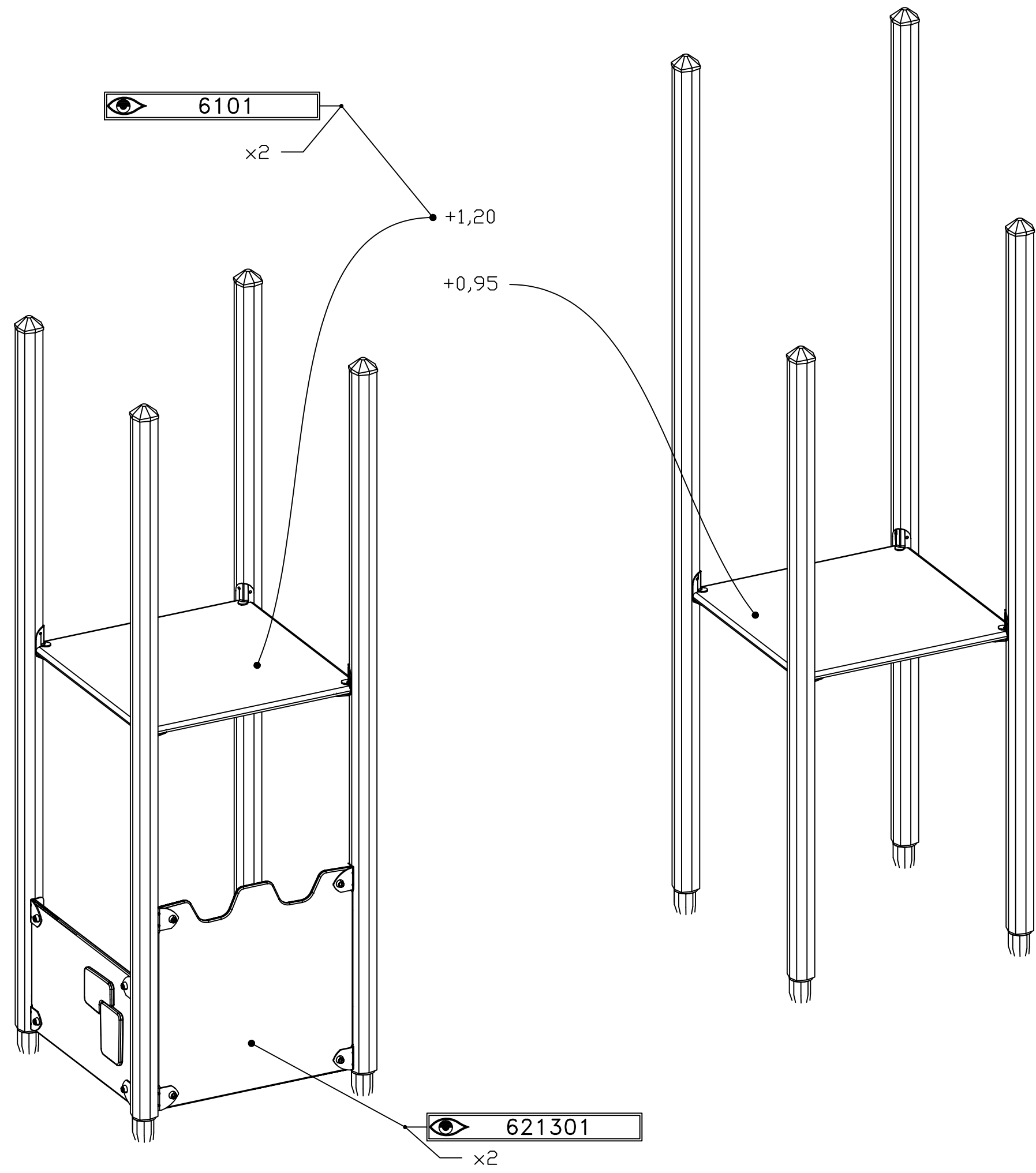
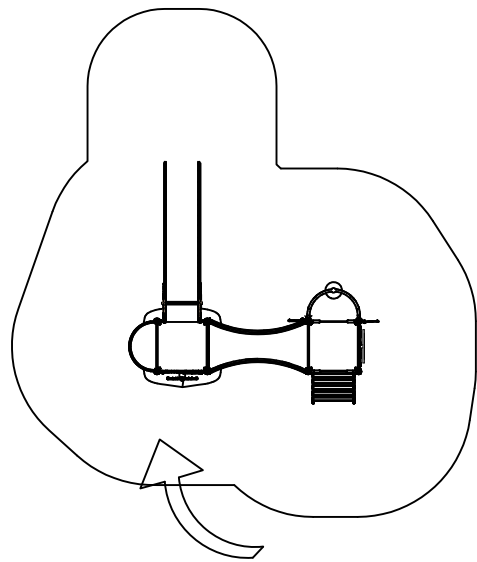
≥EN 1176
≥CPSC



Step by Step UNIMINI

1. Check the ground conditions before installation.
2. Check the height of the structure before installation.
3. Check the weight of the structure before installation.
4. Check the stability of the structure before installation.
5. Check the safety of the structure before installation.
6. Check the maintenance of the structure before installation.

STEP 1

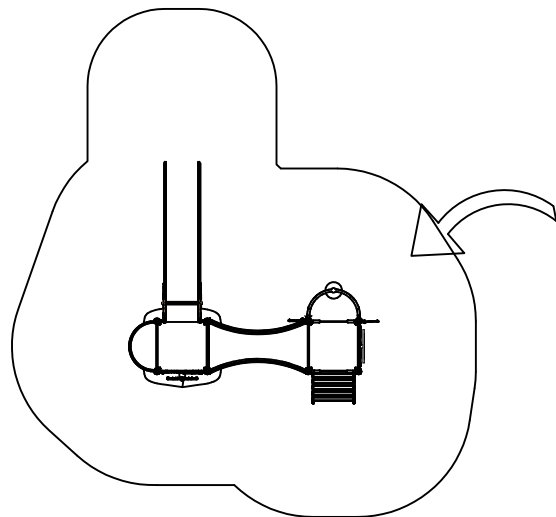


HAGS ANEBY, SWEDEN
+46(0)380-47300
www.hags.com

UniMini Salbek
8055789
2/5

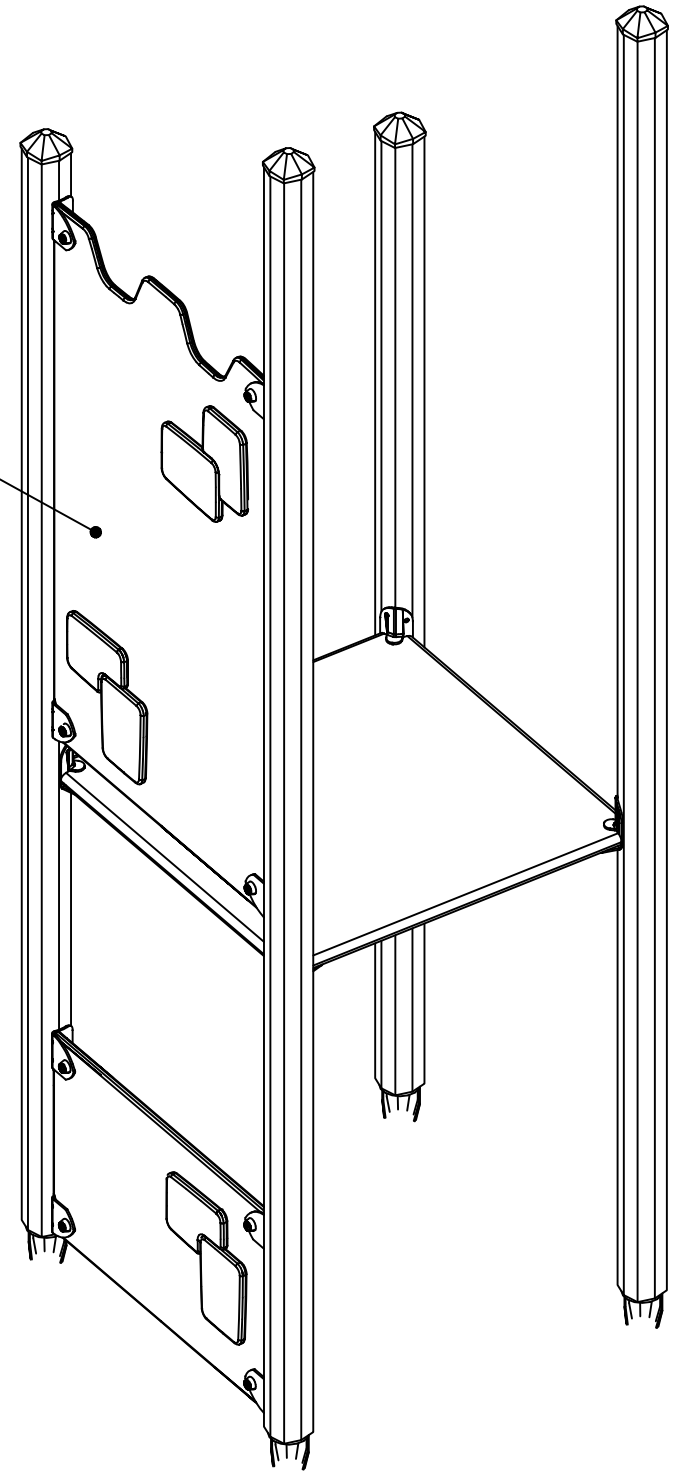
🏠 JN 🔍 👁 JN 2017-03-10 4

STEP 2

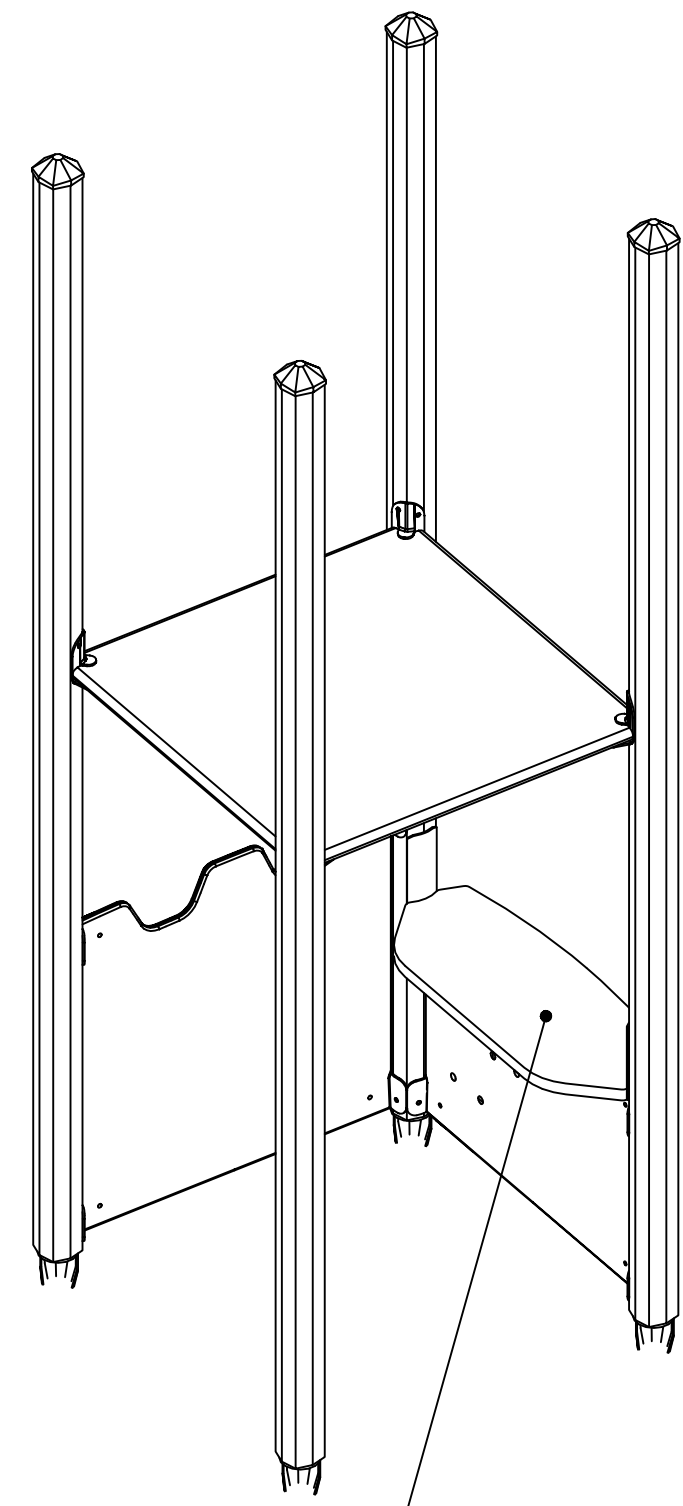


621301

x2



695105

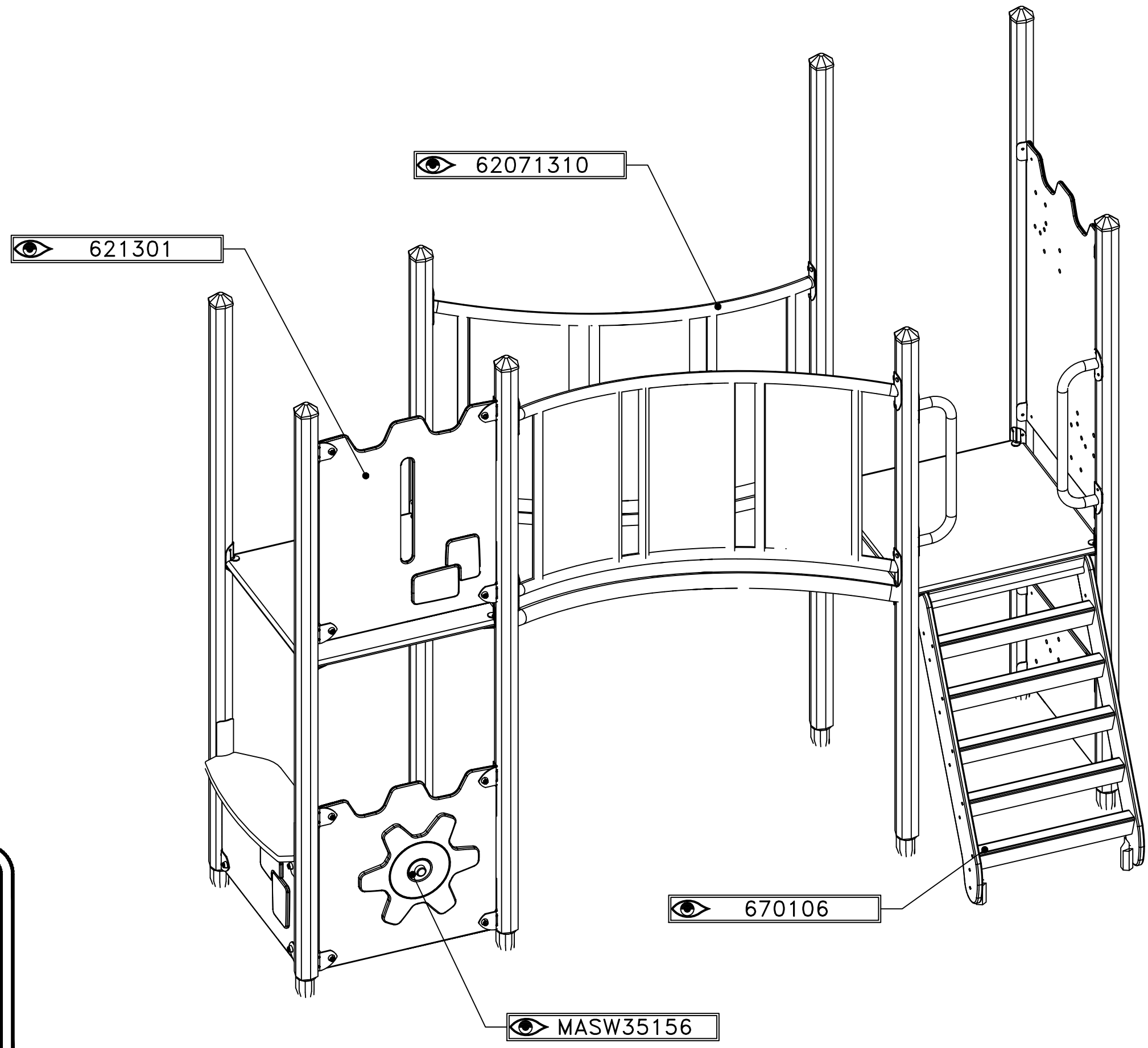
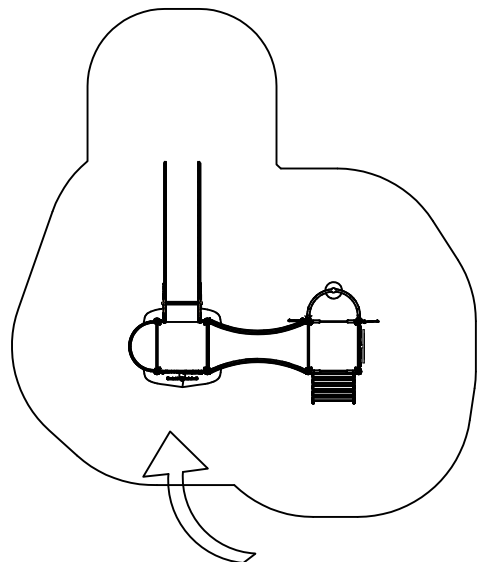


HAGS ANEBY, SWEDEN
+46(0)380-47300
www.hags.com

UniMini Salbek
8055789
3/5

JN JN 2017-03-10 4

STEP 3

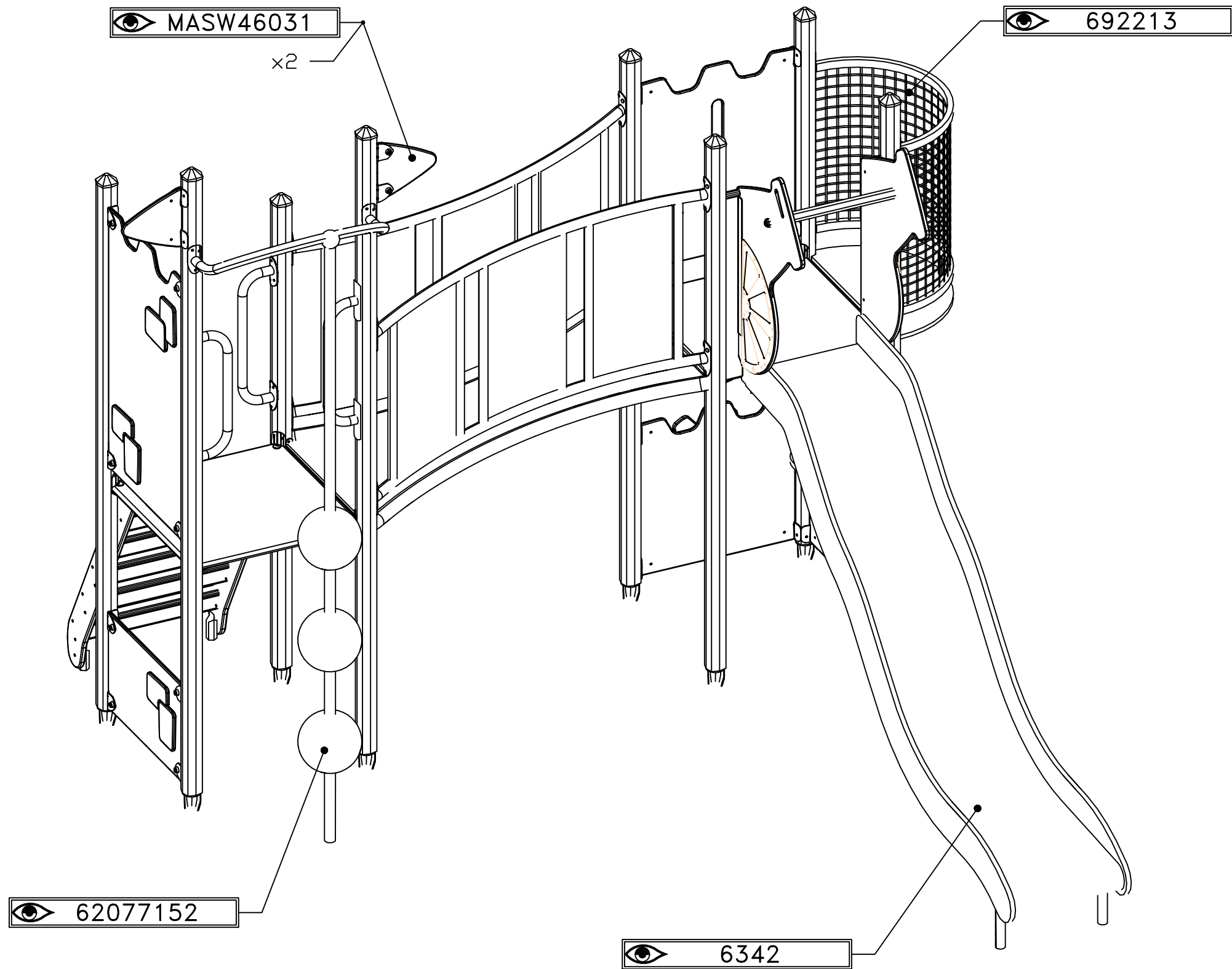
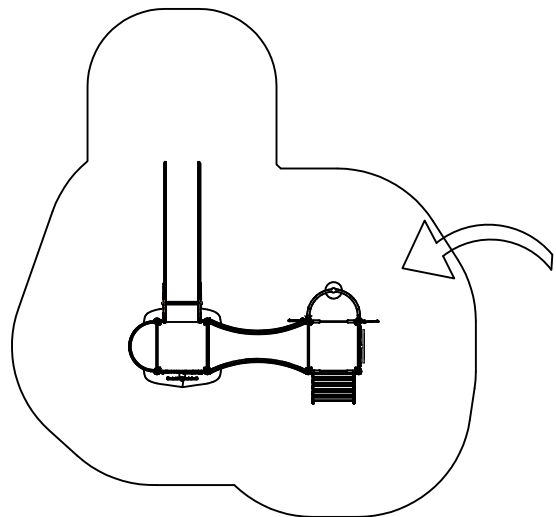


HAGS ANEBY, SWEDEN
 +46(0)380-47300
 www.hags.com

UniMini Salbek
 8055789
 4/5

🏠 JN 🔍 👁 JN 2017-03-10 4

STEP 4



HAGS ANEBY, SWEDEN
+46(0)380-47300
www.hags.com

UniMini Salbek
8055789
5/5

🏠 JN 🔍 👁 JN 2017-03-10 4