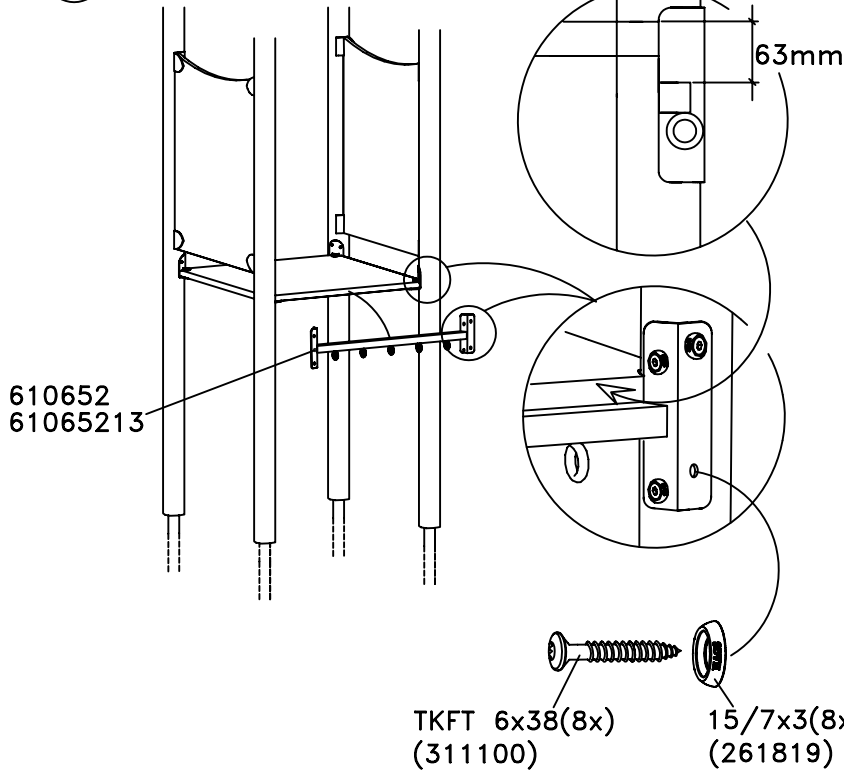
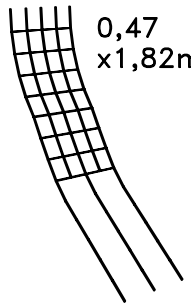
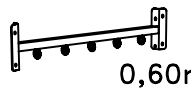

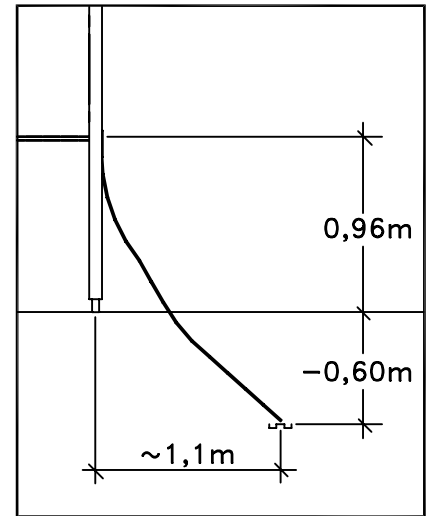


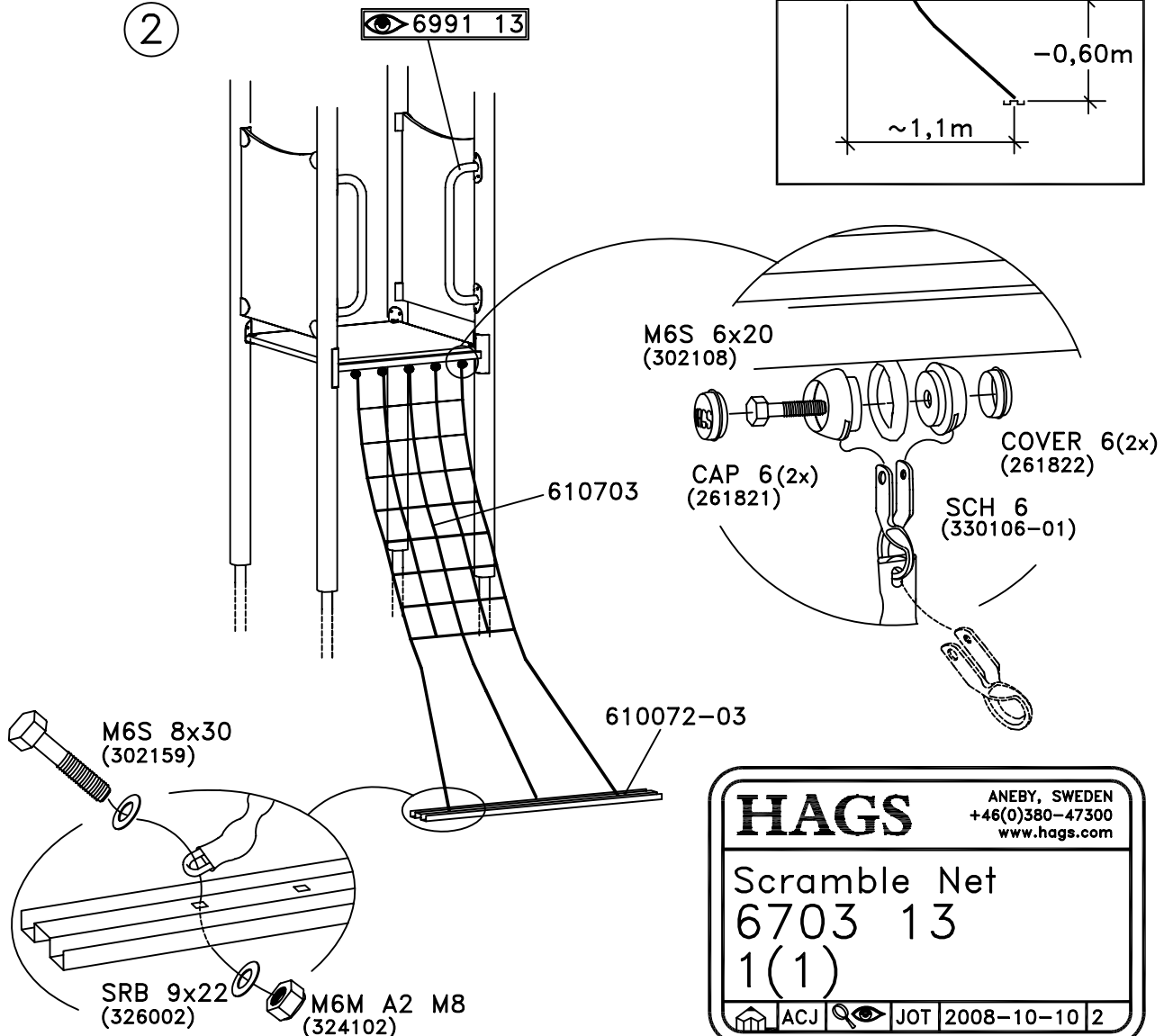
1





TYPE	HAGS.NO
 0,47 x1,82m	610703
 0,60m	610652 61065213
 1,0m	610072-03



2



HAGS		ANEBY, SWEDEN +46(0)380-47300 www.hags.com	
Scramble Net			
6703 13			
1(1)			
	ACJ		JOT 2008-10-10 2