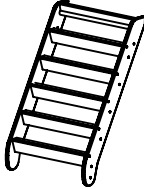


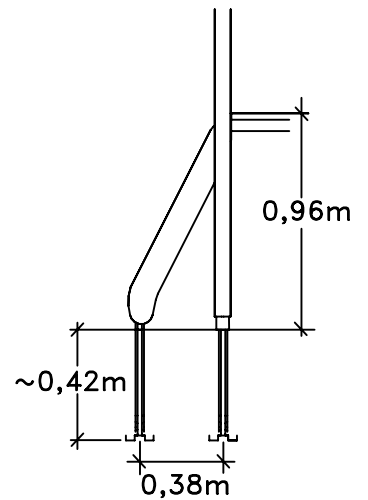
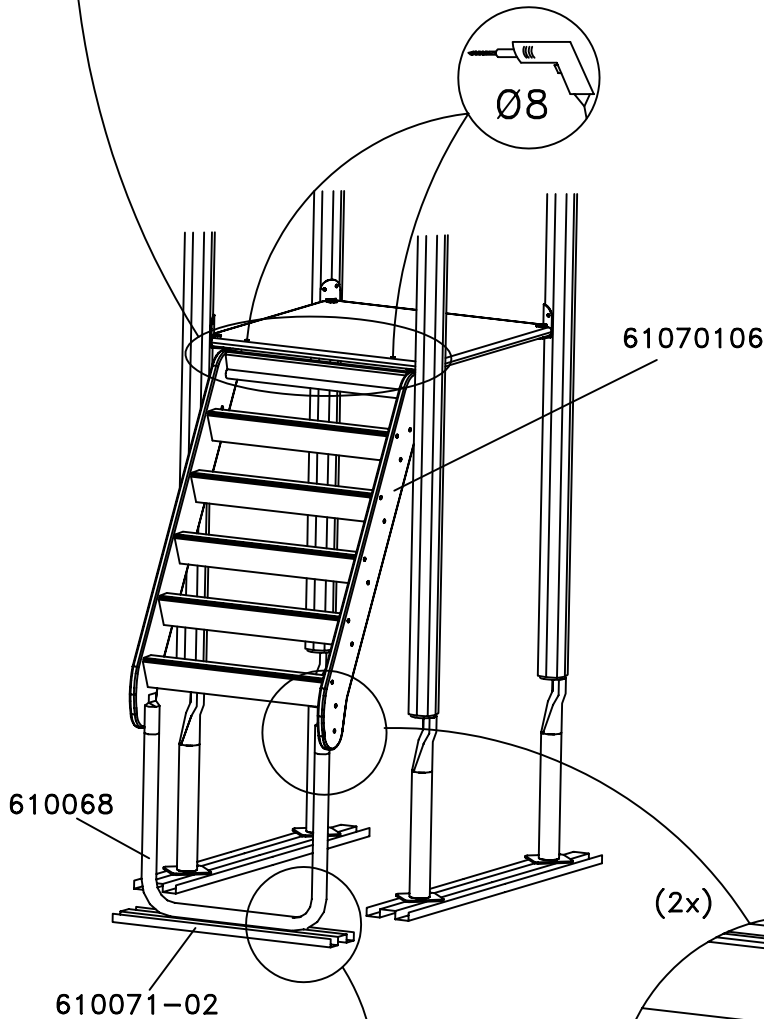
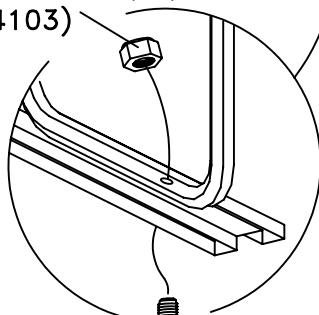


TYPE	HAGS NO.
 0,98x0,53m	61070106
 0,56x0,51m	610068
 L=0,62m	610071-02



M6M A2 M10(2x)
(324103)



M6M A2 M8
(324102)

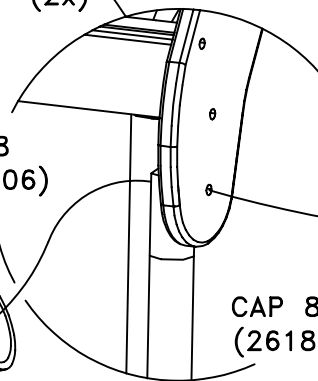


COVER 8
(261808)

CAP 8
(261806)



SRB 9x18
(326017)



SRB 9x18
(326017)

COVER 8
(261808)

CAP 8
(261806)

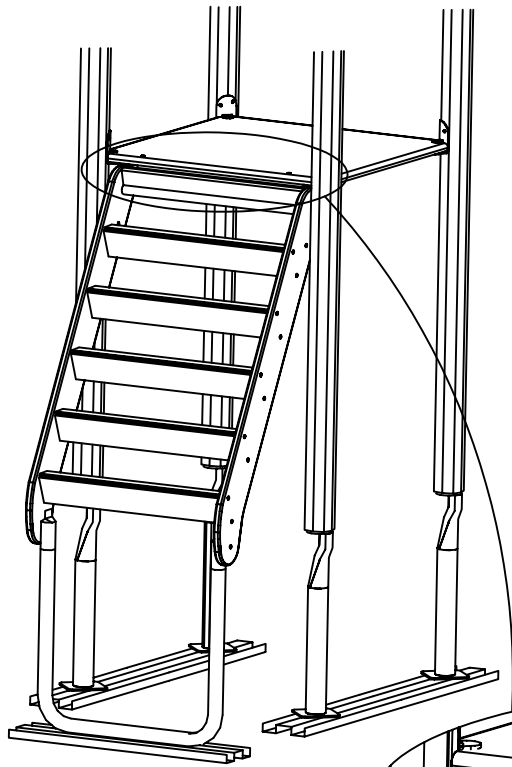
M6S 8x40
(302161)

MVBF 10x50(2x)
(304655)

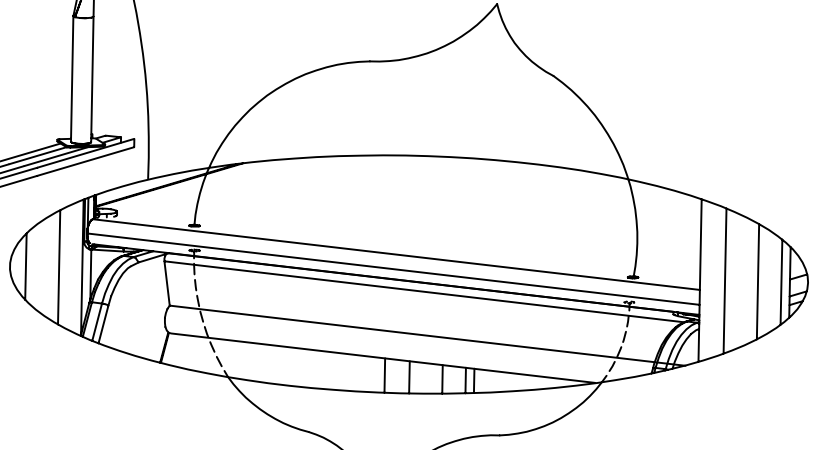
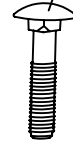
HAGS ANEBY, SWEDEN
+46(0)380-47300
www.hags.com

Stair
6701 06
1(2)

MN ACJ 2008-06-10 0



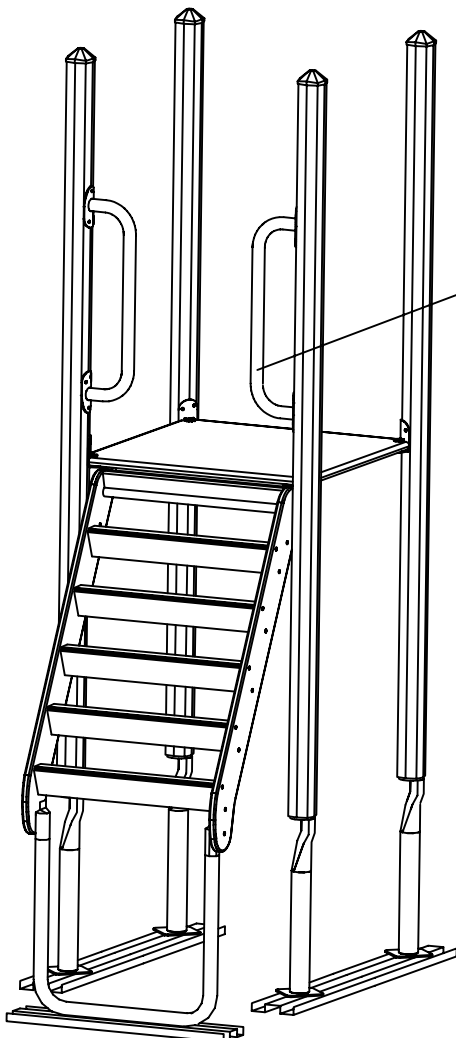
MVBF 8x35
(304603)



SRB
(326017)



M6M A2 M8
324102



699113

HAGS		ANEBY, SWEDEN	
		+46(0)380-47300	
		www.hags.com	
Stair			
6701 06			
2(2)			
	MN		ACJ 2008-06-10 0