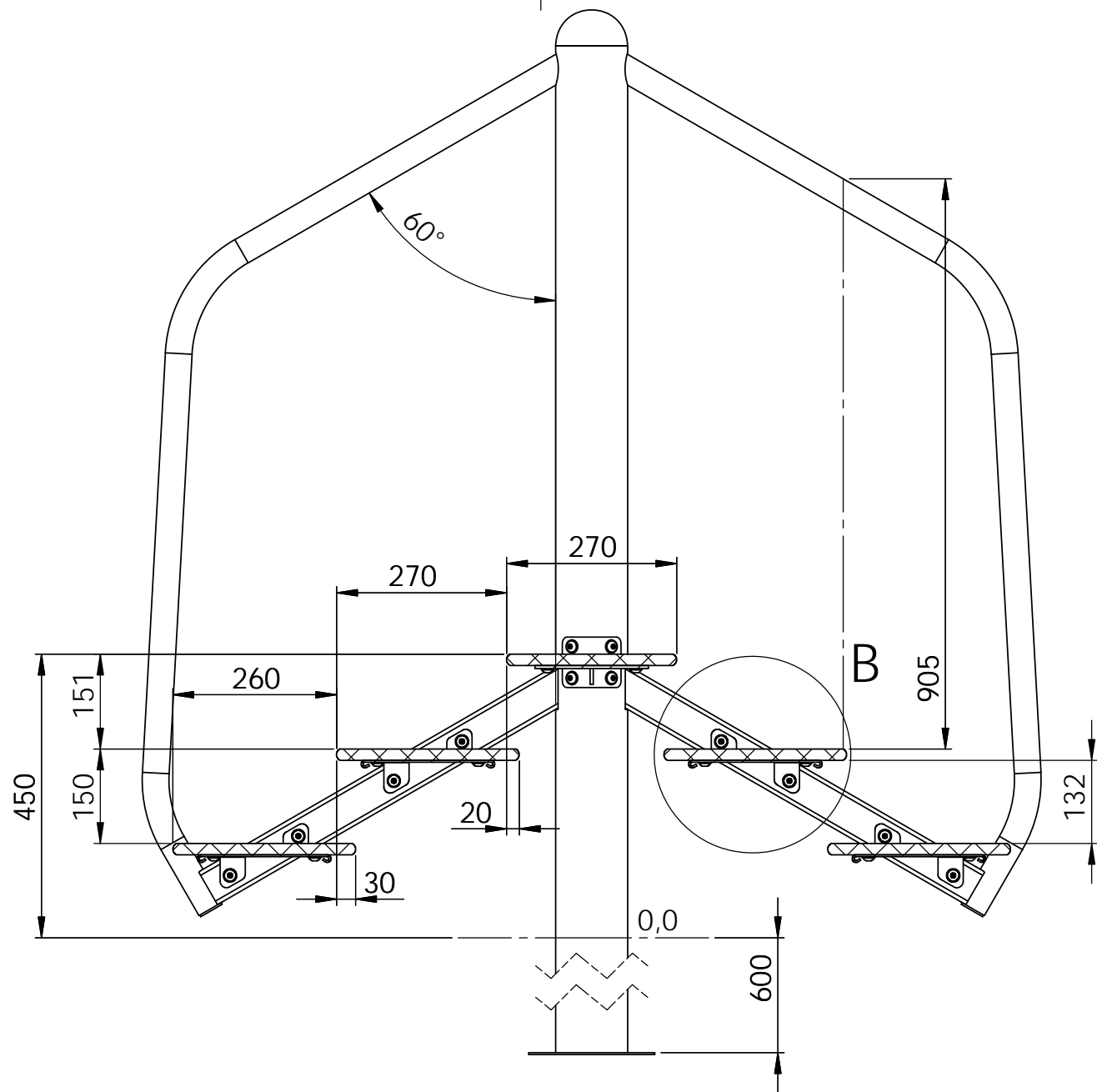
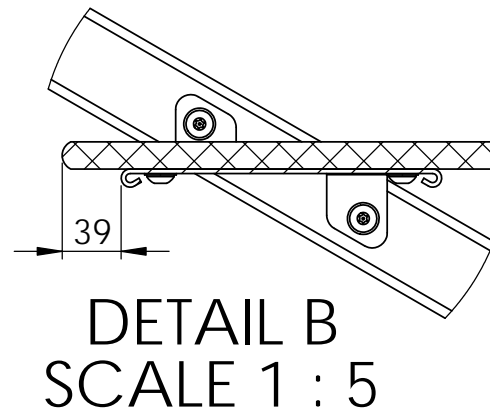


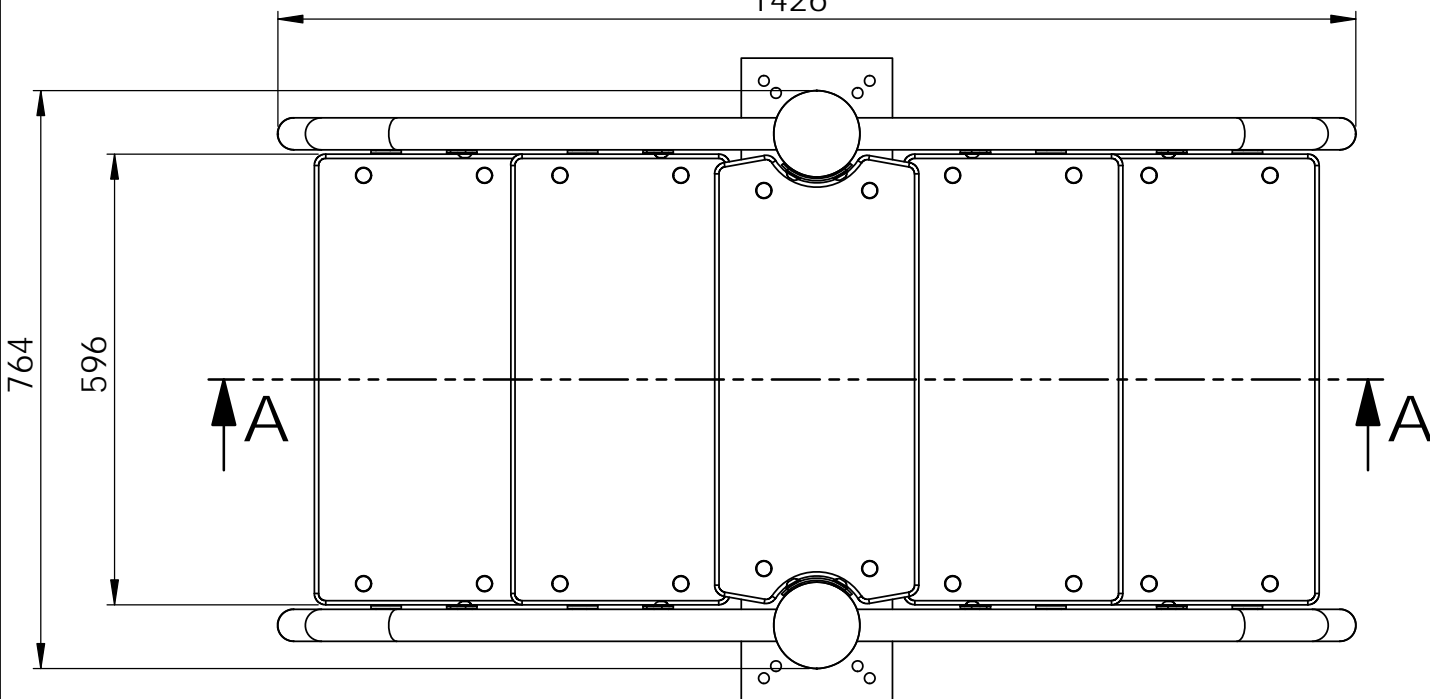
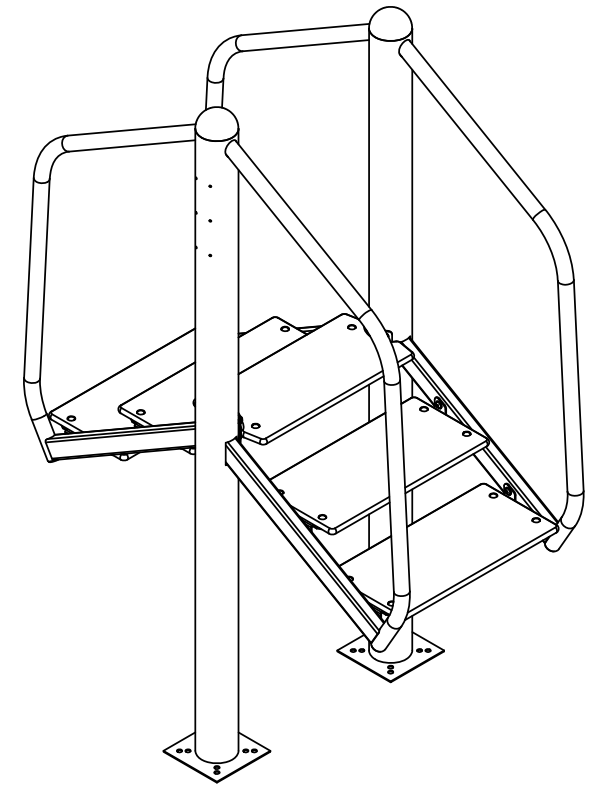
DENNA HANDLING FÄR EJTAN VÄRT MEDGÅVANDE KORRESAS  
 DEN FÄR EJTAN VÄRT MEDGÅVANDE KORRESAS  
 ANVÄNDAS ÖVERTÄGELSE HARAV BEVÄRAS MED STOD AV  
 GÄLLANDE LAG. HAGS ANEBY AB  
 THIS DOCUMENT MUST NOT BE COPIED WITHOUT OUR PERMISSION,  
 AND THE CONTENTS THEREOF MUST NOT BE IMPARTED TO A THIRD  
 PARTY NOR BE USED FOR ANY UNAUTHORIZED PURPOSE.  
 CONTRAVENTION WILL BE PROSECUTED BY HAGS ANEBY AB



SECTION A-A  
1426



DETAIL B  
SCALE 1 : 5



8	1	Step Challenge Top Step Tread	GYM1811
7	1	Step Challenge Top Tread Support	GYM1809
6	44	Raised-head screw (M10x20)	10121020
5	44	M10 Form 'B' Washer	10291000
4	20	M10 T-Nut	10931000
3	4	Step Challenge Step Tread	GYM1810
2	4	Step Challenge Tread Support	GYM1808
1	2	Step Challenge Frame Fabrication	GYM1801

Balloon	Quantity	Description	Doc. ID
---------	----------	-------------	---------

Ritad / Designed	Kontrollerad / Checked	Godkänd / Approved	Status/State
APK 2016-04-29	-	-	-

Teoretisk vikt/ Theor. weight:	European projection first angle	Benämning / Description
112.74 kg		Step Challenge Assembly

<b>HAGS-SMP</b>	Blad/Sheet	Skala/Scale	Dokument nr / Document ID	Revision
Waterfront Complex, Selby, North Yorkshire, YO8 8AP Tel: +44 1757 703 620, http://www.hags-smp.com	A3	1(1)	1:10	GYM1800 -