

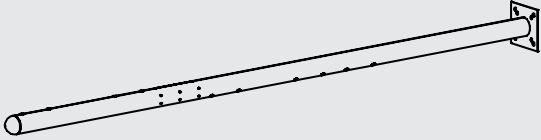
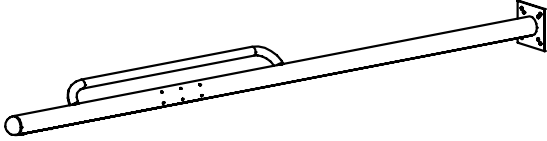
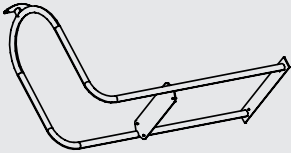

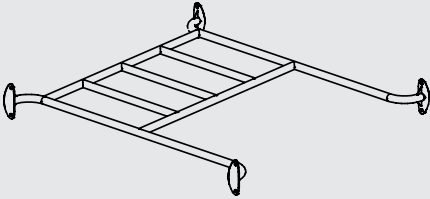
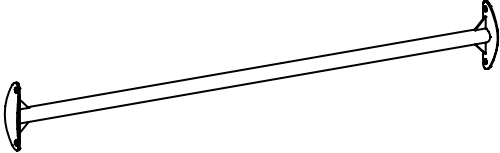

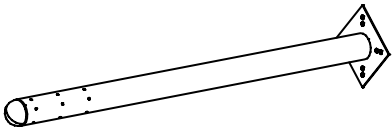
# HAGS<sup>®</sup>

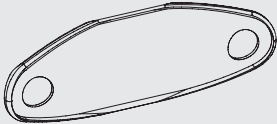

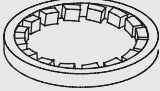
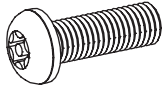

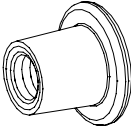

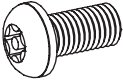
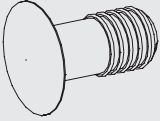
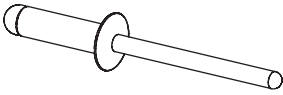
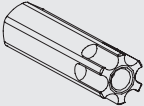
Installation Instructions

## Multi-Purpose Fitness Frame FS039

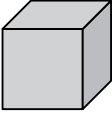


© Playpower Inc  
E-post:hags@hags.com  
www.hags.com

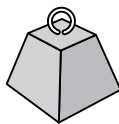
ITEM	REF	PART	Qty	Kg
1	GYM3001		3	33
2	GYM3002		1	38
3	GYM3004		1	25
4	GYM3010		1	1.35
5	GYM3005		1	40
6	GYM3006		1	8.5
7	GYM3007		2	5.25
8	GYM3003		1	13.5

ITEM	REF	PART	Qty	Kg
9	19023802		11	0.05
10	38001019	 M10 - 12 x 32 x 6.5	22	0.002
11	10301000	 M10 - 12 x 18 x 1	22	0.001
12	10121030	 M10 x 30	22	0.028
13	10301200	 M12 - 13 x 20 x 1	4	0.002
14	10931000		4	0.2
15	10291000	 M10 - 11 x 21 x 1	4	0.002
16	10121020	 M10 x 20	4	0.02
17	19024501		26	0.001
18	10360516	 Ø5.5	78	0.02
19	10121000	 T45 M10	1	0.05


ITEM	PART	ITEM	PART	ITEM	PART	ITEM	PART	ITEM	PART					
20	<p><b>HAGS®</b></p> <p>↑↓ = 12 x 3</p> <p>www.hags.com</p>	21	<p><b>HAGS®</b></p> <p>↑↓ = 5 x 3</p> <p>www.hags.com</p>	22	<p><b>HAGS®</b></p> <p>↑↓ = 6 x 3</p> <p>www.hags.com</p>	23	<p><b>HAGS®</b></p> <p>↔ = 10 x 2</p> <p>www.hags.com</p>	24	<p><b>HAGS®</b></p> <p>↑↓ = 4 x 2</p> <p>www.hags.com</p>	FS7000039A	FS7000039B	FS7000039C	FS7000039D	FS7000039E
25	<p><b>HAGS®</b></p> <p>↔ = 3 x 1</p> <p>www.hags.com</p>	26	<p><b>HAGS®</b></p> <p>↑↓ = 10 x 3</p> <p>www.hags.com</p>	27	<p><b>HAGS®</b></p> <p>↑↓ = 10 x 3</p> <p>www.hags.com</p>	28	<p><b>HAGS®</b></p> <p>↔ = 5 x 3</p> <p>www.hags.com</p>	30	<p><b>HAGS®</b></p> <p>↑↓ = 6 x 3</p> <p>www.hags.com</p>	FS7000039F	FS7000039G	FS7000039H	FS7000039J	FS7000039K
31	<p><b>HAGS®</b></p> <p>↑↓ = 10 x 3</p> <p>www.hags.com</p>	32	<p><b>HAGS®</b></p> <p>↔ = 3 x 2</p> <p>www.hags.com</p>	33	<p><b>HAGS®</b></p> <p>↑↓ = 10 x 2</p> <p>www.hags.com</p>					FS7000039L	FS7000039M	FS7000039N		



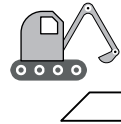
LxWxH (m)  
3.44 x 2.67 x 2.27




kg  
240



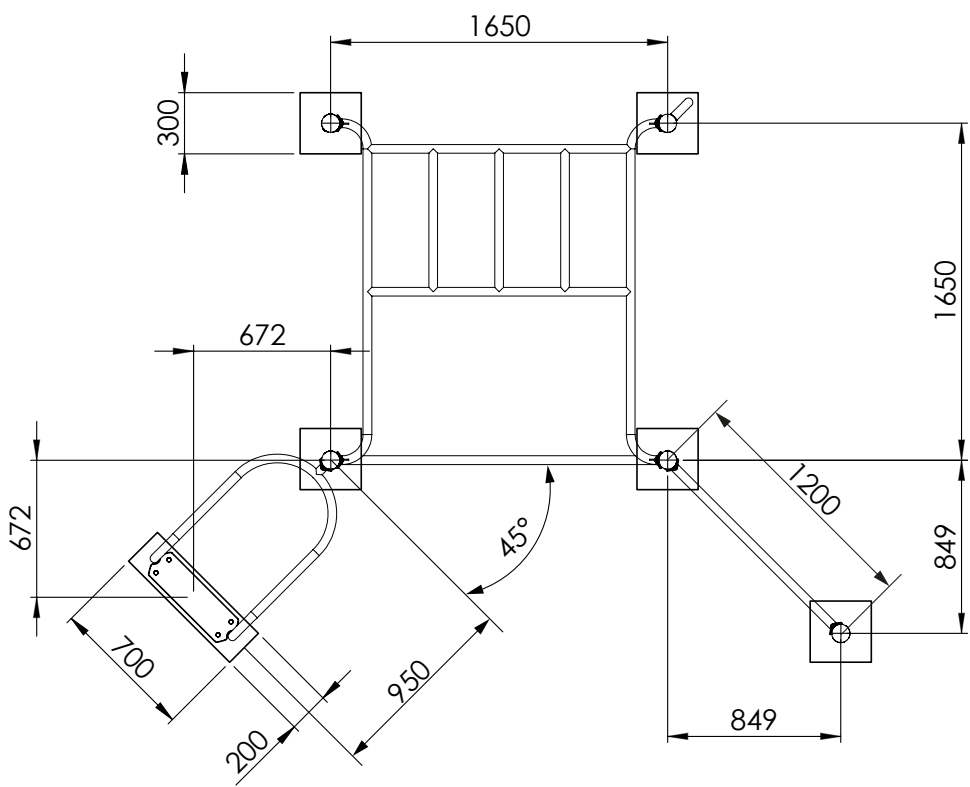
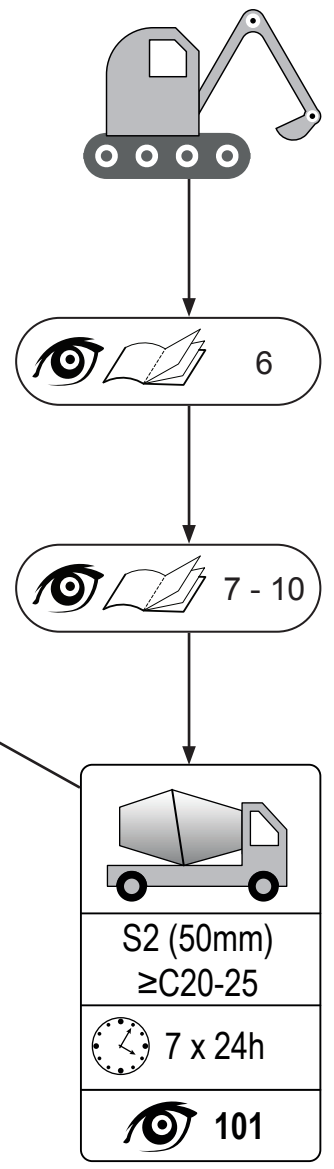
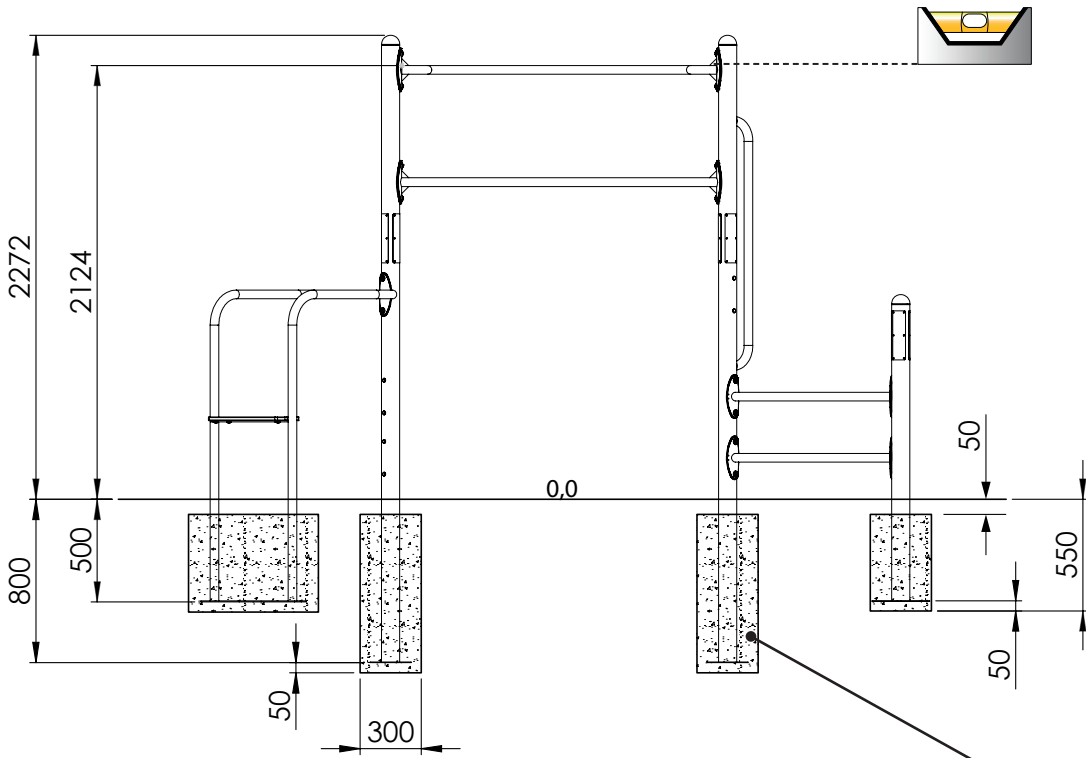
m<sup>3</sup>  
0.37

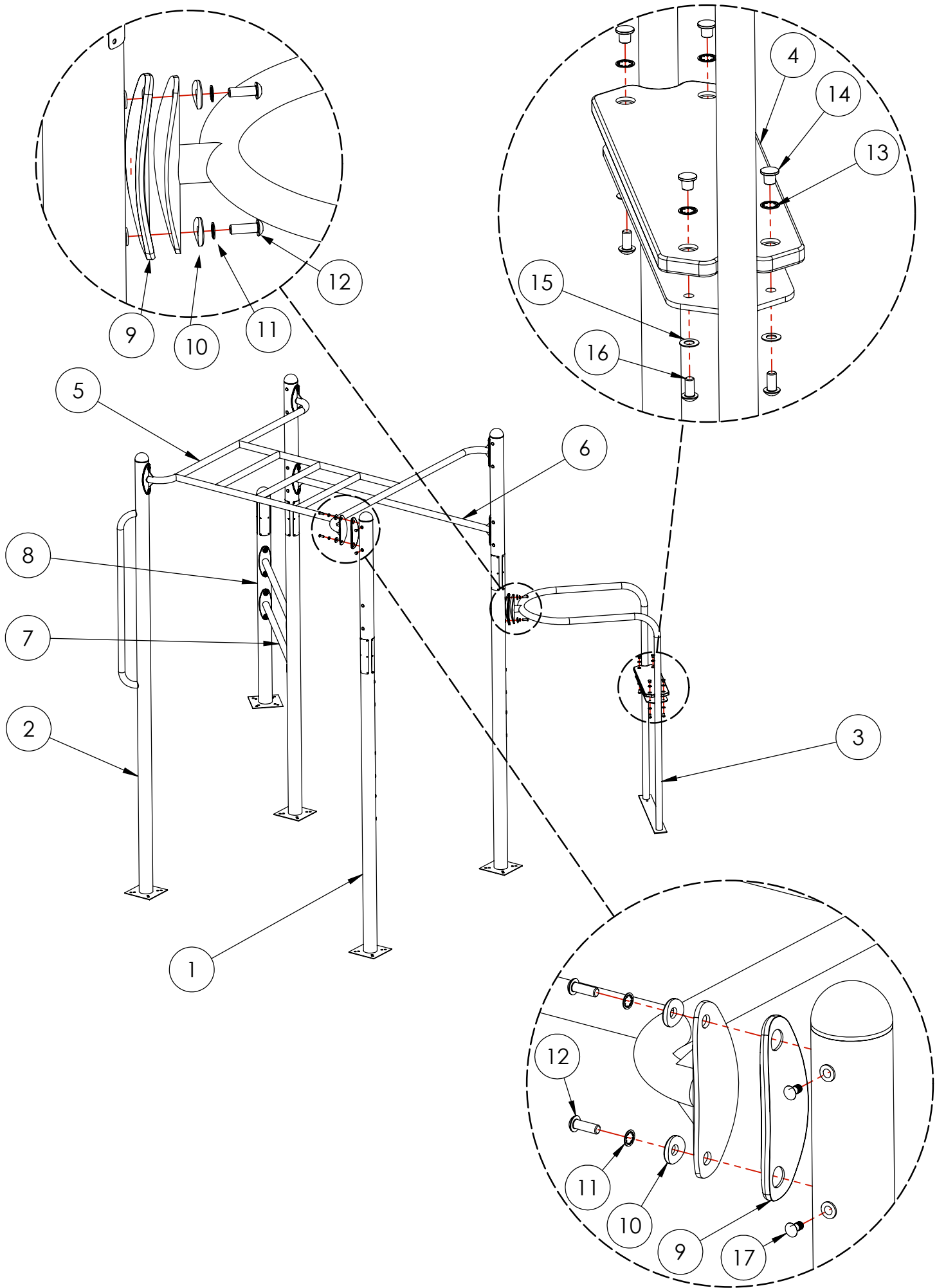


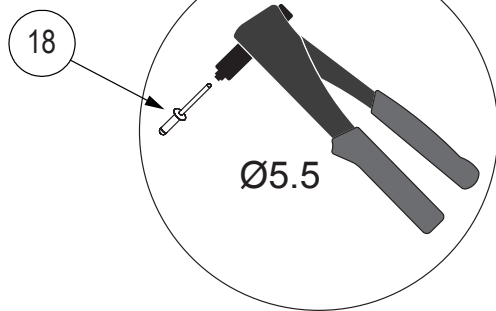
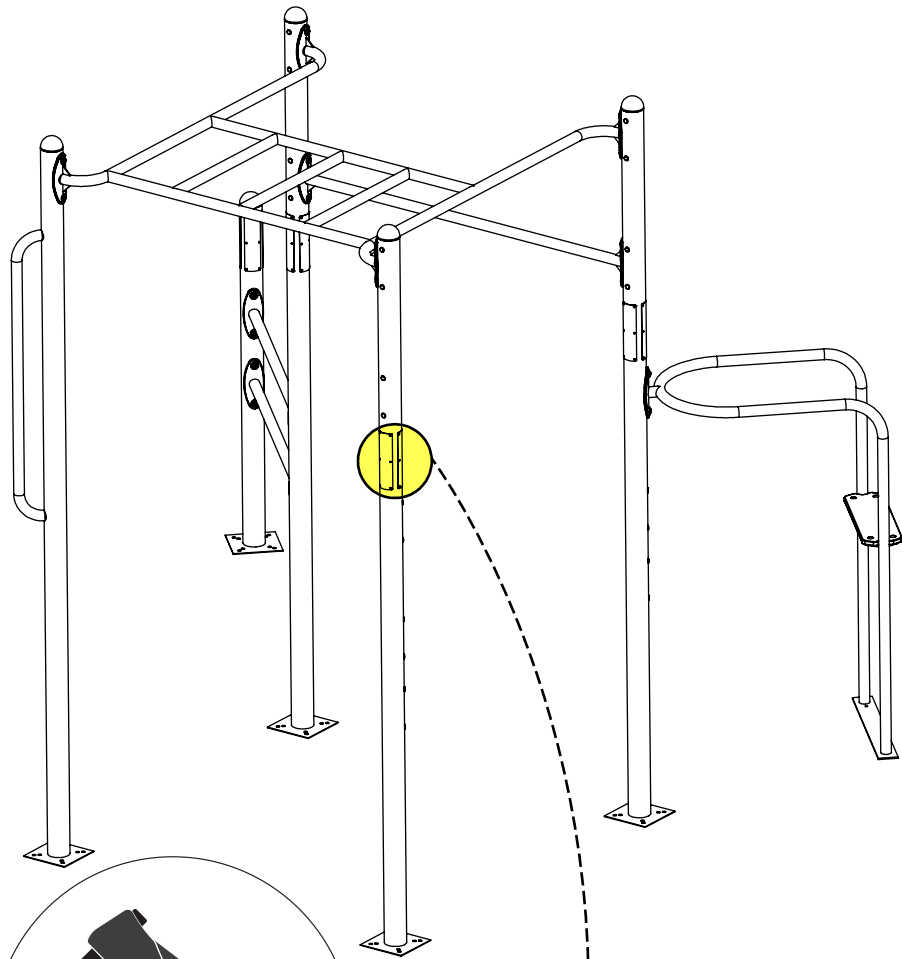
m<sup>2</sup>  
10 x 10



x 2 = T  
T = 14



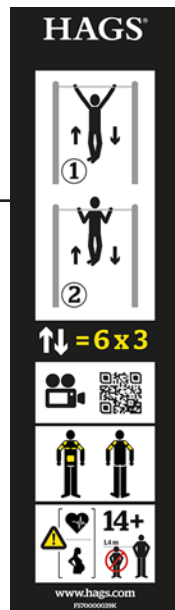




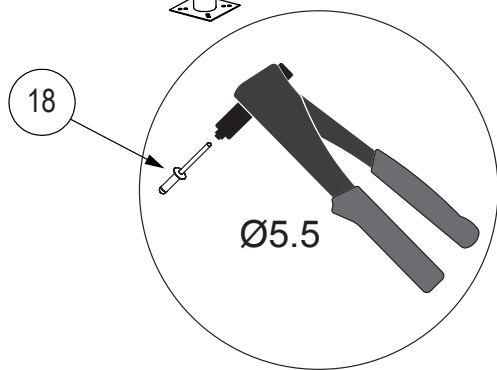
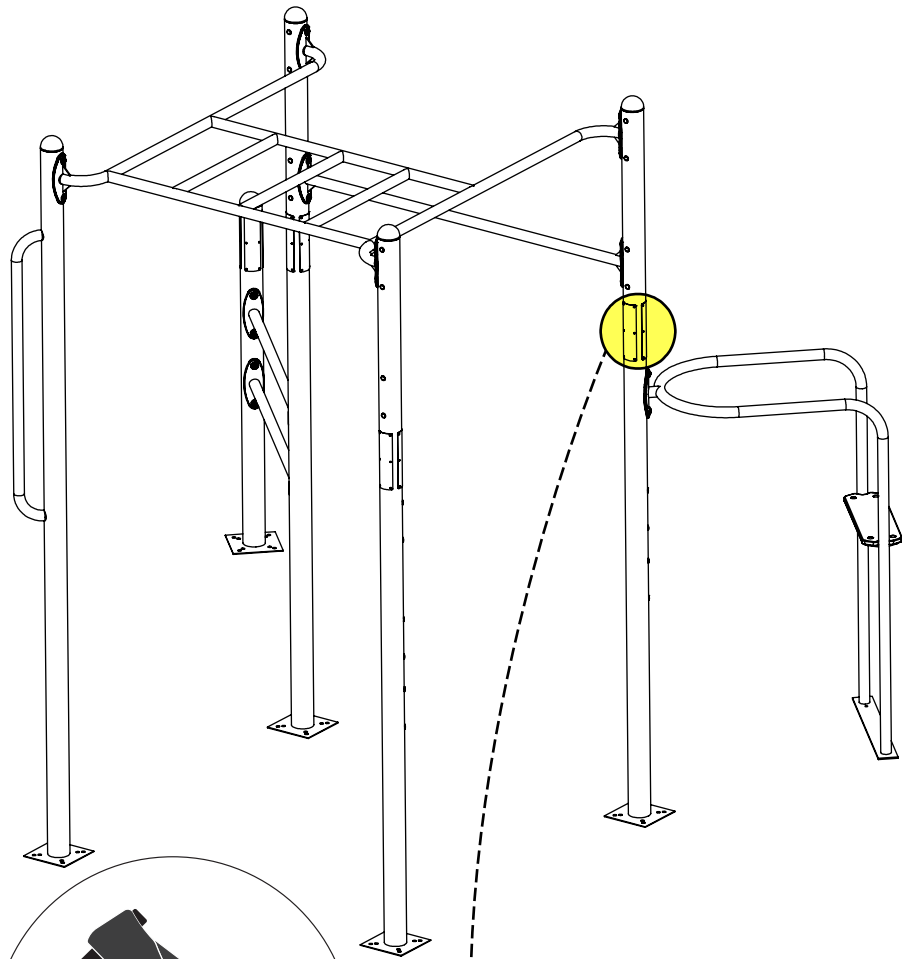
FS70000039C



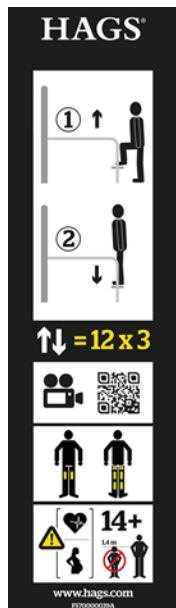
FS70000039H



FS70000039K



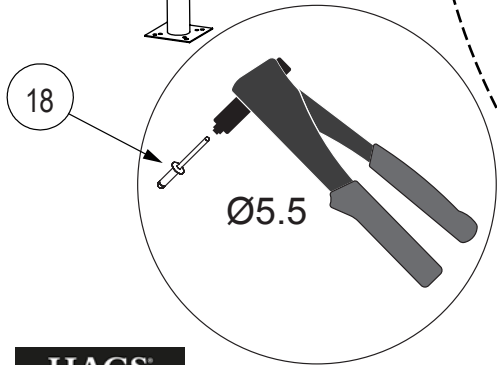
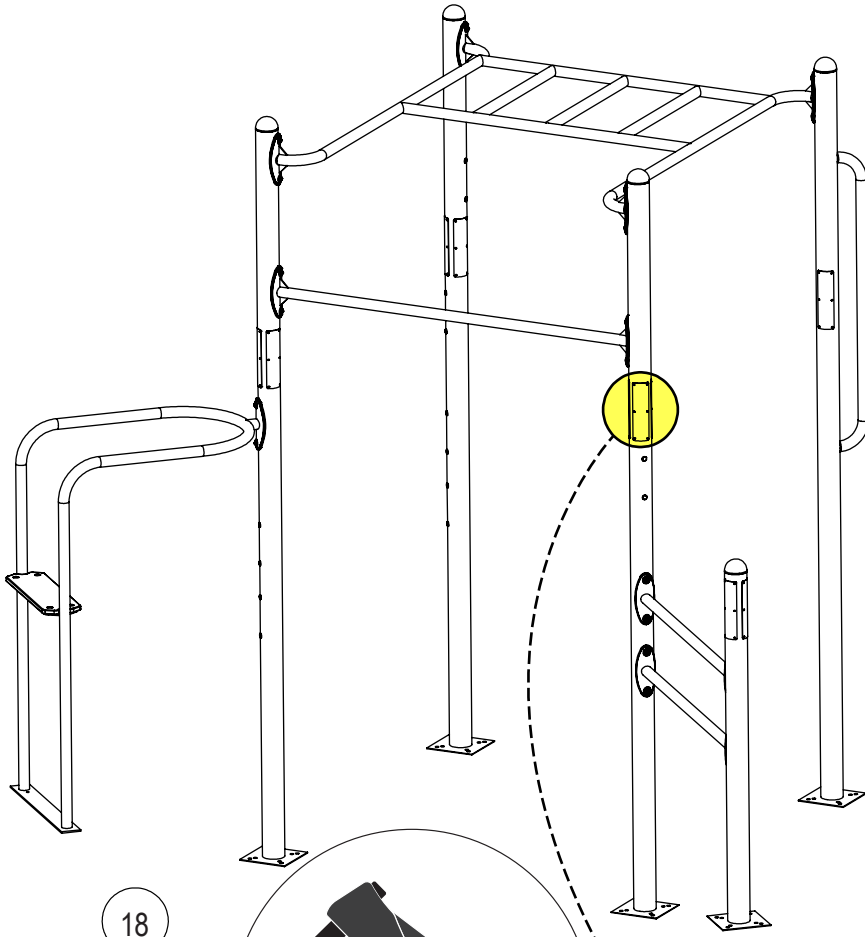
FS70000039B



FS70000039A



FS70000039J



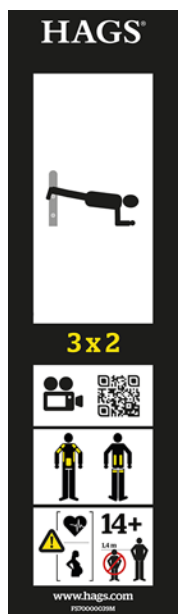
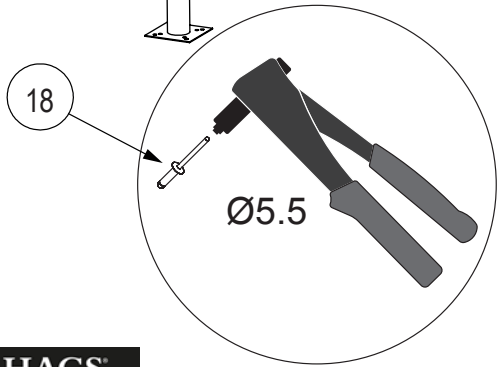
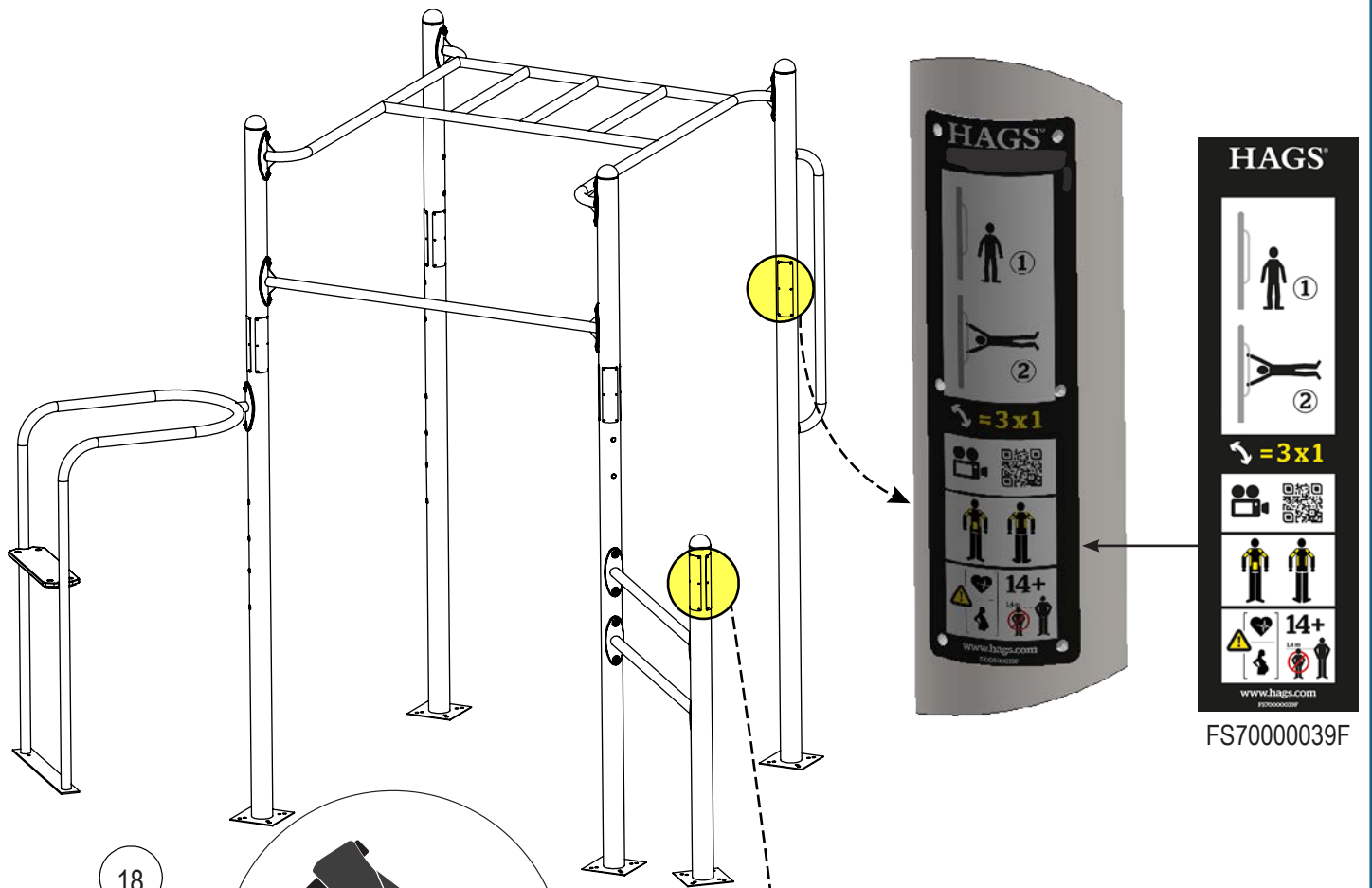
FS70000039L



FS70000039G



FS70000039E

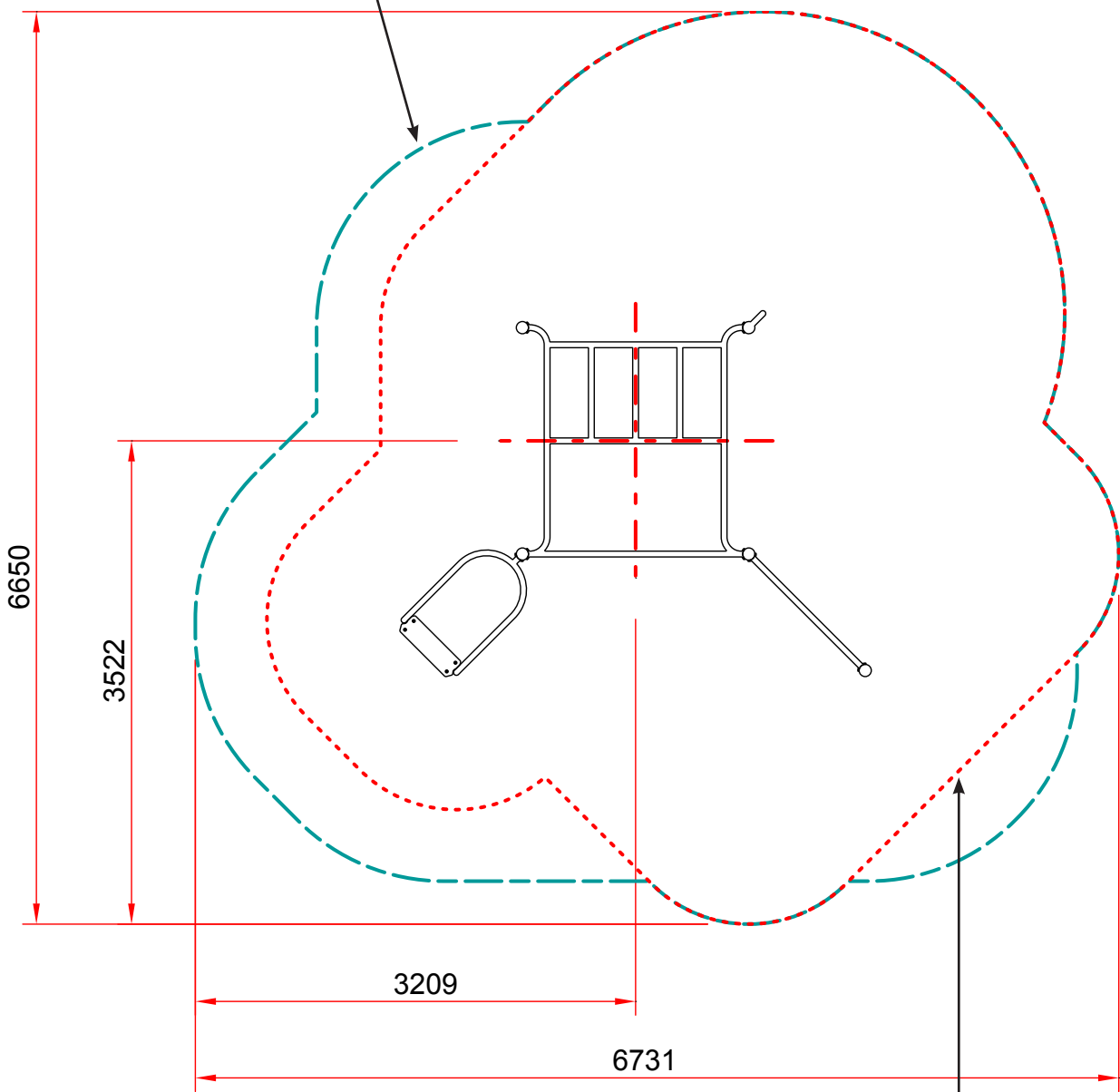
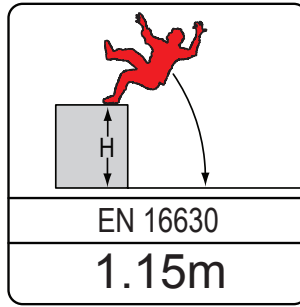
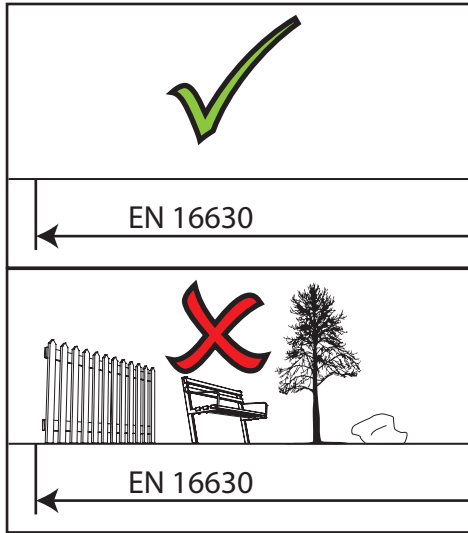


FS7000039M



FS7000039N





# Appendix A\_EN 16630 Zones

