

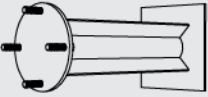

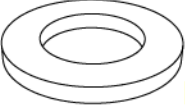
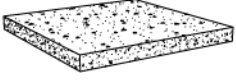
Fitness Range

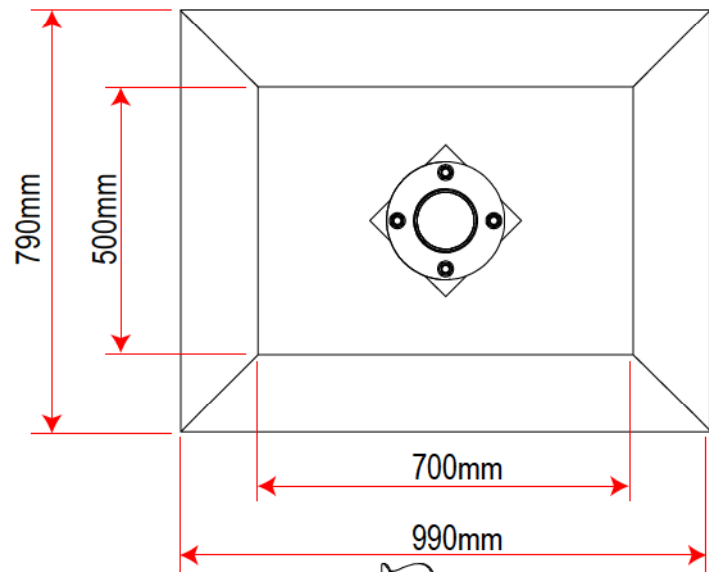
FS001N, FS002N, FS003N, FS004N,
FS005N, FS007N, FS008N, FS009N,
FS010N, FS011N, FS015N, FS016N





No part of this manual or document may be copied or re-produced in any form or by any means without the express permission of Hags-SMP.


E: sales@hags-smp.co.uk - W: www.hags-smp.co.uk - T: +44(0)845 260 1655

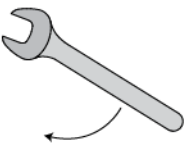
ITEM	REF	PART	Qty	ITEM	REF	PART	Qty
1	940301		1	2	10261600	 M16	4
3	10291600	 M16	4	4	INCL INCL	 500 x 500 x 50mm	1



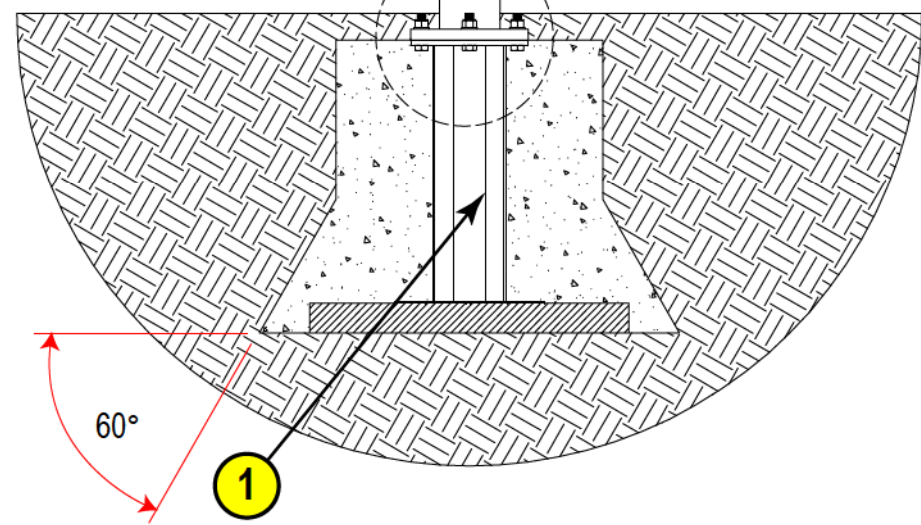
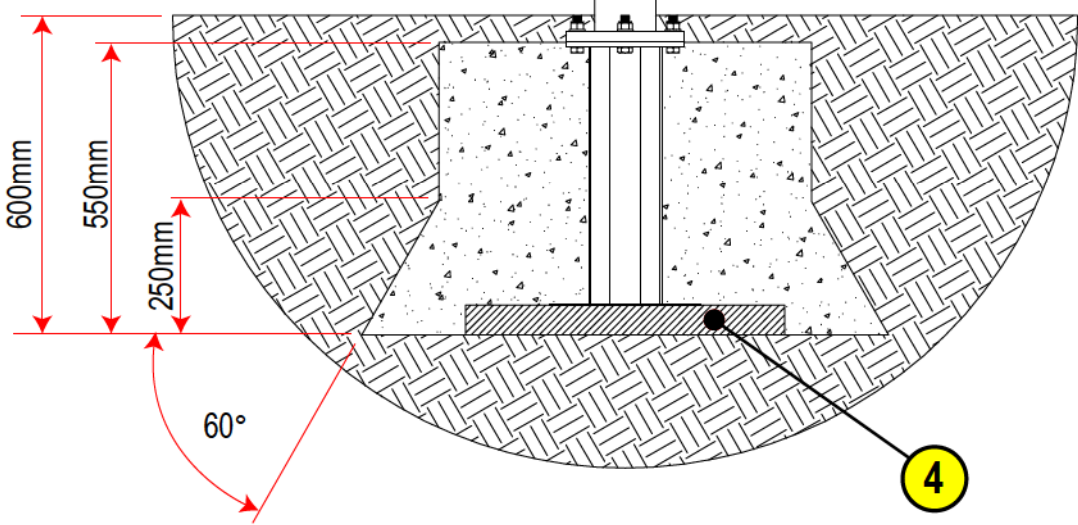
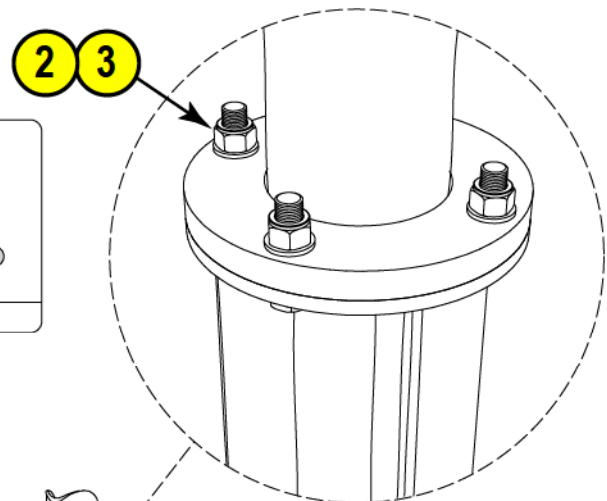

S2 (50mm)
≥C20-25

 7 x 24h

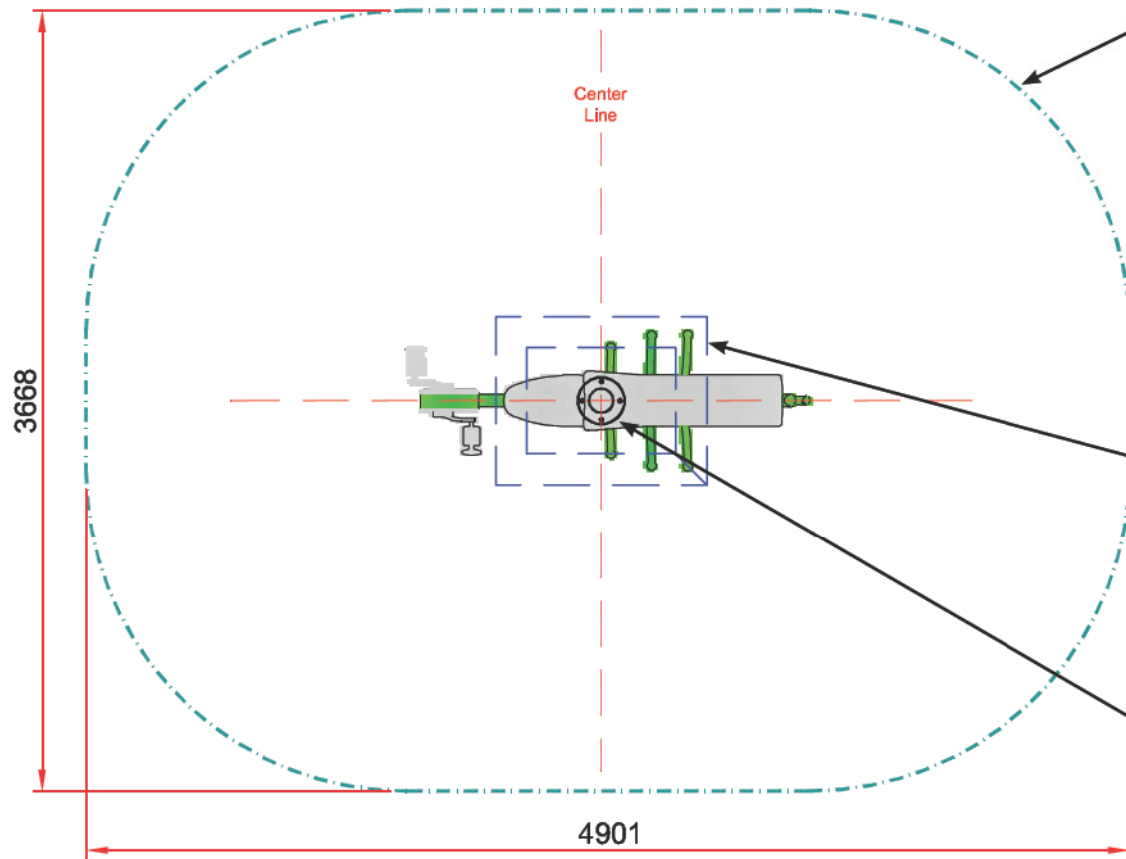
 101


120 Nm!

Fitness Range Ground Anchor



FS016N Trinity Cycle



DIN 79000/prEN 16630
DIN 79000/prEN 16630



2

Centre Line

The diagram shows a circular hub with a center line and a magnifying glass over an eye icon with an exclamation mark, indicating a warning or inspection point.

DIN79000/prEN16630
1.0m