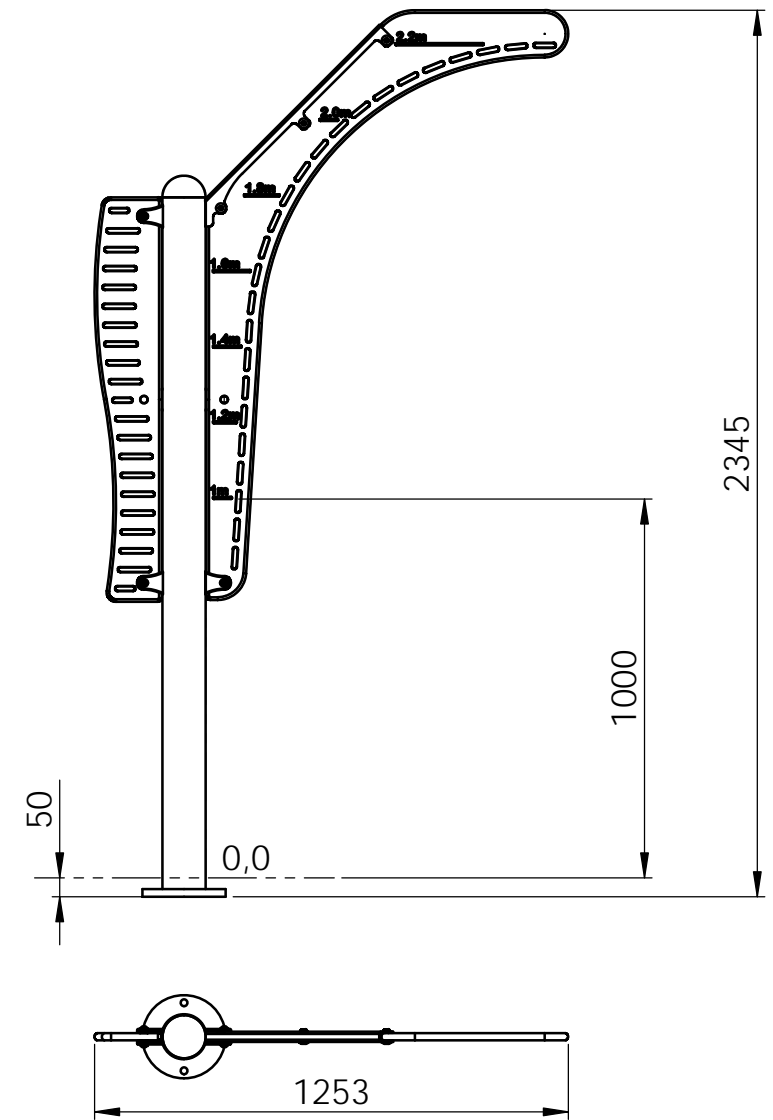
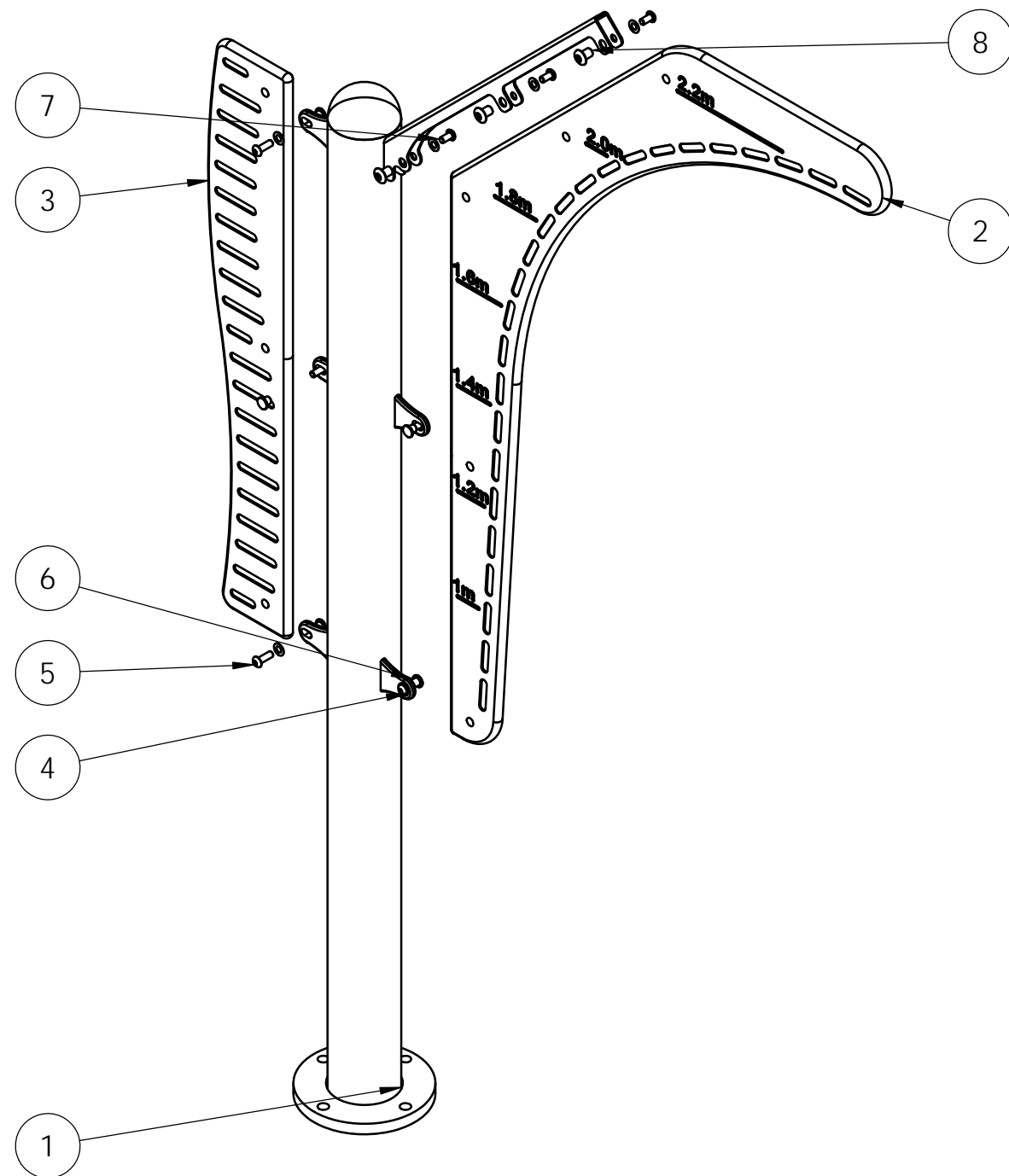


DENNA HANDLING FÄREJ UJAN VÄRT MEDGIVANDE KORREKTÄS
 ANVÄNDAS ÖVERTRÄDELSE HARAV BEVIRAS MED STÖD AV
 GÄLLANDE LAG. HAGS SMP.
 THIS DOCUMENT MUST NOT BE COPIED WITHOUT OUR PERMISSION.
 AND THE CONTENTS THEREOF MUST NOT BE MADE TO A THIRD
 PARTY NOR BE USED FOR ANY UNAUTHORIZED PURPOSE.
 CONTRAVENTION WILL BE PROSECUTED BY HAGS SMP.



Balloon		Description	Beskrivning	Doc. ID
8	3	M10 x 40 BARREL NUT		10301004
7	3	Raised-head screw (M10x20)		10121020
6	5	M10 T-Nut		10931000
5	5	Raised-head screw (M10x30)		10121030
4	8	M10 Form 'B' Washer		10291000
3	1	Finger Trace Board		GYM1906
2	1	Arm Lift Panel		GYM1905
1	1	Finger & Arm Lift Post		GYM1901

Ämne / Blank		Materialkvalitet / Material Quality		Dimension	
Ritad / Designed		Kontrollerad / Checked		Godkänd / Approved	
APK 2016-05-12		-		-	
Teoretisk vikt/ Theor. weight:	European projection first angle	Benämning / Description			
12.37 kg		Finger & Arm Lift Assembly			
HAGS-SMP		Blad/Sheet	Skala/Scale	Dokument nr / Document ID	Revision
Waterfront Complex, Selby, North Yorkshire, YO8 8AP Tel: +44 1757 703 620, http://www.hags-smp.com		A3	1(1)	1:10	GYM1900 -