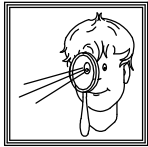


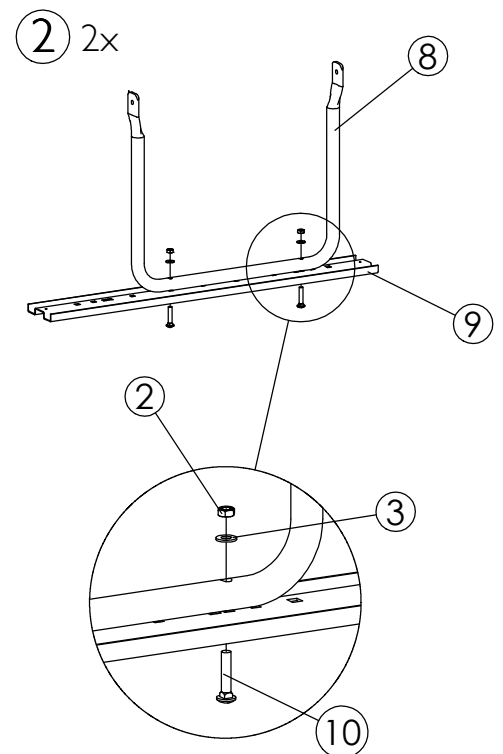
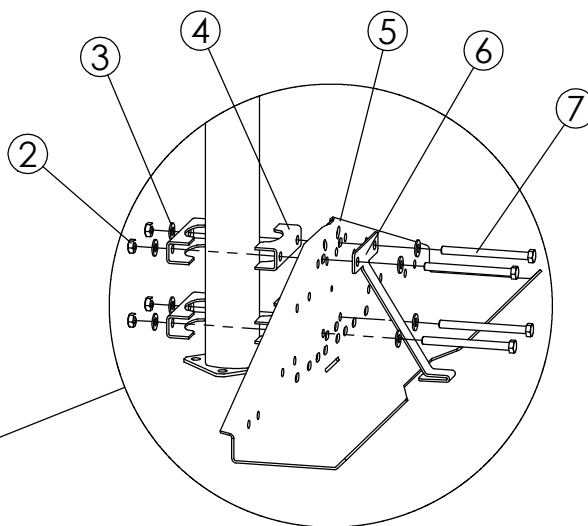
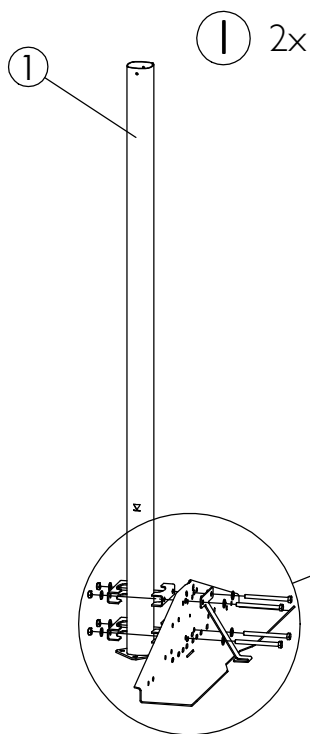
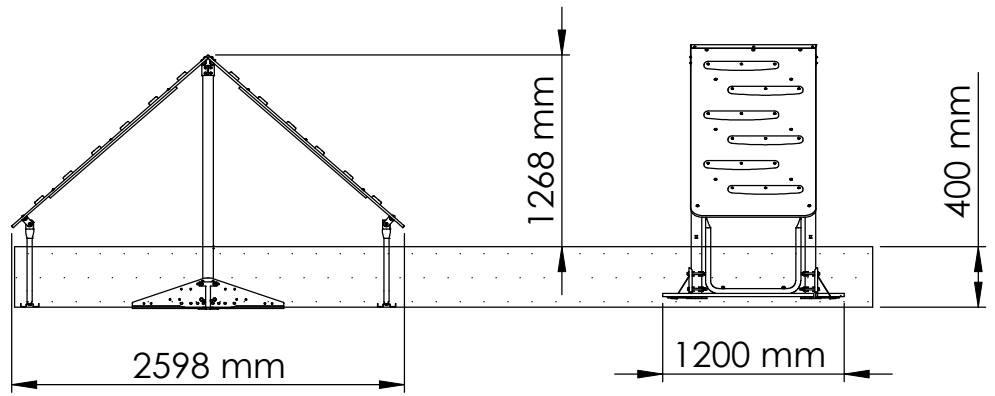
1h



Varje vecka
Every week
Jede woche
Chaque semaine



Varje säsong
Every season
Jedes Jahr
Chaque saison

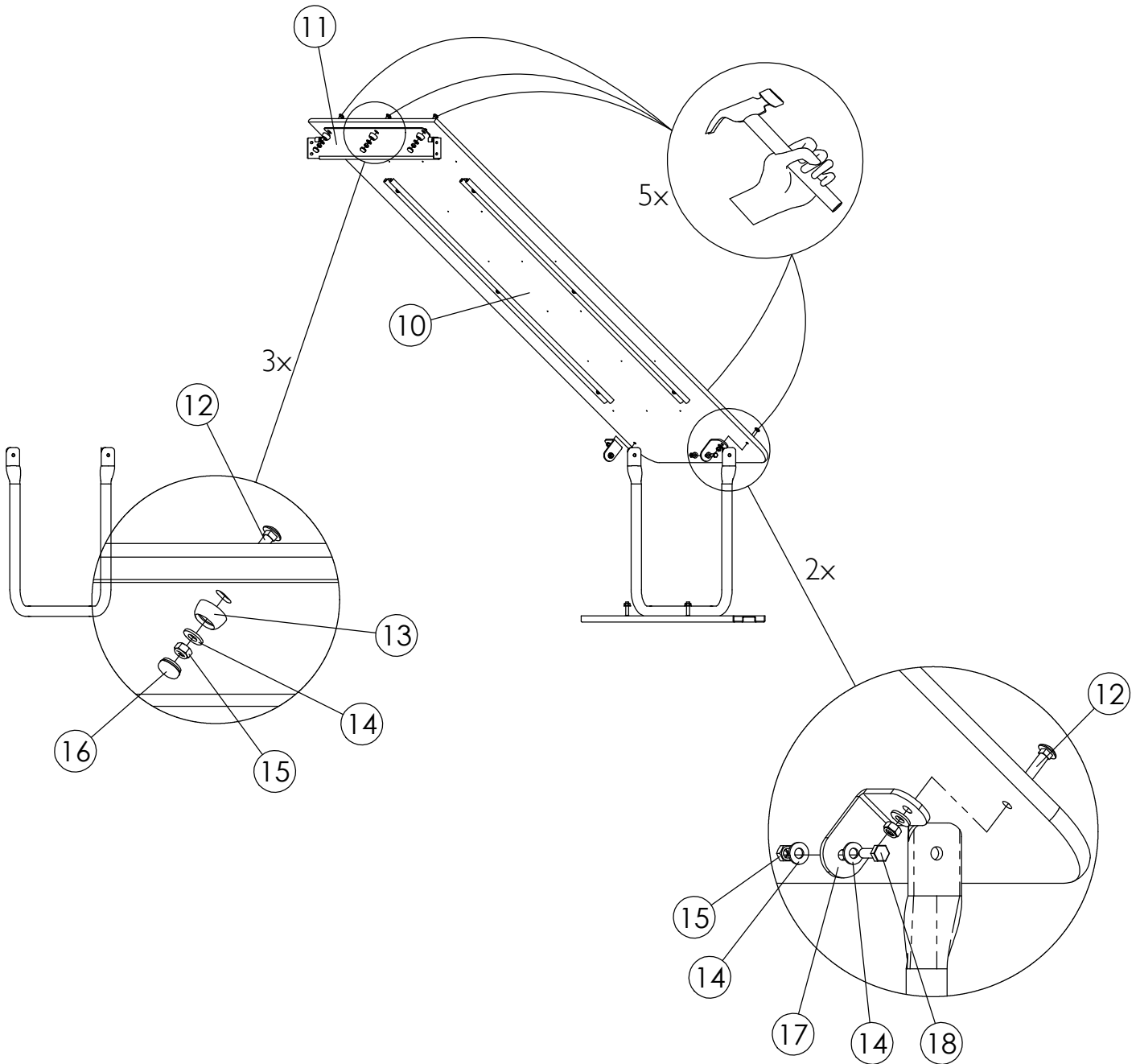


NR.	Description MA	Item Number	Qty
1	Post, L= 1612 mm	61001166	2
2	M6M-8 FZB M10	324103	12
3	Ø11x22x2 mm	326007	20
4	Distance 125x30x25	715610	8
5	1000x160x200 mm	14100005-01	2
6	Suport	15901011	2
7	M6S M10x120 mm	302223	8
8	631x555 mm	610065	2
9	1000x121x21 mm	610072-03	2
10	MVBF FZY M10x50 mm	304655	4

HAGS ANEBY, SWEDEN
+46(0)380-47300
www.hags.com

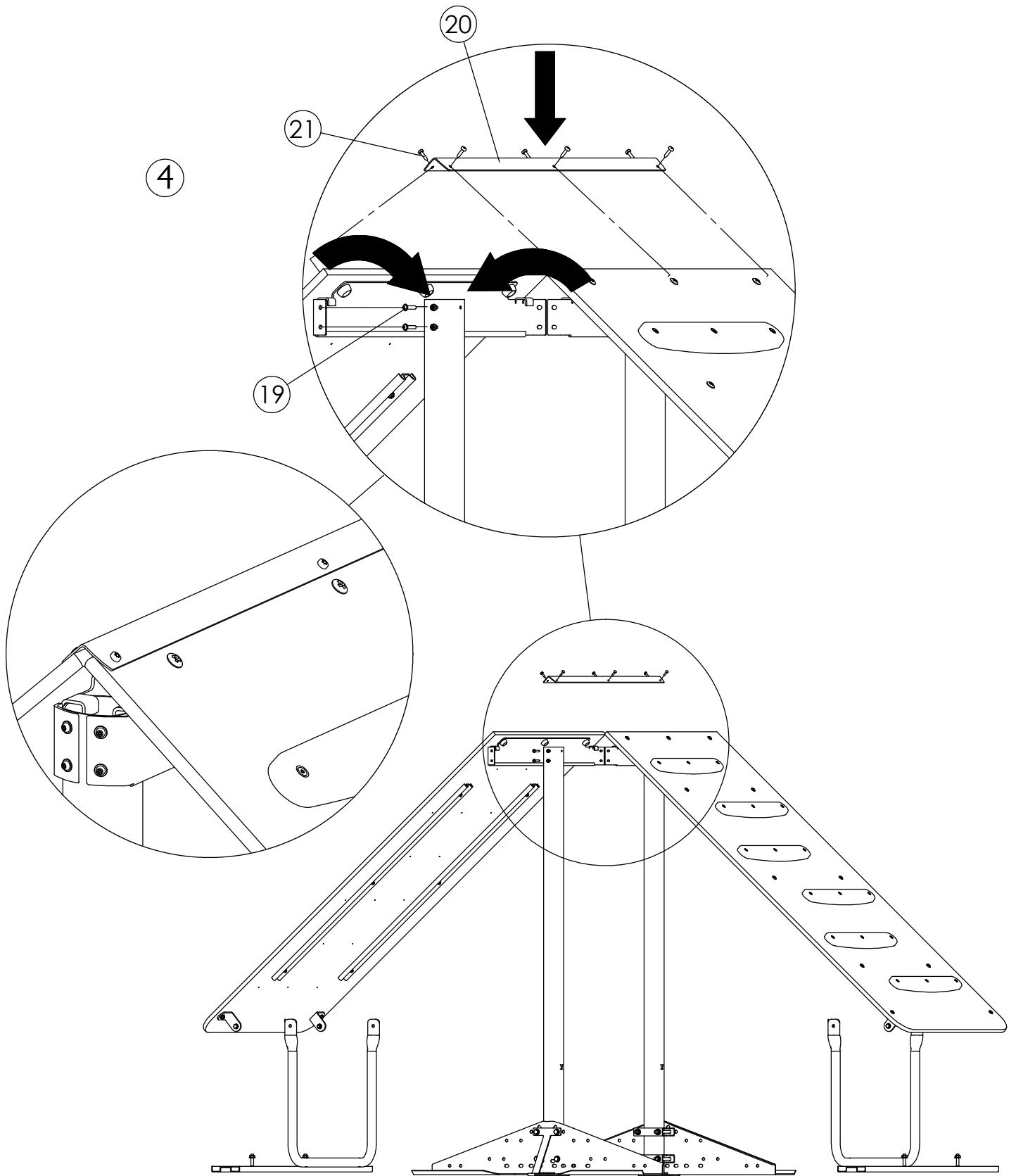
Hill Climb
159 111
1 (3)

③ 2x



NR.	Description MA	Item Number	Qty
10	Ramp Big	15911110	2
11	Bracket	15911111	2
12	MVBF M8x30 mm	304602	10
13	Cap 8, Ø27x12 mm	261806	6
14	Washer 9x18x2 mm	326017	18
15	Lock Nut M8	324102	14
16	Cover 8, Ø18x10mm	261808	6
17	VINKELFÄSTE,RAMP	610063	4
18	M6S M8x25 mm	302558	4
22	631x555 mm	610065	2

HAGS	<small>ANEBY, SWEDEN +46(0)380-47300 www.hags.com</small>			
	Hill Climb 159 111 2 (3)			
				2010-06-15 1



NR.	Description MA	Item Number	Qty
19	T-27 Torx 6x25mm	302897	8
20	Cover Plate 830x35x35 mm	15911113	1
21	TKT 5x20 mm	312254	6
22	631x555 mm	610065	2

HAGS

ANEBY, SWEDEN
+46(0)380-47300
www.hags.com

Hill Climb
159 111
3 (3)





 2010-06-15 | 1