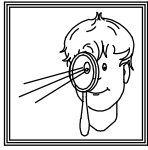


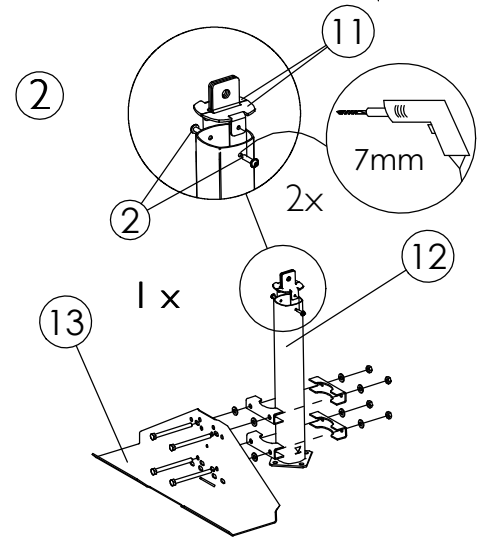
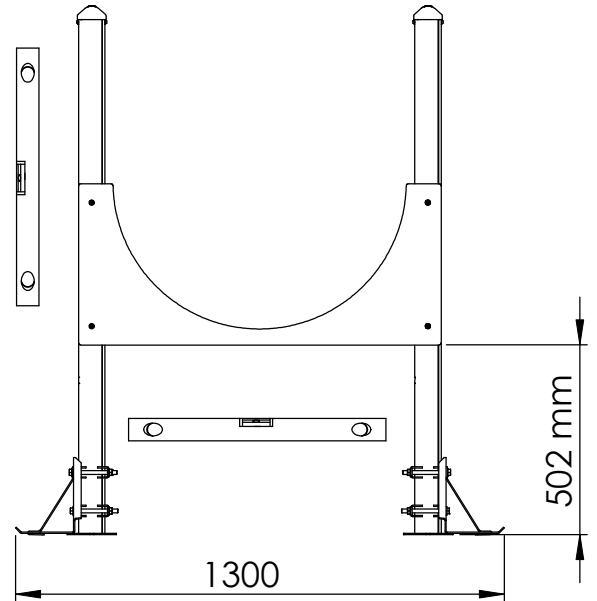
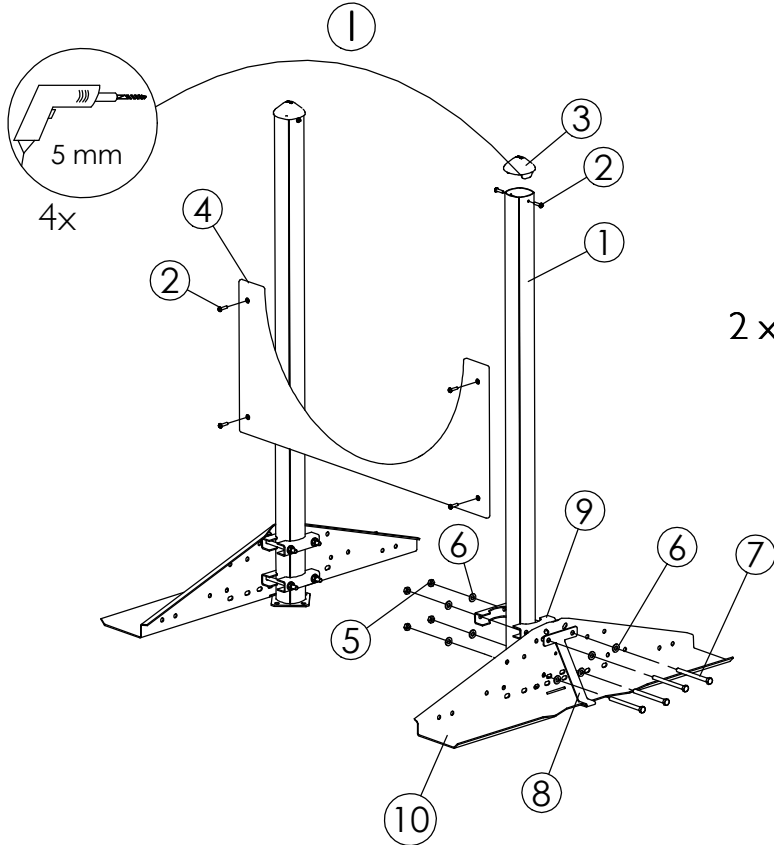
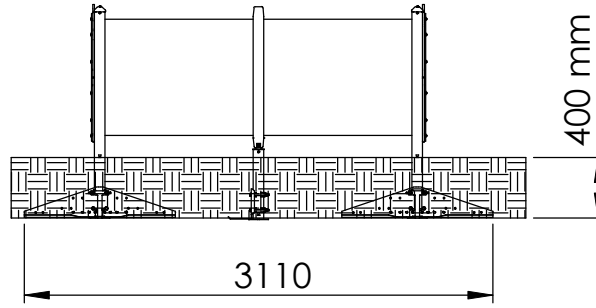
1,5h



Varje vecka
Every week
Jede woche
Chaque semaine



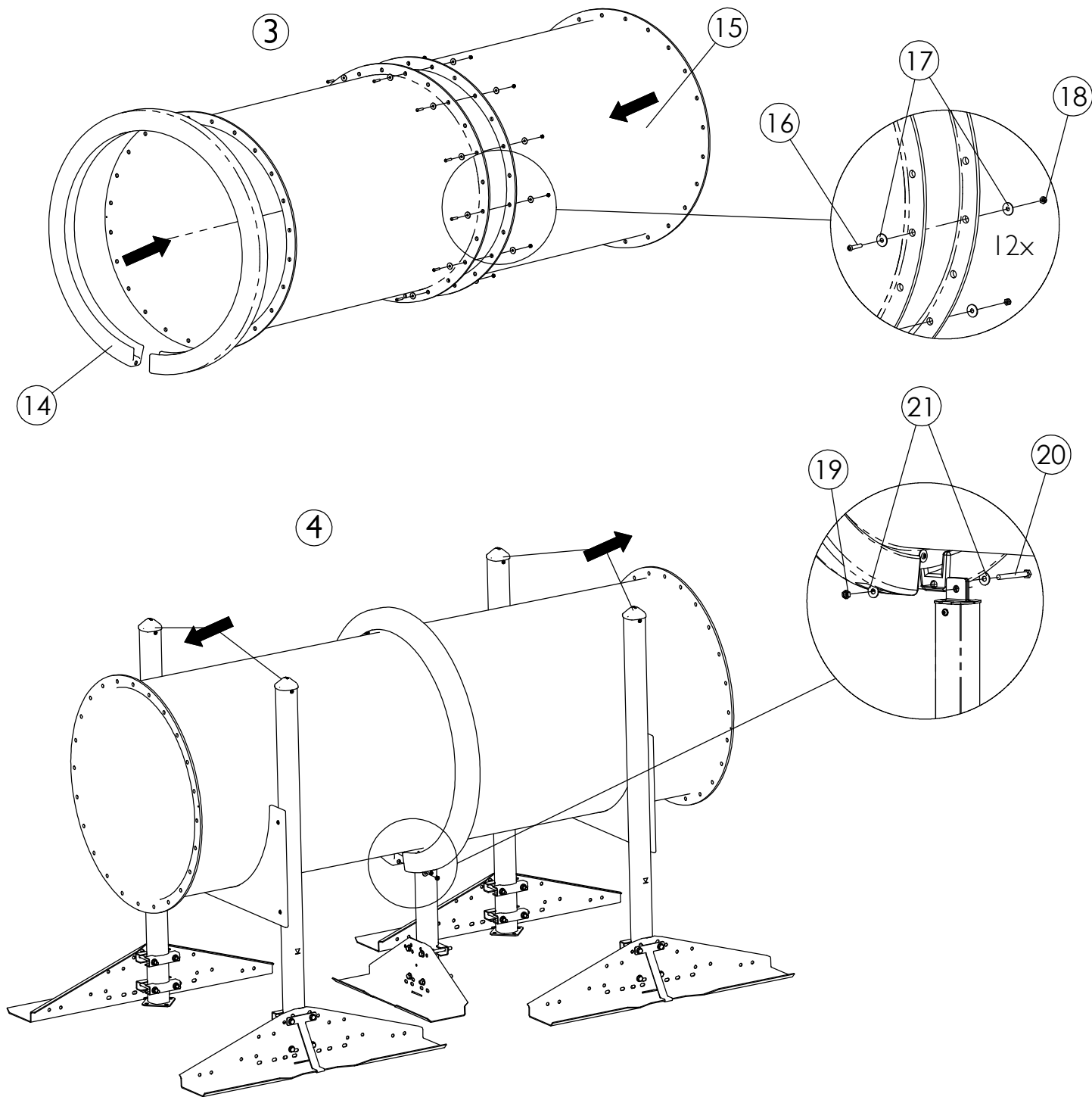
Varje säsong
Every season
Jedes Jahr
Chaque saison



NR.	Description MA	Item Number	Qty
1	Post, L= 1372 mm	61000926	4
2	T-27 Torx 6x25mm	302897	26
3	70x70x50 mm	262532	4
4	TUBE PANNEL 1290x950x12	15901610	2
5	M6M-8 FZB M10	324103	20
6	SRB 11x22x2	326007	40
7	M6S M10x120 mm	302223	20
8	Suport	15901011	4
9	Distance 125x30x25	715610	20
10	1000x160x200 mm	14100005-01	4
11	Joint Bracket	715611	2
12	Post, L= 464 mm	15911211	1
13	620x160x200 mm	14100004	1

HAGS ANEBY, SWEDEN
+46(0)380-47300
www.hags.com

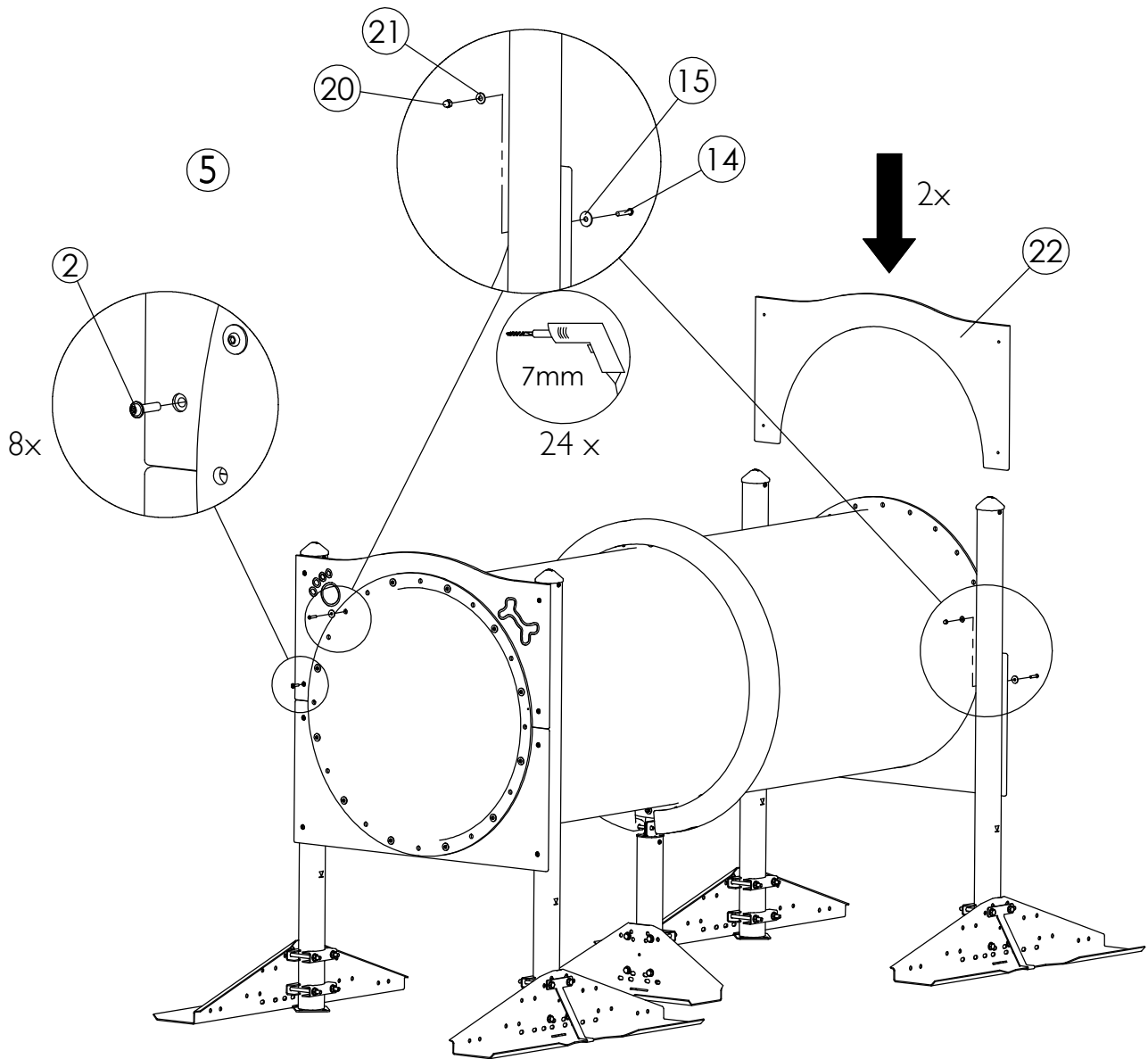
Crawl Through
159 115
1 (3)



NR.	Description MA	Item Number	Qty
14	Join Clip Ø935x140x70	2811342015	1
15	Strait tube	2811342012	2
16	K6S 10.9 M6x30 FZY 20my	302476	36
17	Ø7x22x1,5 mm	326000	48
18	Lock Nut M6	324101	12
19	Lock Nut M8	324102	1
20	M6S M8x80 mm	302169	1
21	Ø9x22x1,5 mm	326002	2

HAGS ANEBY, SWEDEN
+46(0)380-47300
www.hags.com

Crawl Through
159 115
2 (3)



NR.	Description MA	Item Number	Qty
2	T-27 Torx 6x25mm	302897	26
11	Lock Nut M6	324101	12
14	K6S 10.9 M6x30 FZY 20my	302476	36
15	Ø7x22x1,5 mm	326000	48
20	Dome Nut M6	321048	24
21	SRB 7x16x1,5 mm	326001	24
22	Tube Pannel 1290x950x12 mm	15901611	2
23	M6S M8x80 mm	302169	1
24	Lock Nut M8	324102	1

HAGS

ANEBY, SWEDEN
+46(0)380-47300
www.hags.com

Crawl Through
159 115
3 (3)

SB
NN
2010-06-15
1