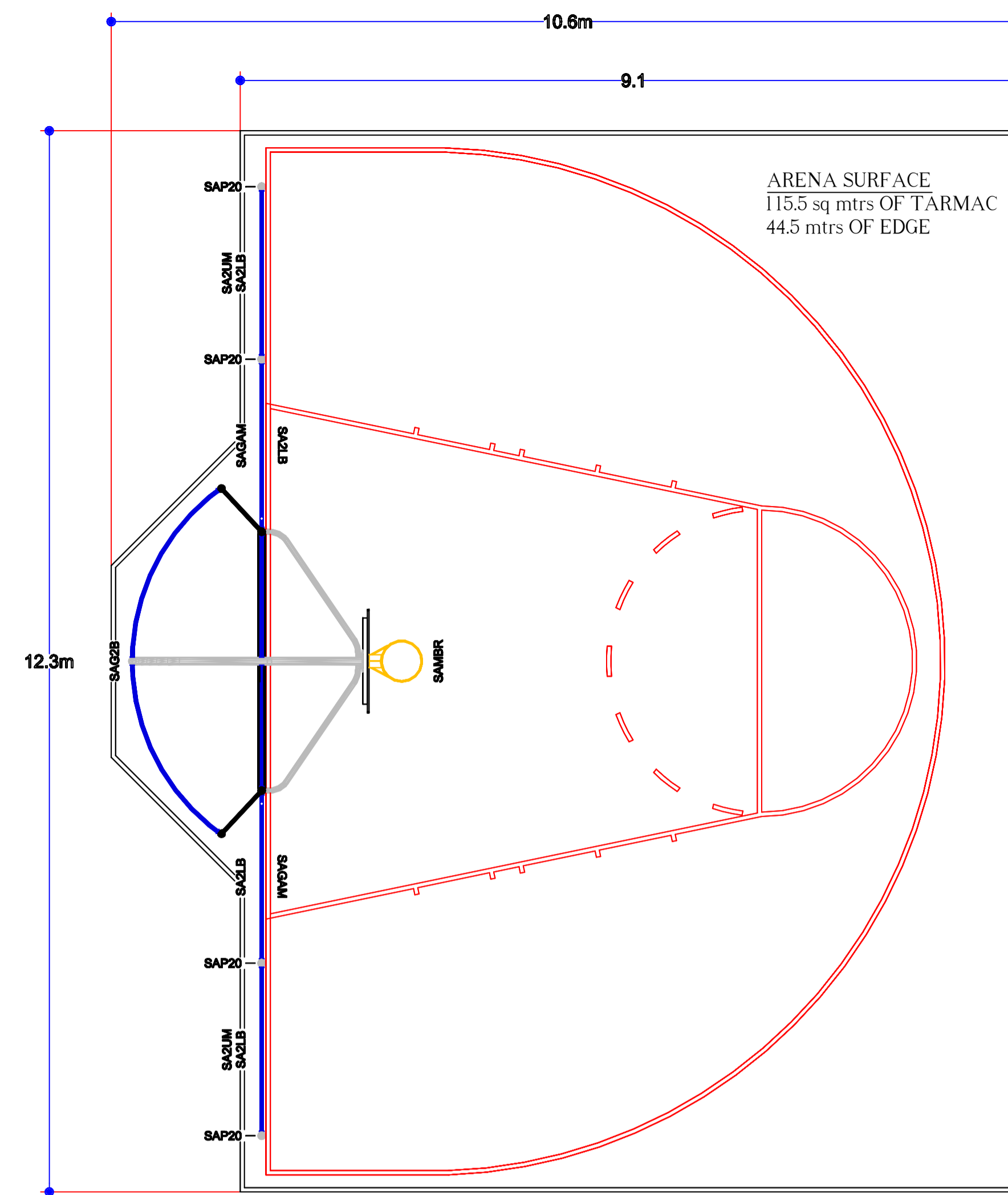
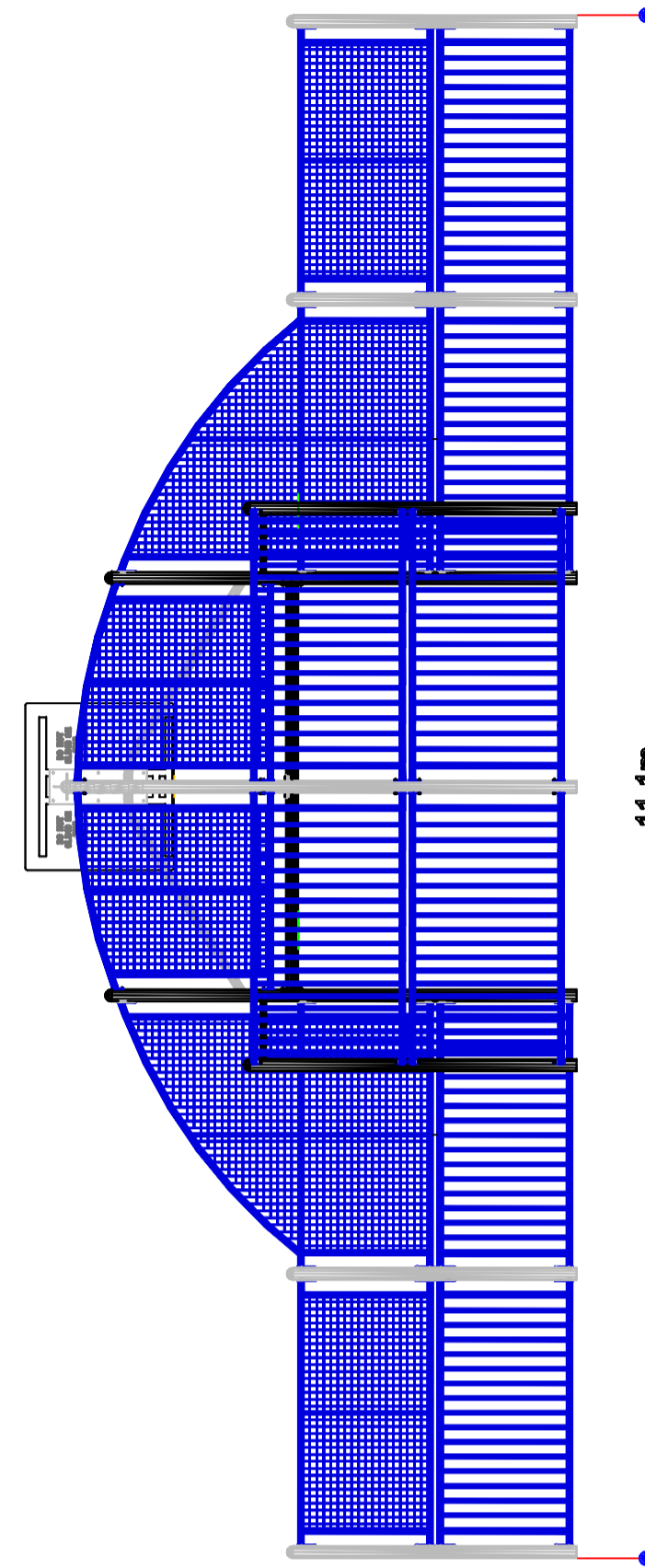


**Components List**  
**UTAH**  
 Drawing No:33794\_Item5

Code	Description	Qty	Extended Weight (kgs)	Extended Concrete
SA2LB	LOWER BAR FRAME 2M	4	158.40	0.00
SA2UM	UPPER MESH FRAME 2M	2	63.20	0.00
SAG2B	GOAL SECTION	1	354.00	1.01
SAGAM	ARCH SIDE PANEL- MESH	2	94.40	0.00
SAMBR	1.2M REACH BOARD & HOOP	1	94.47	0.00
SAP20	2.0M HIGH POST	4	84.00	0.25
		14	848.47	1.26

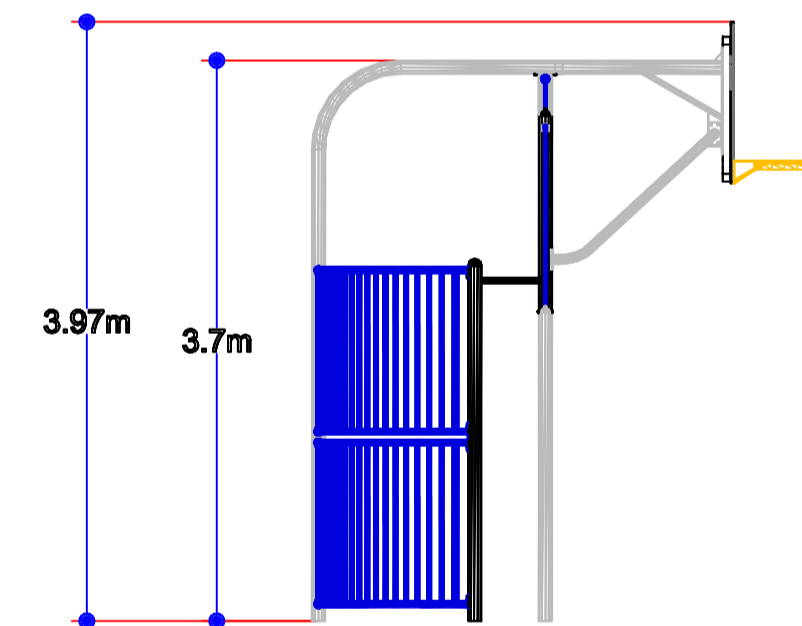
REFER TO ARENA INSTALLATION INSTRUCTIONS FOR COMPONENTS AND INSTALLATION



**NOTES**  
 DIMENSIONS SHOWN FOR TARMAC ARE TAKEN FROM THE OUTSIDE OF THE PRE-CAST CONCRETE EDGE. DIMENSIONS SHOWN FOR EQUIPMENT ARE TAKEN FROM THE OUTERMOST FACE

**REVISION**

20/10/04 - Original	ISSUE A
04/06/10 - Amendment by J.F. Check by N.B. Border amended for international use.	ISSUE B



**ARENA**  
 Sports **SYSTEM**

CUSTOMER

PROJECT

TITLE

ARENA SPORTS SYSTEM  
 UTAH SA-UT 11m

DATE 20/10/04 SCALE 1:50

DRAWN BY : D.W. CHECKED BY : J.C.

DRAWING No. 33794 ISSUE **B**

SHEET **1** OF **1**