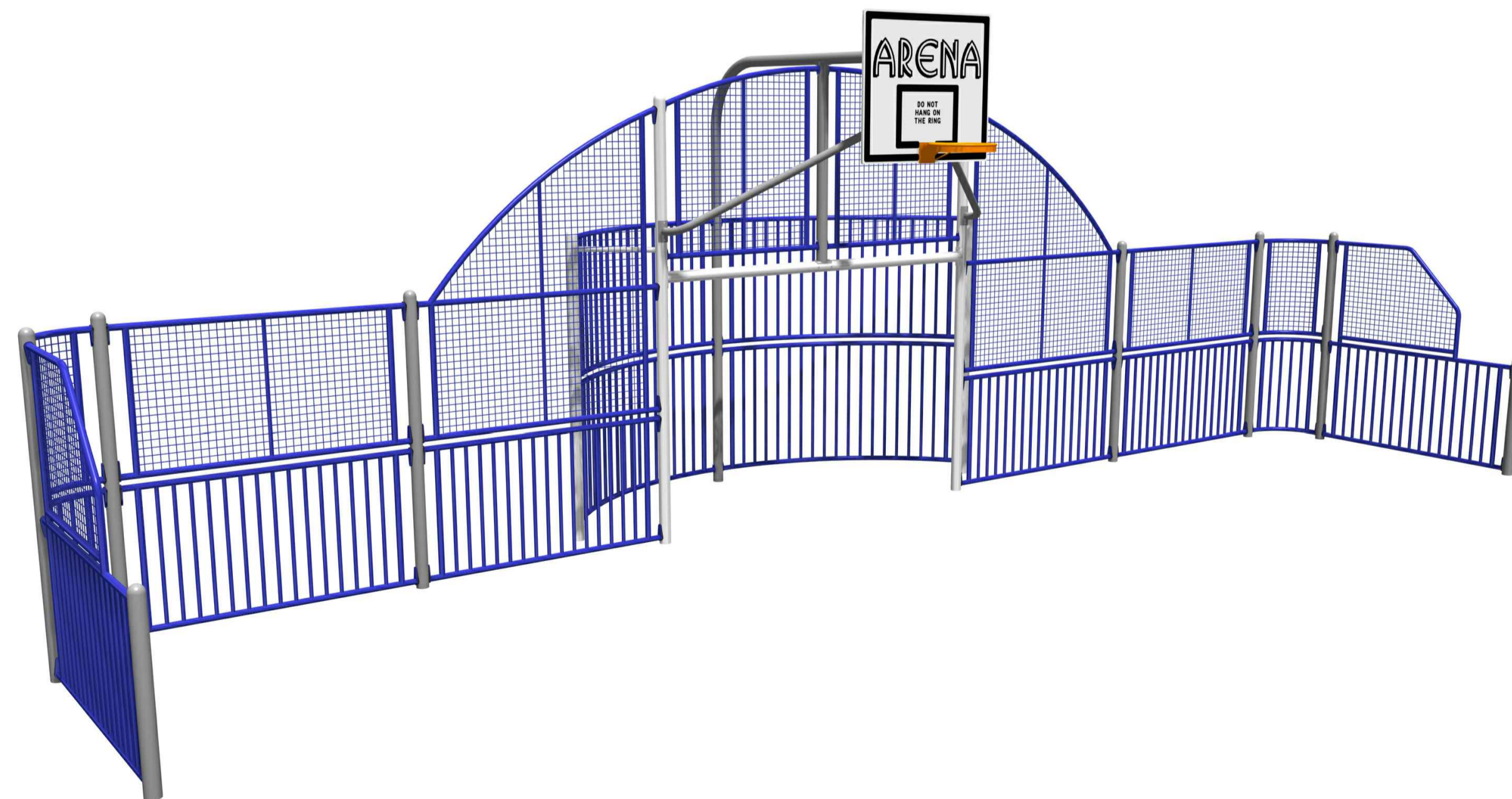
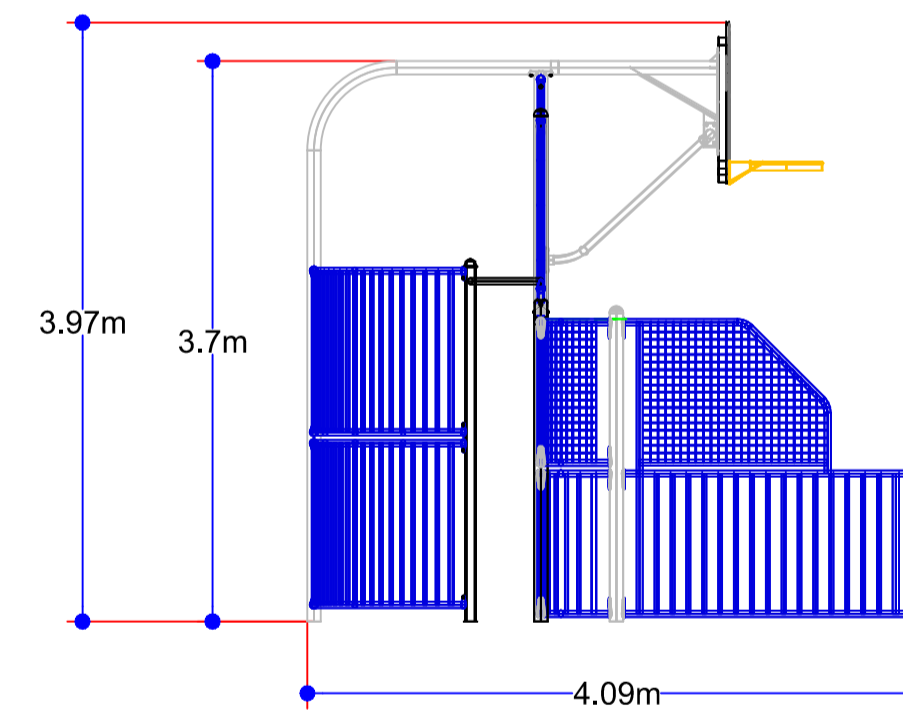
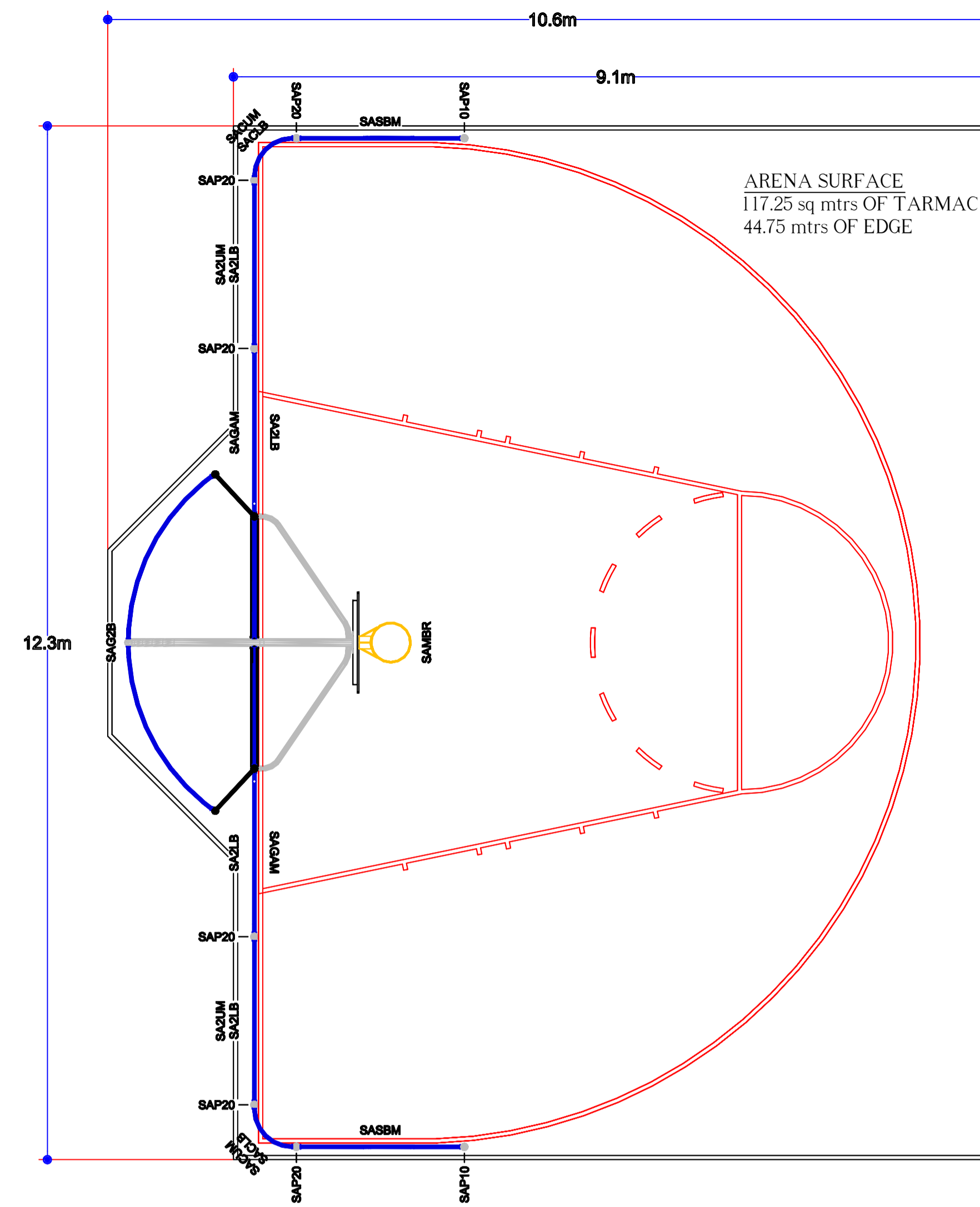
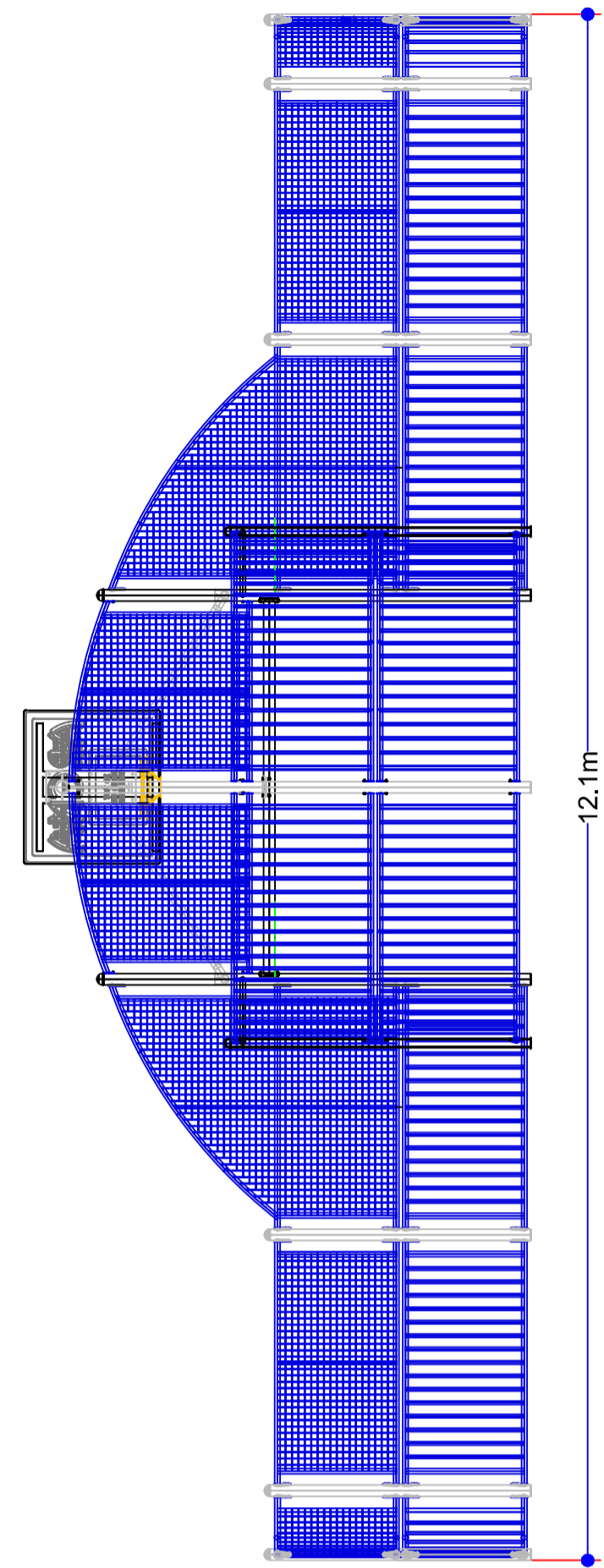


Components List
TORONTO
Drawing No:33799_Item2

Code	Description	Qty	Extended Weight (kgs)	Extended Concrete
SA2LB	LOWER BAR FRAME 2M	4	158.40	0.00
SA2UM	UPPER MESH FRAME 2M	2	63.20	0.00
SACLB	CURVED BAR FRAME	2	30.60	0.00
SACUM	CURVED MESH FRAME	2	26.60	0.00
SAG2B	GOAL SECTION	1	354.00	1.01
SAGAM	ARCH SIDE PANEL- MESH	2	94.40	0.00
SAMBR	1.2M REACH BOARD & HOOP	1	94.47	0.00
SAP10	1.0M HIGH POST	2	30.00	0.10
SAP20	2.0M HIGH POST	6	126.00	0.38
SASBM	ANGLED FRAME- BAR/MESH	2	118.60	0.00
		24	1,096.27	1.49

REFER TO ARENA INSTALLATION INSTRUCTIONS FOR COMPONENTS AND INSTALLATION



NOTES
 DIMENSIONS SHOWN FOR TARMAc ARE TAKEN FROM THE OUTSIDE OF THE PRE-CAST CONCRETE EDGE. DIMENSIONS SHOWN FOR EQUIPMENT ARE TAKEN FROM THE OUTERMOST FACE

REVISION

21/10/04 - Original	ISSUE A
04/06/10 - Amendment by J.F. Check by N.B. Border amended for international use.	ISSUE B



CUSTOMER

PROJECT

TITLE

ARENA SPORTS SYSTEM
 TORONTO SA-TO 12m

DATE	21/10/04	SCALE	1:50
DRAWN BY :	D.W.	CHECKED BY :	J.C.

DRAWING No. 33799 ISSUE B