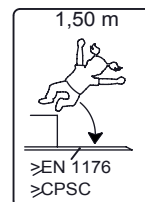
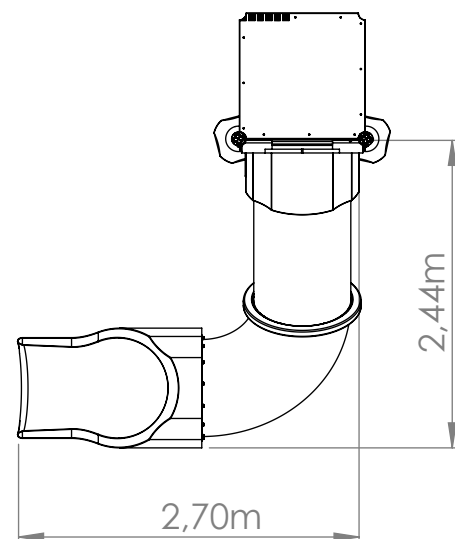


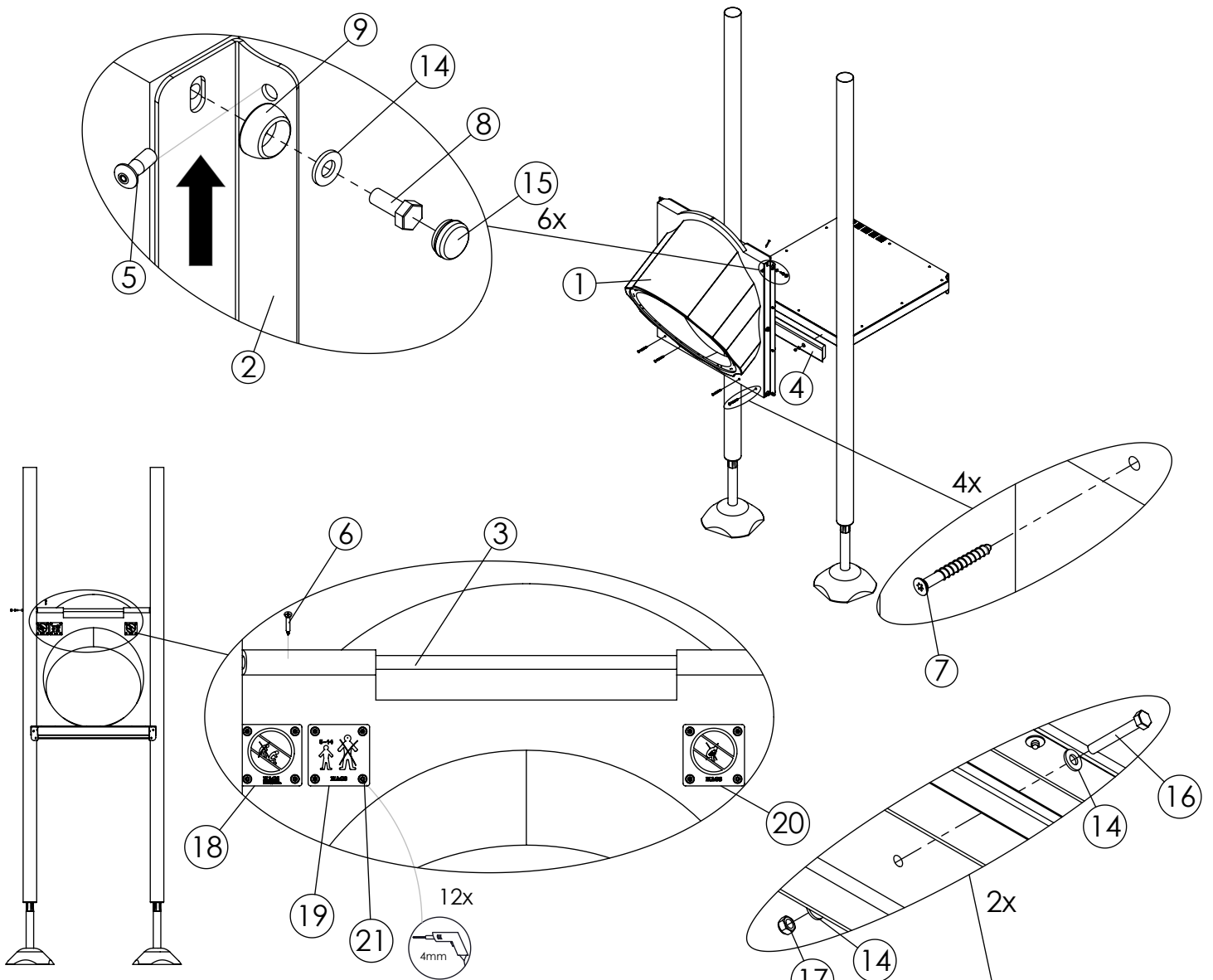
NR.	Description MA	Item Number	QTY
1	Join Clip Ø935x140x70	2811342015	1
2	Tube 90 deg	2811342013-01	1
3	Strait tube	2811342012-01	1
4	664 x 100 mm	13424517	1
5	336 x 76 mm	13424516	1
6	688 x 190 mm	13424515	1
7	1421 x 950 mm	13424512	1
8	960 x 1150 mm	13424510	1
9	1040 x 55 mm	13414213	2
10	Ø22 x 800 mm	13414212	1
11	126 x 33 mm	715681	56
12	620x121x21 mm	610071-02	2
13	943x68x52 mm	416373	1
14	MGLP R8 E	327040	2
15	Cage Nut M10 1.8-3.2 mm	324806	4
16	VINGPIAS FZY 20MY 6,3x45	312473	1
17	TFT 8x100 mm	311800	4
18	KTS-GF M8x25 mm	302899	6
19	MC6S M8x80 mm	302621	1
20	M6S M10x30 mm	302208	1
21	M6S M10x25 mm	302207	4
22	M6S M8x30 mm	302159	14
23	M6S M8x20 mm	8008343 (302157)	40
24	Cap 8 Ø27x11,5 mm	8005956 (261806)	40
28	Ø9x18x2 mm	8008849 (326017)	60
29	Cover 8, Ø18x10mm	8005958	40
30	Lock Nut M8	8008795 (324102)	17
31	Ø11x24x2 mm	326018	5
32	Dome Nut M10	8008754 (321050)	1
33	M6S M8x55 mm	8008354 (302164)	2
34	98 x 98 mm	8005492	1
35	98 x 98 mm	8005493	1
36	98 x 98 mm	8005491	1
37	PT WN 1451 7x16 mm	8008687 (312244)	12



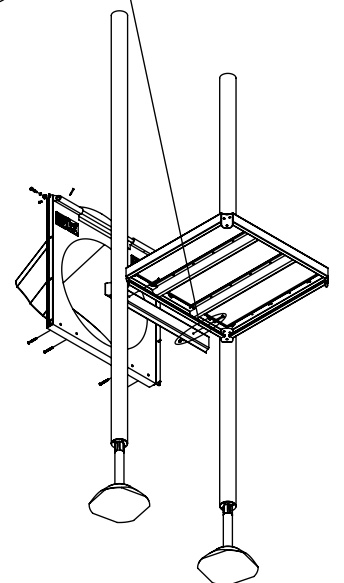
# HAGS

ANEBY, SWEDEN  
+46(0)380-47300  
www.hags.com

**Tubular slide**  
**450 350 13**  
**1 ( 4 )**

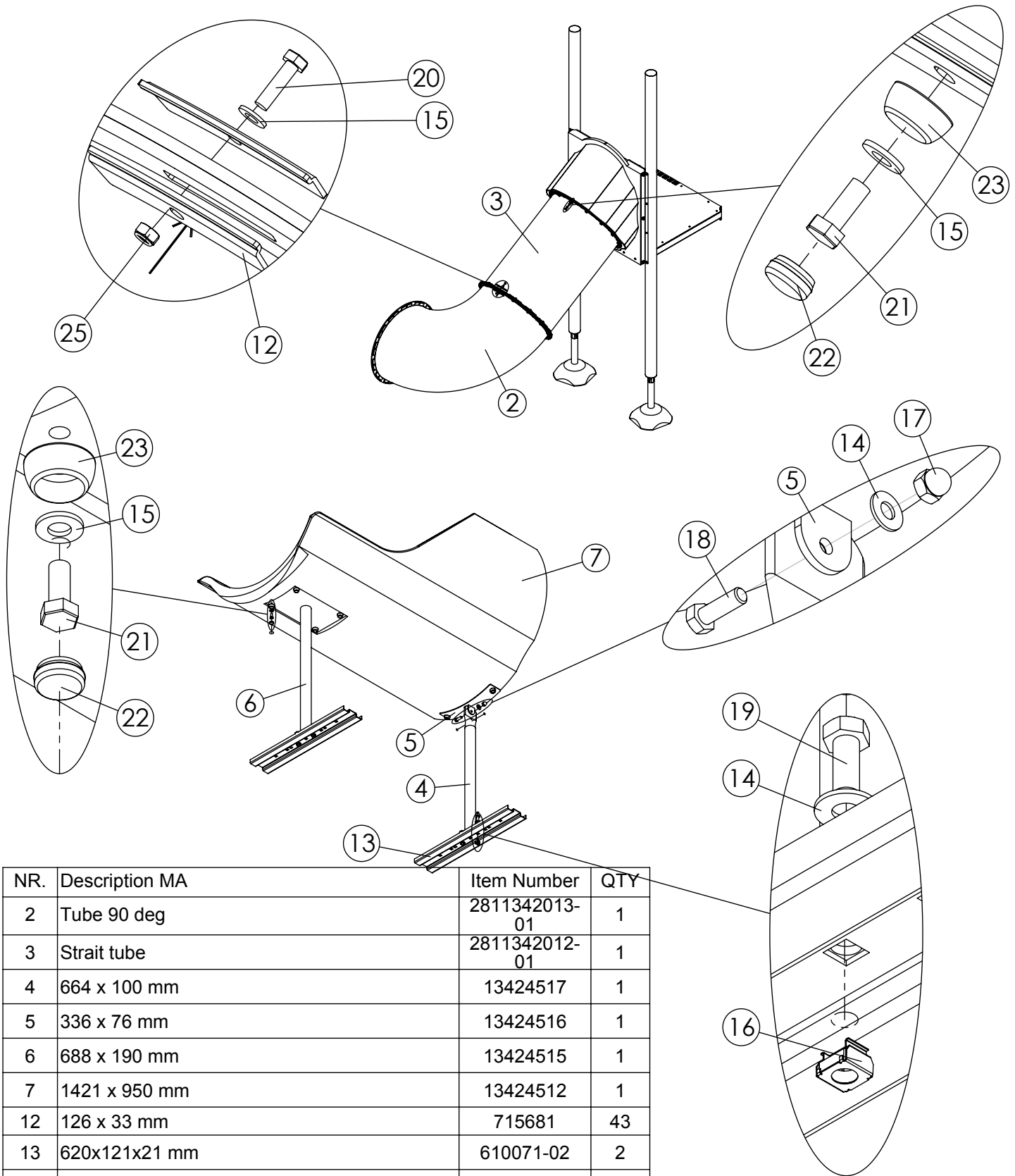


NR.	Description MA	Item Number	QTY
1	960 x 1150 mm	13424510	1
2	1040 x 55 mm	13414213	2
3	Ø22 x 800 mm	13414212	1
4	943x68x52 mm	416373	1
5	MGLP R8 E	327040	2
6	VINGPIAS FZY 20MY 6,3x45	312473	1
7	TFT 8x100 mm	311800	4
8	M6S M8x20 mm	8008343 (302157)	6
9	Cap 8 Ø27x11,5 mm	8005956 (261806)	6
14	Ø9x18x2 mm	8008849 (326017)	10
15	Cover 8, Ø18x10mm	8005958	6
16	M6S M8x55 mm	8008354 (302164)	2
17	Lock Nut M8	8008795 (324102)	2
18	98 x 98 mm	8005492	1
19	98 x 98 mm	8005493	1
20	98 x 98 mm	8005491	1
21	PT WN 1451 7x16 mm	8008687 (312244)	12



**HAGS** ANEBY, SWEDEN  
+46(0)380-47300  
www.hags.com

**Tubular slide**  
**450 350 13**  
**2 ( 4 )**



NR.	Description MA	Item Number	QTY
2	Tube 90 deg	2811342013-01	1
3	Strait tube	2811342012-01	1
4	664 x 100 mm	13424517	1
5	336 x 76 mm	13424516	1
6	688 x 190 mm	13424515	1
7	1421 x 950 mm	13424512	1
12	126 x 33 mm	715681	43
13	620x121x21 mm	610071-02	2
14	Ø11x24x2 mm	326018	5
15	Ø9x18x2 mm	8008849 (326017)	47
16	Cage Nut M10 1.8-3.2 mm	324806	4
17	Dome Nut M10	8008754 (321050)	1
18	M6S M10x30 mm	302208	1
19	M6S M10x25 mm	302207	4
20	M6S M8x30 mm	302159	14
21	M6S M8x20 mm	8008343 (302157)	27
22	Cover 8, Ø18x10mm	8005958	27
23	Cap 8 Ø27x11,5 mm	8005956 (261806)	27

# HAGS

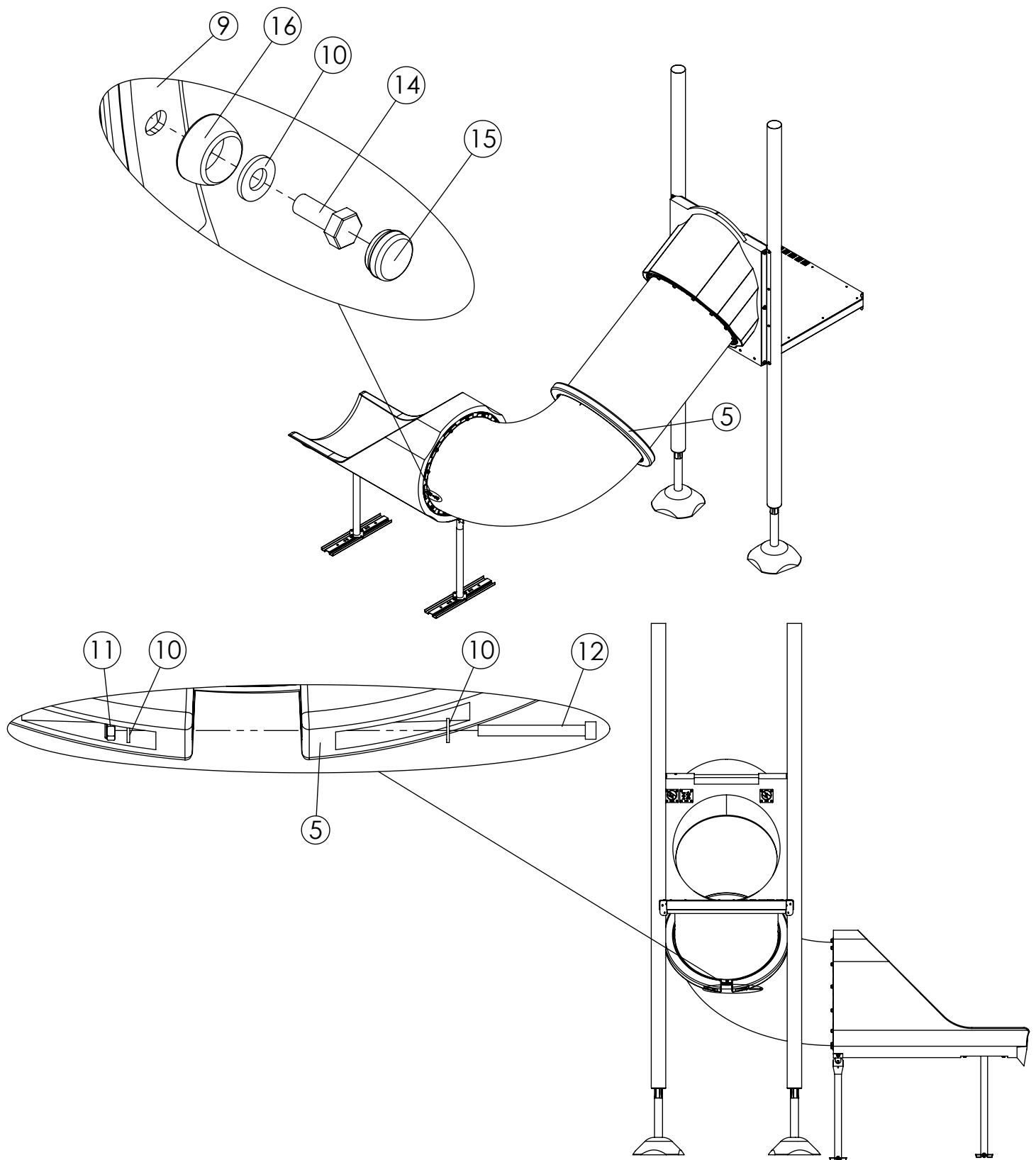
ANEBY,  
SWEDEN  
+46(0)380-  
47300  
www.hags.com

**Tubular slide**

**450 350 13**

**3 ( 4 )**

HB
 DN
2013-03-07
1



NR.	Description MA	Item Number	QTY
5	Join Clip Ø935x140x70	2811342015	1
9	126 x 33 mm	715681	56
10	Ø9x18x2 mm	8008849 (326017)	60
11	Lock Nut M8	8008795 (324102)	17
12	MC6S M8x80 mm	302621	1
14	M6S M8x20 mm	8008343 (302157)	40
15	Cover 8, Ø18x10mm	8005958	40
16	Cap 8 Ø27x11,5 mm	8005956 (261806)	40

<h1>HAGS</h1> <p>ANEBY, SWEDEN +46(0)380- 47300 www.hags.com</p>		<p><b>Tubular slide</b> <b>450 350 13</b> <b>4 ( 4 )</b></p>		
		2013-03-07	1	