

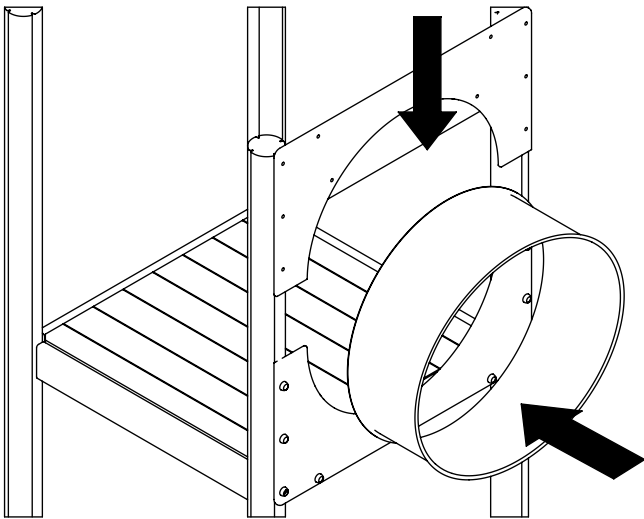
NR.	Description MA	Item Number	QTY
1	943x68x52 mm	416372	1
2	SRB 9x18x2 mm	8008849 (326017)	2
3	T6S 8x75 mm	310106	10
4	1050x513 mm	8002618	1
5	Cap 8 Ø27x11,5 mm	8005956 (261806)	8
6	Cover 8, Ø18 x 10 mm	261808	7
7	Ø9x18x2 mm	8008849 (326017)	8

**HAGS** ANEBY, SWEDEN  
+46(0)380-47300  
www.hags.com

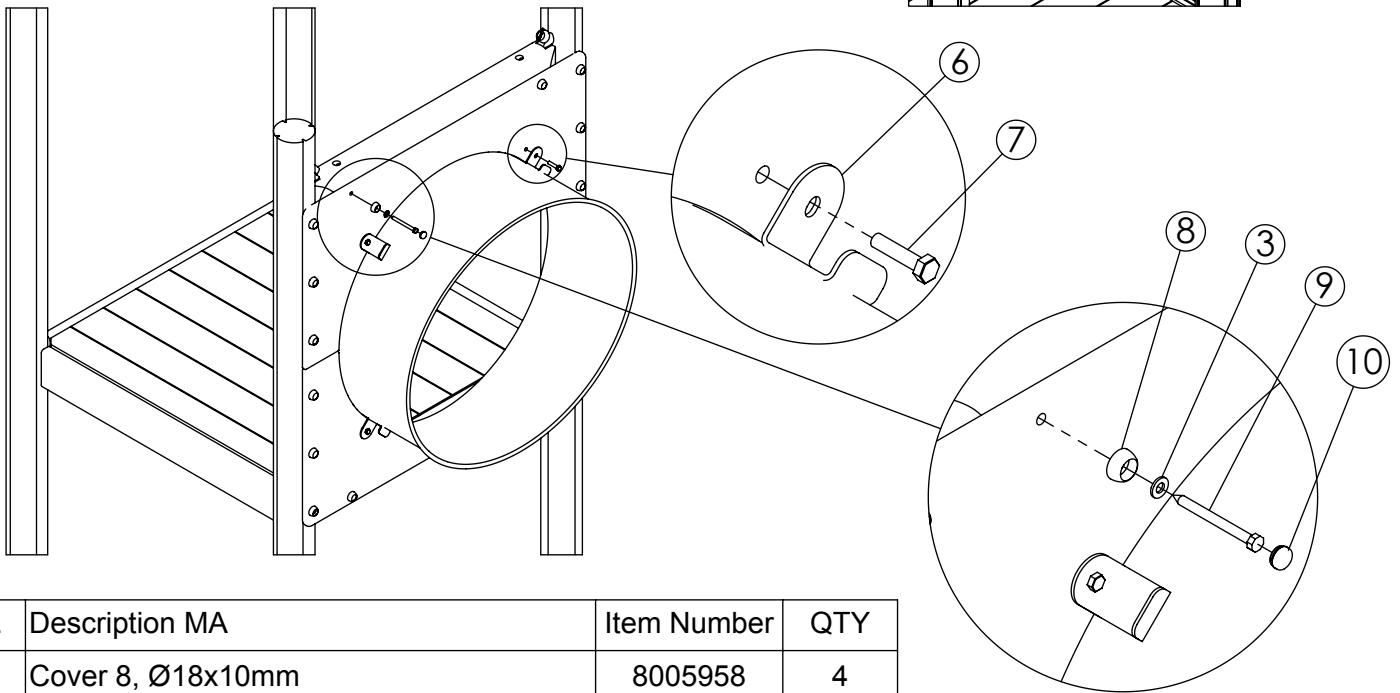
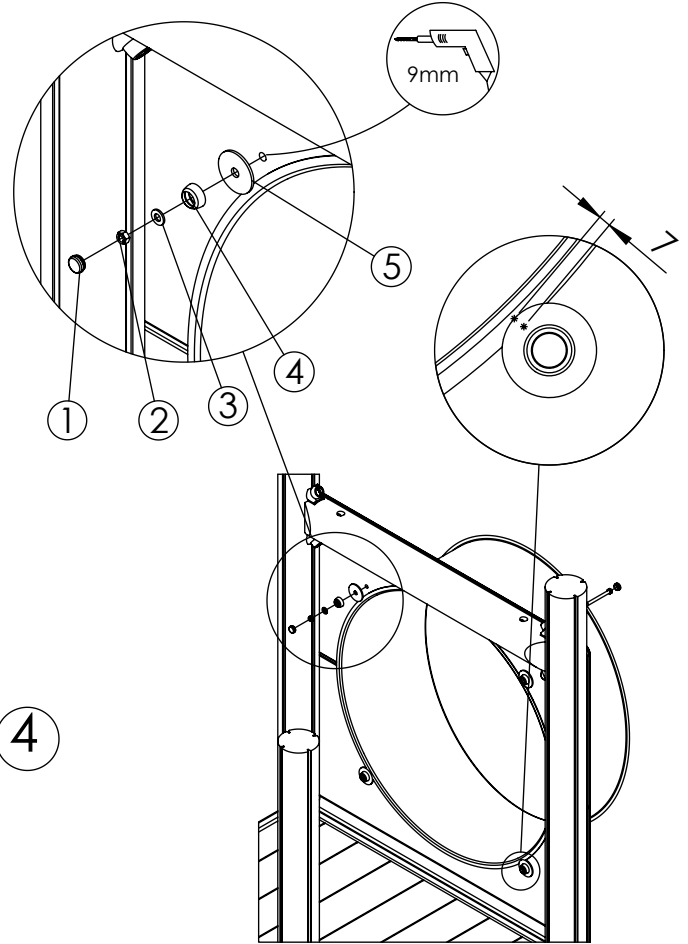
**Tubular Slide Entrance**  
**420302**  
**1 ( 3 )**

HB OG 2014-03-03 1

3



4

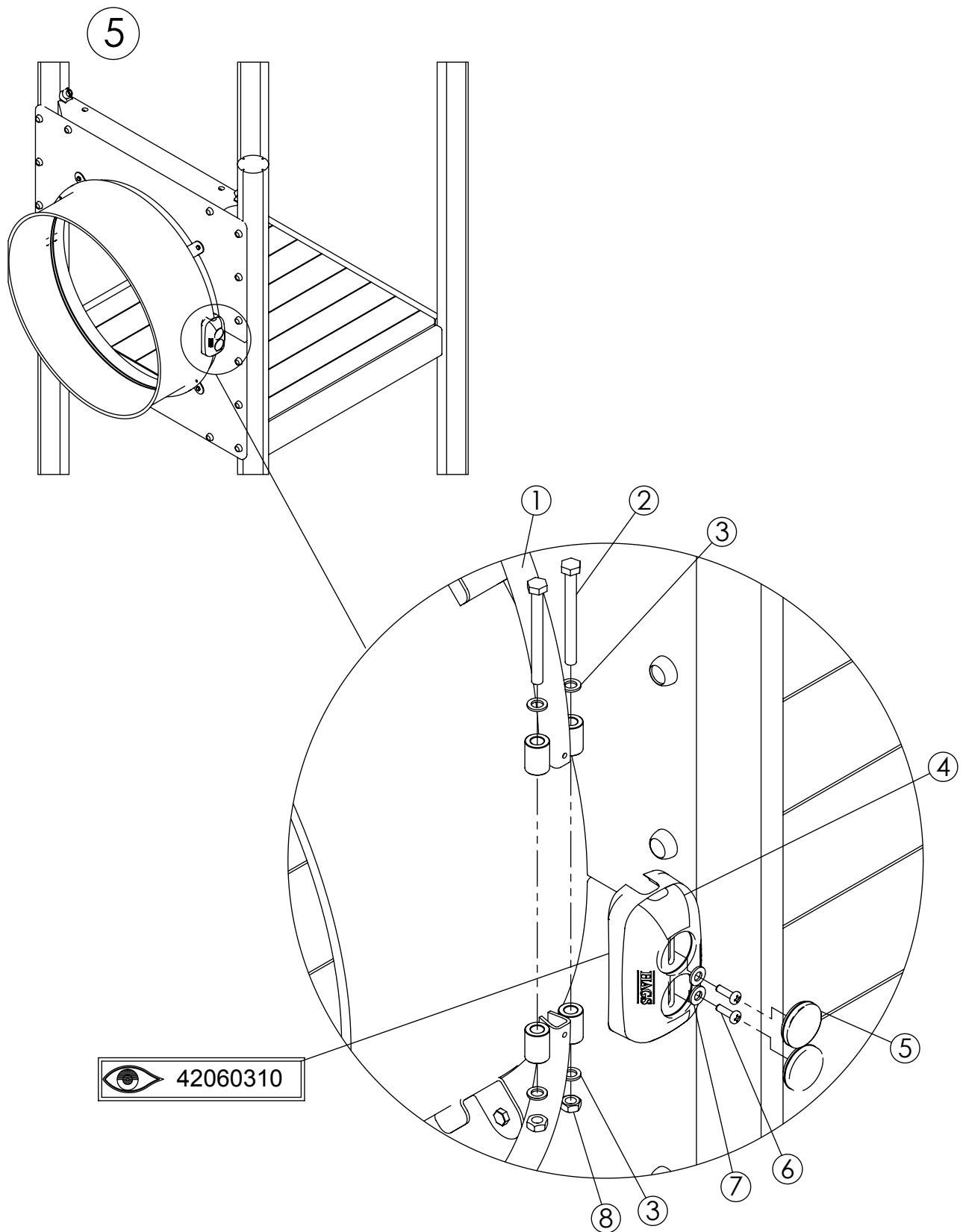


NR.	Description MA	Item Number	QTY
1	Cover 8, Ø18x10mm	8005958	4
2	Lock Nut M8	8008795 (324102)	4
3	Ø9x18x2 mm	8008849 (326017)	20
4	Cap 8, Ø27x12 mm	8005956	4
5	Ø11x50x3 mm	326009	4
6	55 x 45 mm	8044118	4
7	M6S M8x35 mm	302160	4
8	Cap 8 Ø27x11,5 mm	8005956 (261806)	17
9	T6S 8x75 mm	310106	18
10	Cover 8, Ø18 x 10 mm	261808	15

**HAGS** ANEBY, SWEDEN  
+46(0)380-47300  
www.hags.com

**Tubular Slide Entrance**  
**420302**  
**2 ( 3 )**

HB OG 2014-03-03 1



NR.	Description MA	Item Number	QTY
1	810 x 419 mm	153836/1538361 0	2
2	M10x100	302226	4
3	Washer Ø11x18x2 mm	326015	8
4	152 x 87 mm	260237	1
5	Ø43 x 11,5 mm	260236	2
6	MRX-TT M6x20 mm	302920	2
7	Ø9x18x2 mm	8008849 (326017)	22
8	M6M-8 FZB M10	8008796	4

HAGS

ANEBY, SWEDEN  
+46(0)380-47300  
www.hags.com

Tubular Slide Entrance  
**420302**  
3 ( 3 )

HB
OG
2014-03-03
1