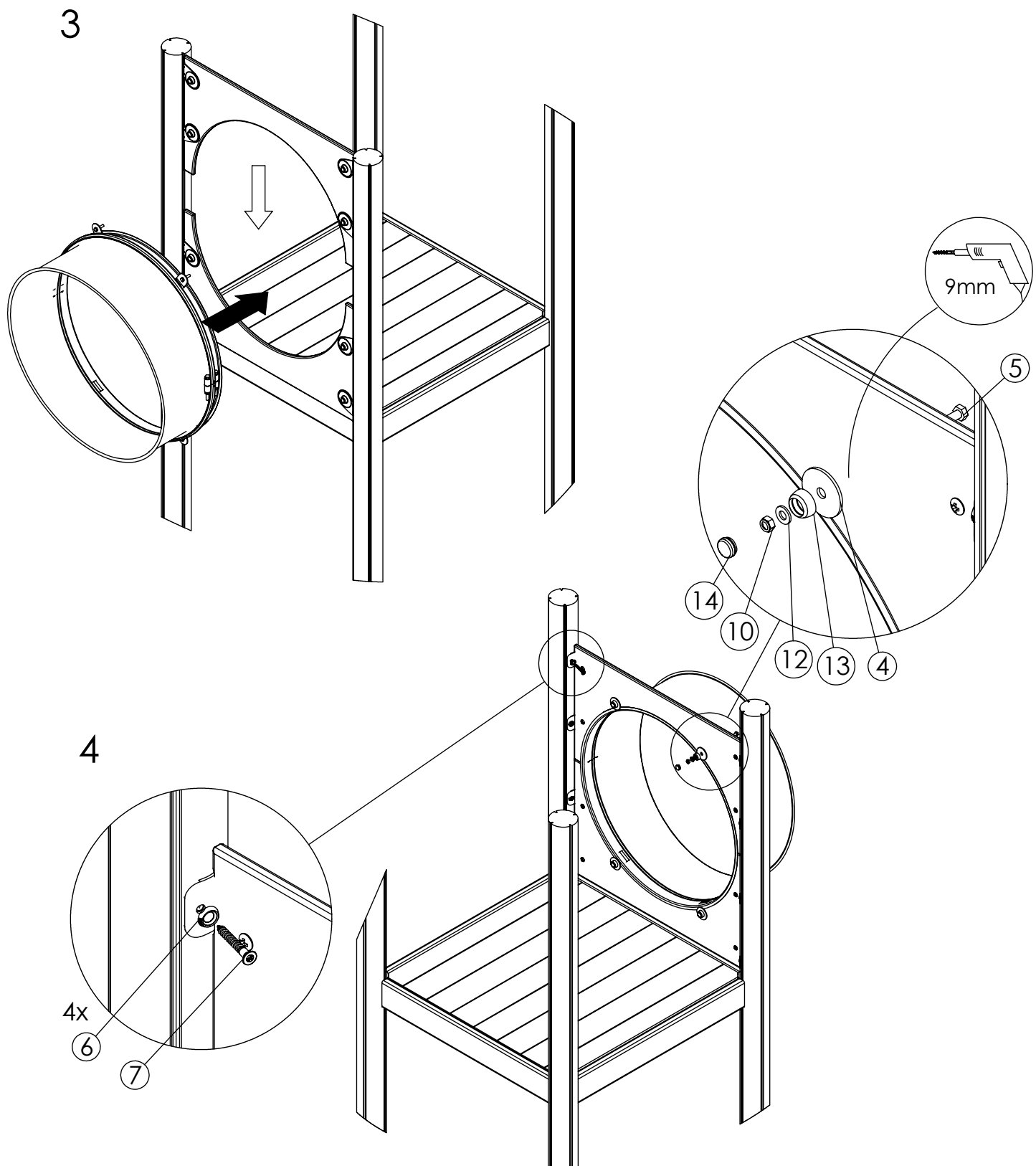


NR.	Description MA	Item Number	Qty
1	837 x 419 x 63 mm	8026737	2
2	905 x 513 x 60 mm	8026601	2
4	Ø11x50x3 mm	326009	4
5	M6S M8x35 mm	302160	4
6	Ø8 18/15 x 4,5 mm	261817	8
7	TKFT 8x60 mm	310510	8
10	Lock Nut M8	8008795 (324102)	4
11	M6M-8 FZB M10	324103	4
12	Ø9x18x2 mm	8008849 (326017)	4
13	Cap 8, Ø27x12 mm	8005956	4
14	Cover 8, Ø18x10mm	8005958	4

HAGS ANEBY, SWEDEN
+46(0)380-47300
www.hags.com

Tubular Slide Entrance
8026609
1 (2)

HB NN 2012-04-17 0



NR.	Description MA	Item Number	Qty
4	Ø11x50x3 mm	326009	4
5	M6S M8x35 mm	302160	4
6	Ø8 18/15 x 4,5 mm	261817	8
7	TKFT 8x60 mm	310510	8
10	Lock Nut M8	8008795 (324102)	4
11	M6M-8 FZB M10	324103	4
12	Ø9x18x2 mm	8008849 (326017)	4
13	Cap 8, Ø27x12 mm	8005956	4
14	Cover 8, Ø18x10mm	8005958	4

HAGS ANEBY, SWEDEN
+46(0)380-47300
www.hags.com

Tubular Slide Entrance
8026609
2 (2)