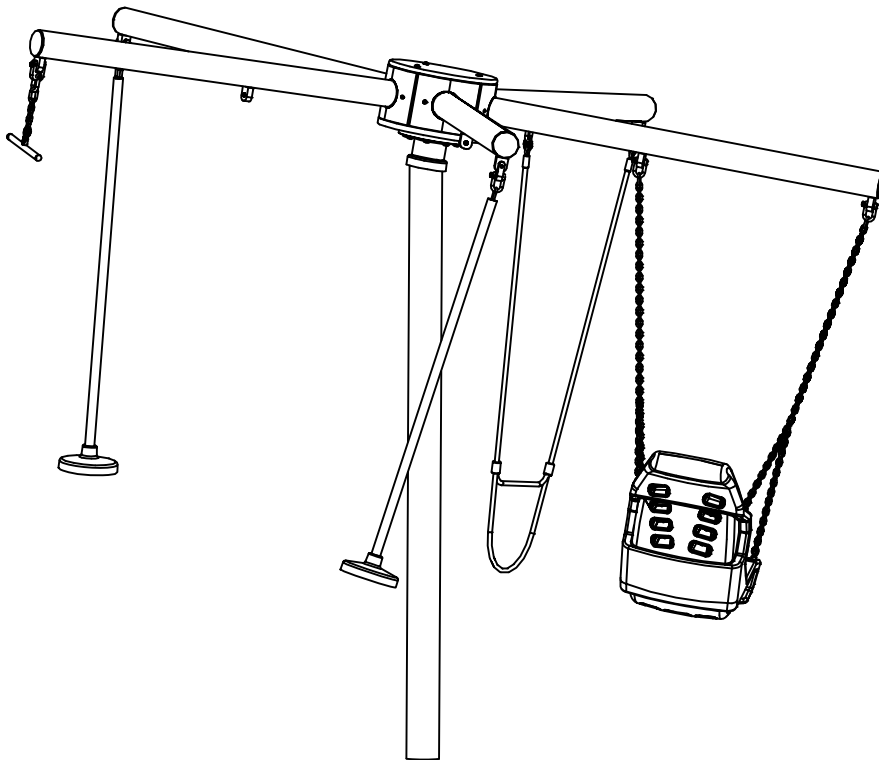
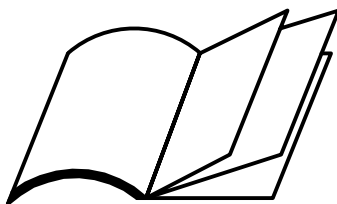


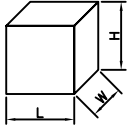
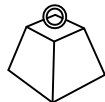
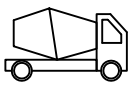
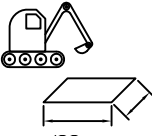
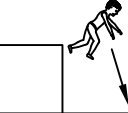

HAGS

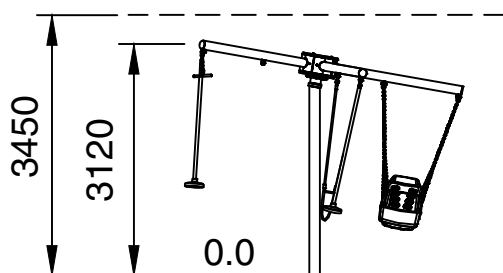
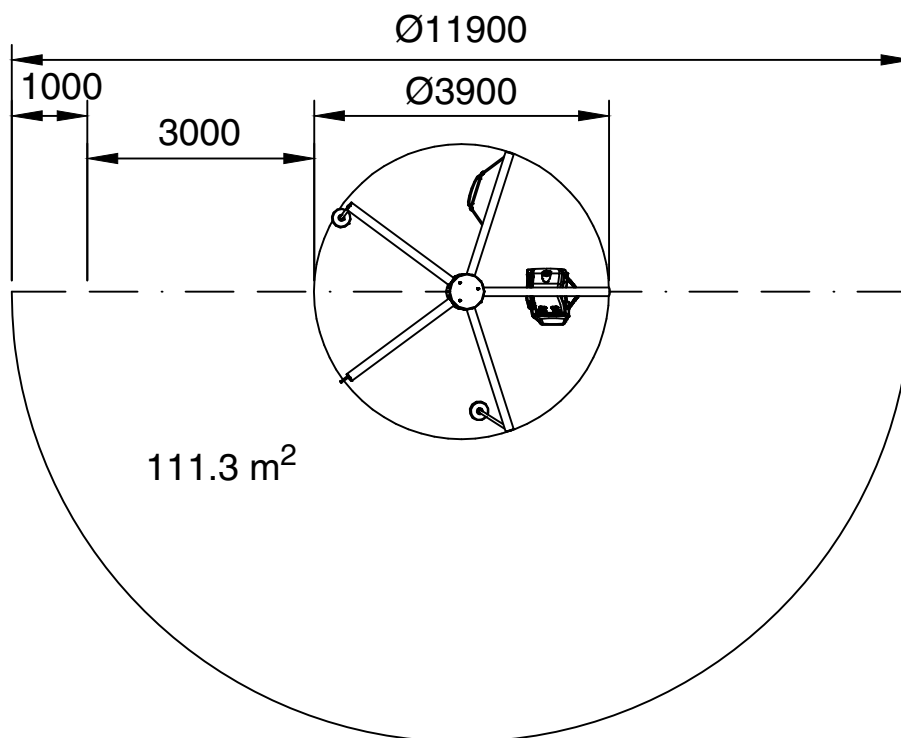
TITAN CAROUSEL CAR-TAN, CAR-TAN(N)

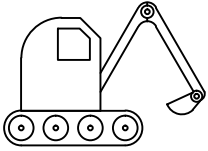




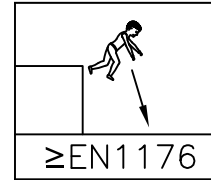
Section 1:

	 LxWxH (m)	 kg	 m ³	 m	 ≥EN1176	 x 2 = T
CAR-TAN	Ø3.900 x 3.12	397.0	2.05	12.00 x 12.00	1.50m	T = 32h

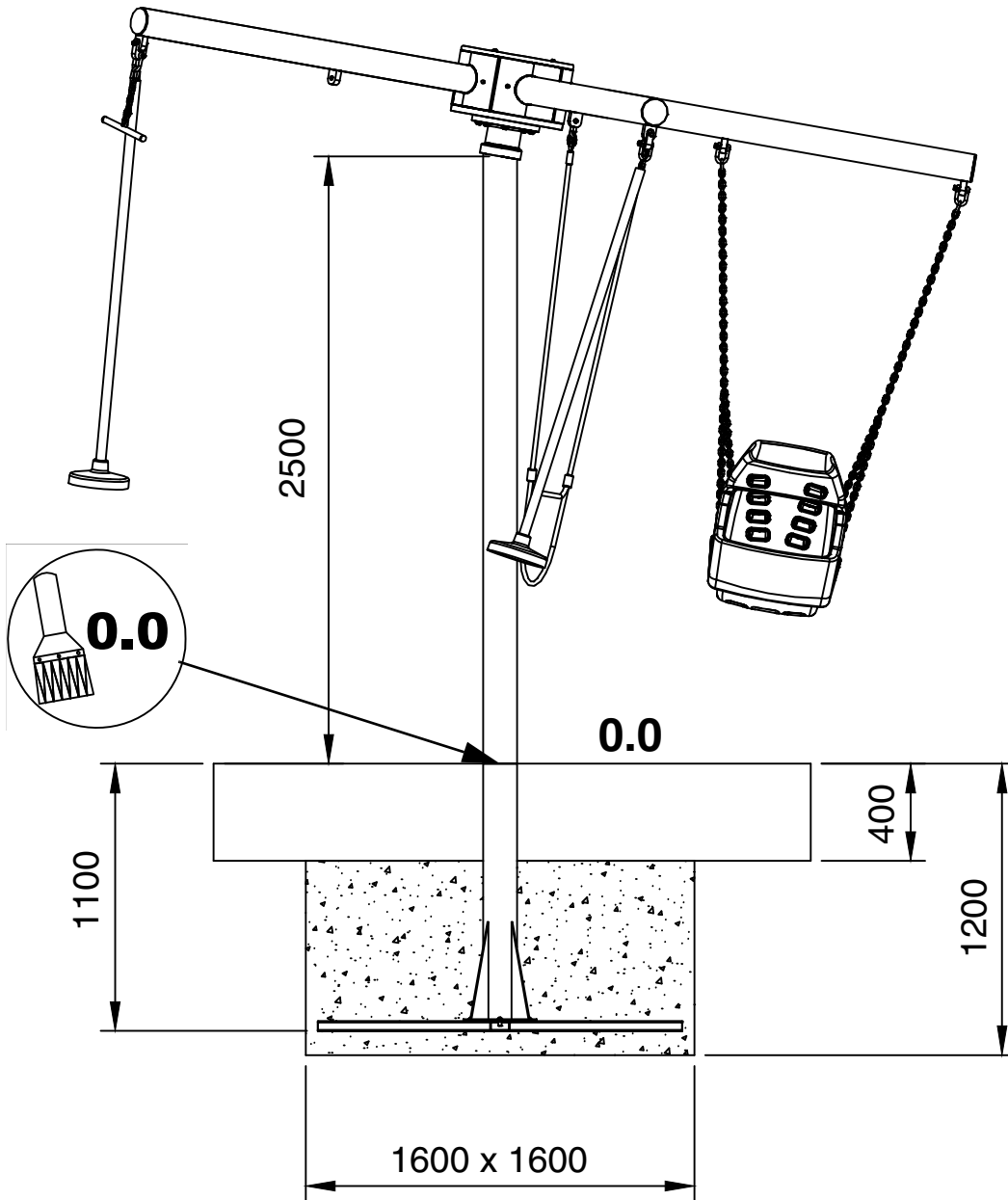


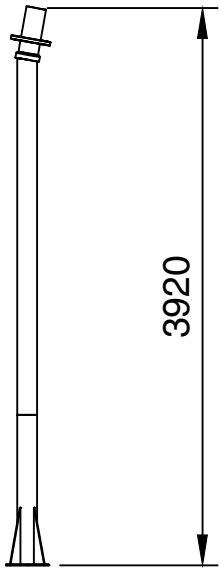
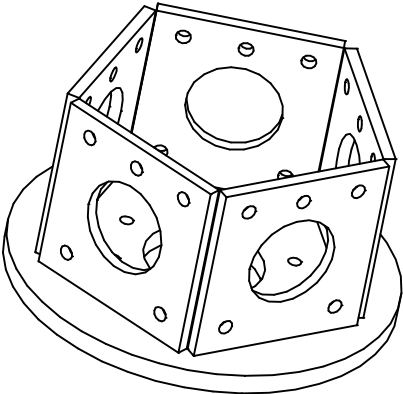
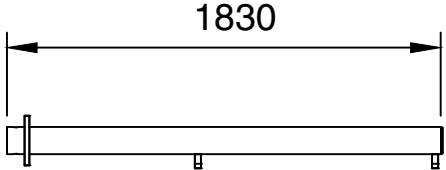
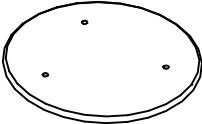
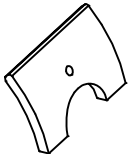


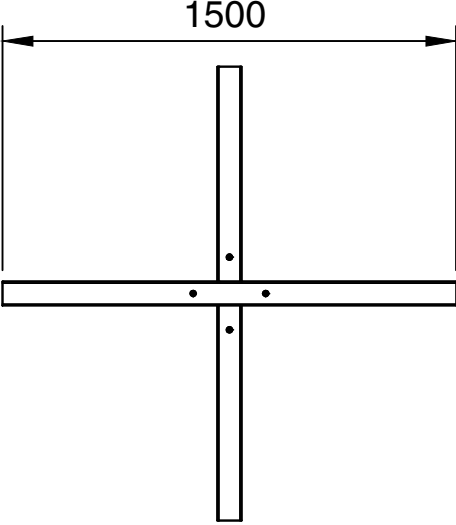
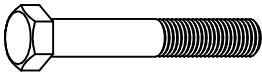
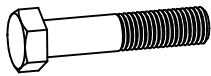


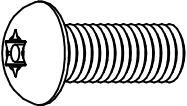
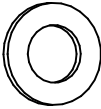
 101/144

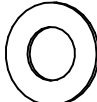
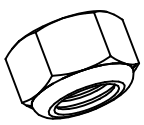

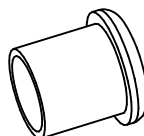
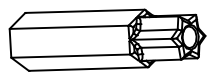


1.5 m

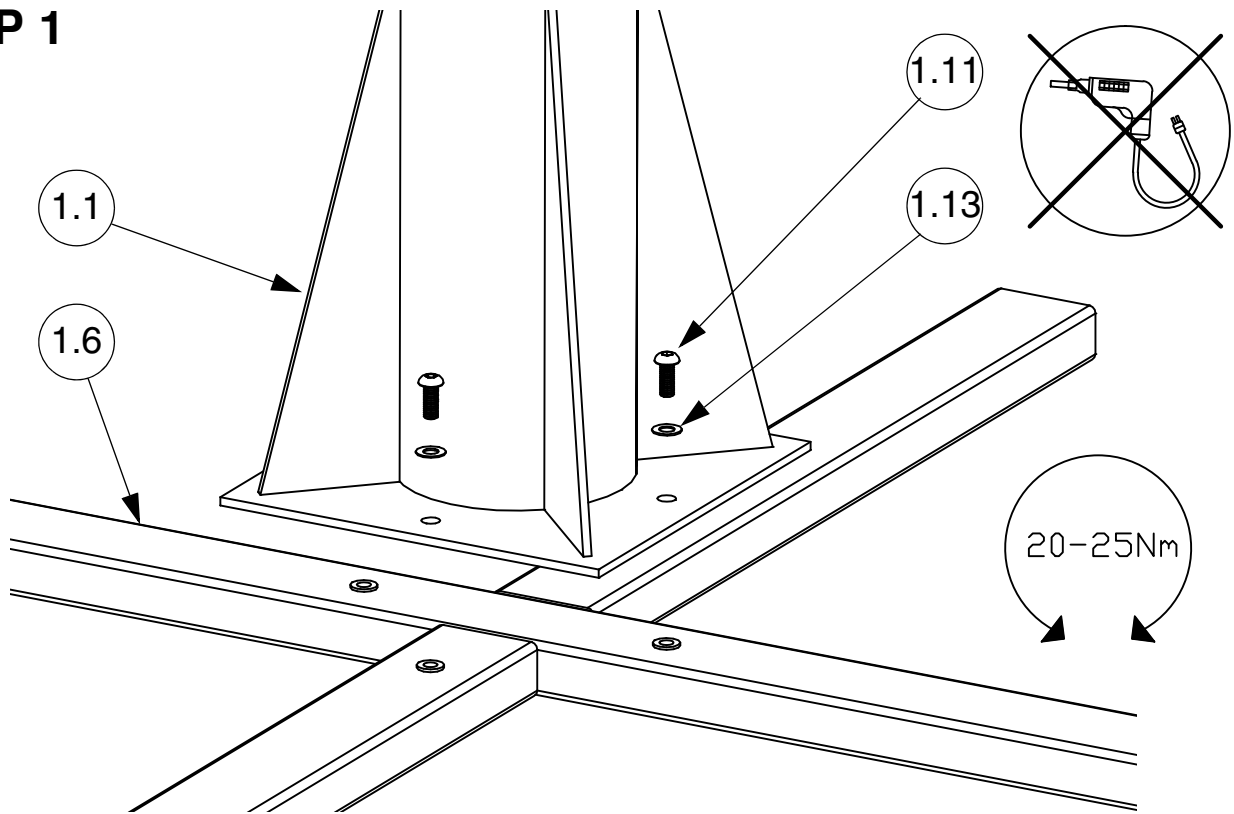


ITEM	REF	CAR-TAN/CAR-TAN(N)	QTY	kg
1.1	71200100		1	139.00
1.2	71200320		1	52.00
1.3	71200110		5	30.00
1.4	71200500		1	3.50
1.5	71200530		10	0.20

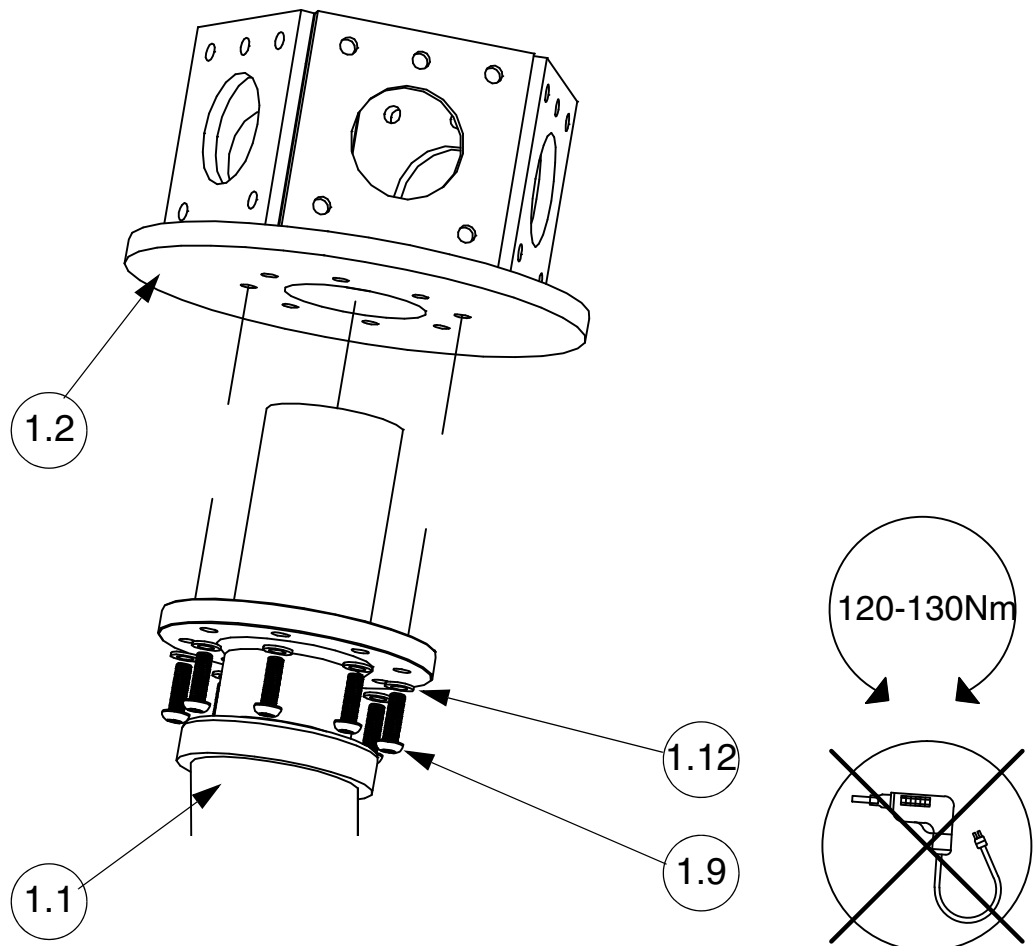
ITEM	REF	CAR-TAN/CAR-TAN(N)	QTY	kg
1.6	71200315		1	16.00
1.7	10252130	 <p data-bbox="724 913 986 958">M20 X 130</p>	5	0.362
1.8	10251675	 <p data-bbox="735 1104 975 1149">M16 X 75</p>	25	0.146
1.9	10141650	 <p data-bbox="735 1290 975 1335">M16 X 50</p>	8	0.060
1.10	10121035	 <p data-bbox="746 1496 986 1541">M10 X 35</p>	3	0.032
1.11	10121025	 <p data-bbox="746 1686 986 1731">M10 X 25</p>	4	0.024
1.12	10291600	 <p data-bbox="724 1888 970 1933">M16 17X30X3</p>	58	0.004

ITEM	REF	CAR-TAN/CAR-TAN(N)	QTY	kg
1.13	10291000	 M10 11X21X1	7	0.002
1.14	10321600	 M16	25	0.030
1.15	10050540	 TECH 5 X 40	10	0.007
1.16	19055090		10	0.032
1.17	10121000	 T45 M10	1	-

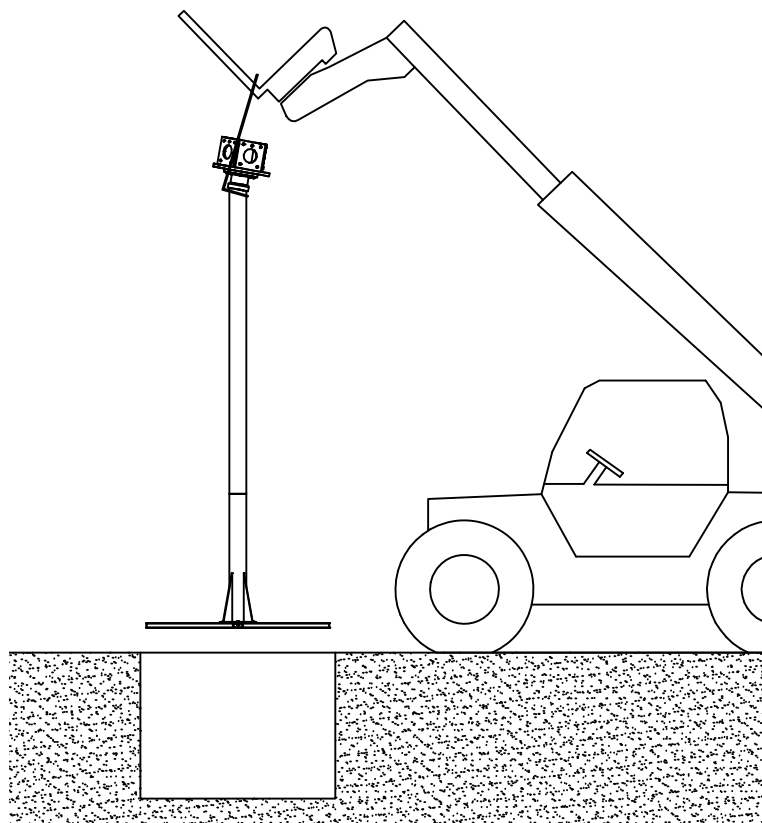
STEP 1



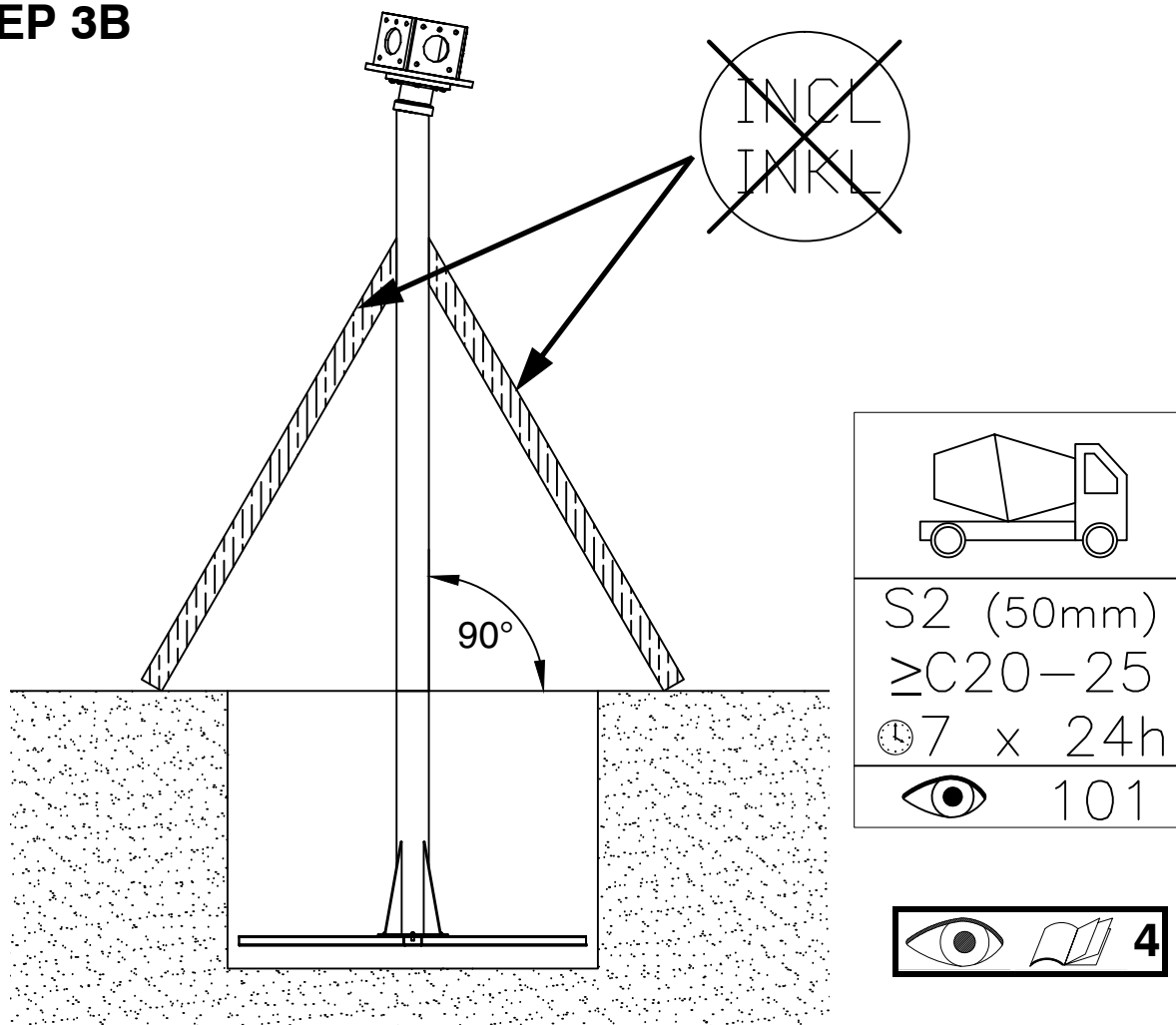
STEP 2



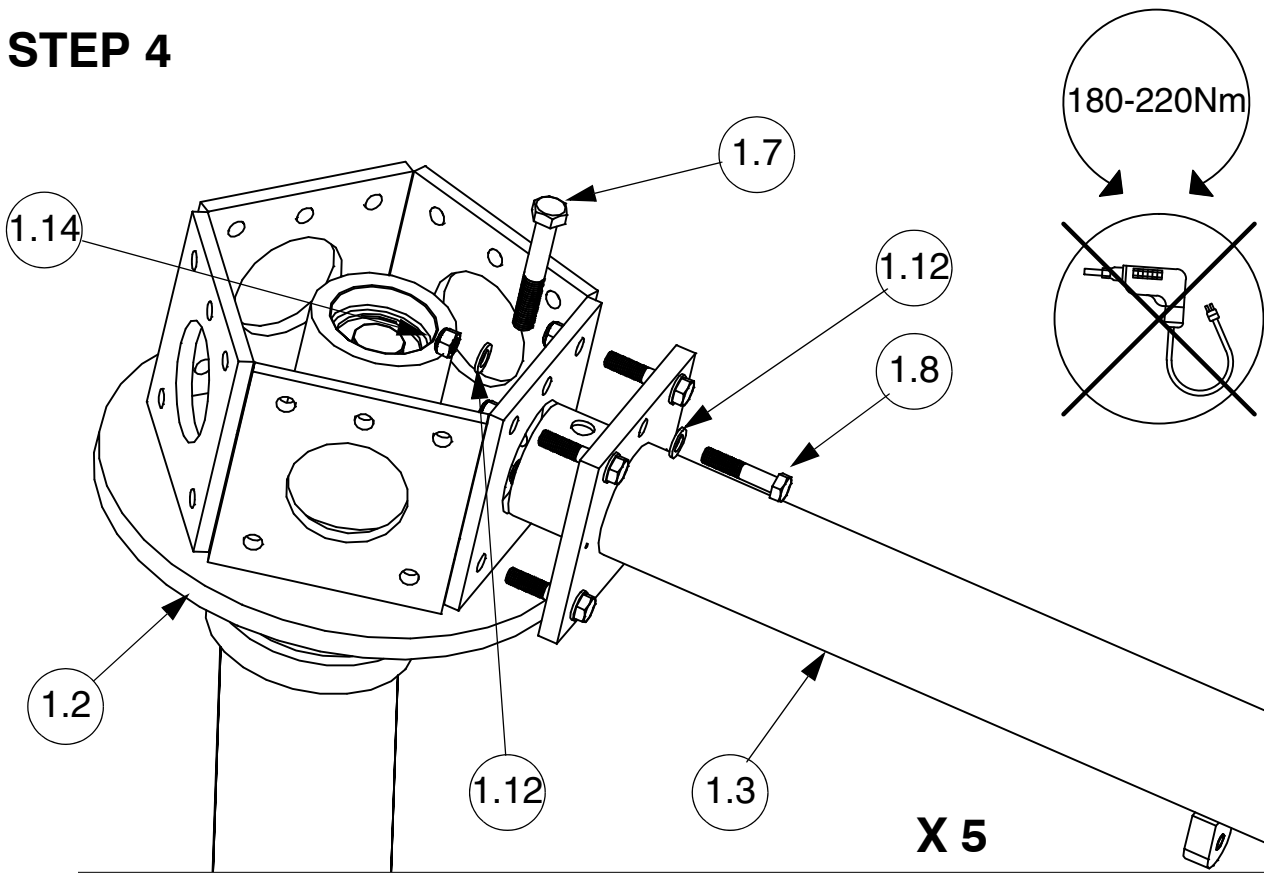
STEP 3A



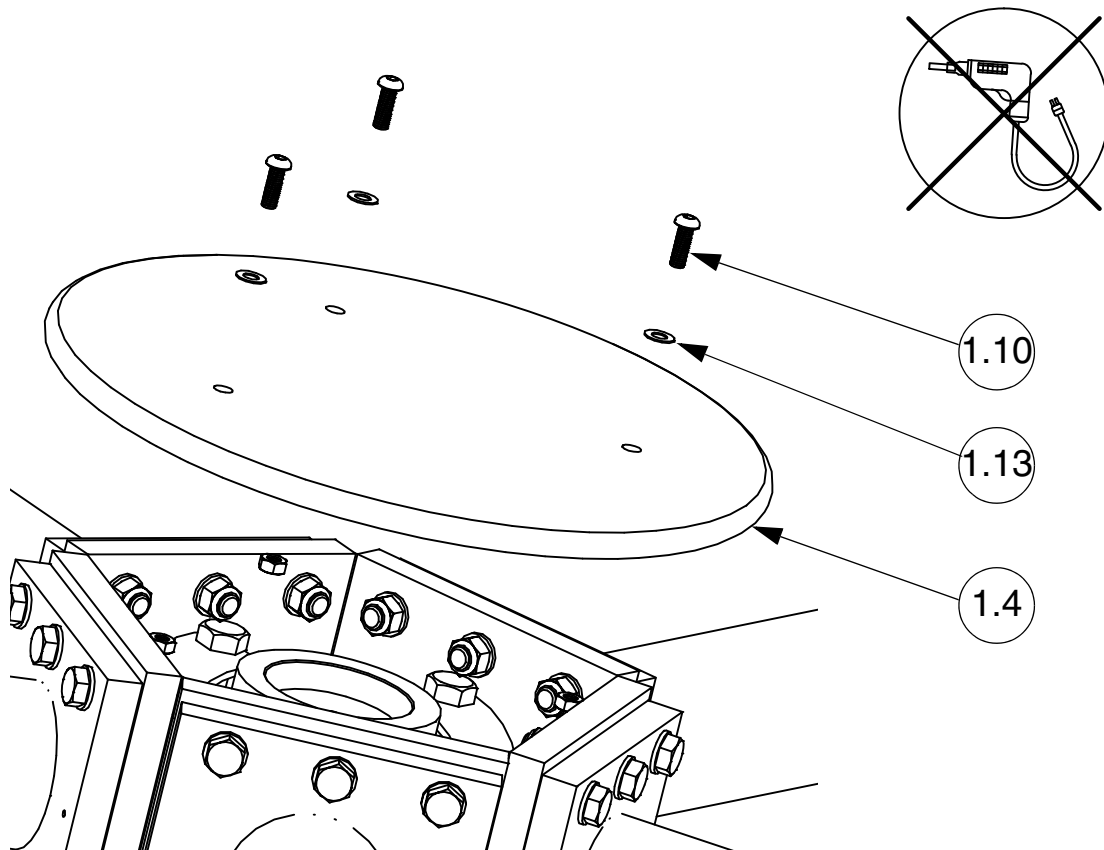
STEP 3B



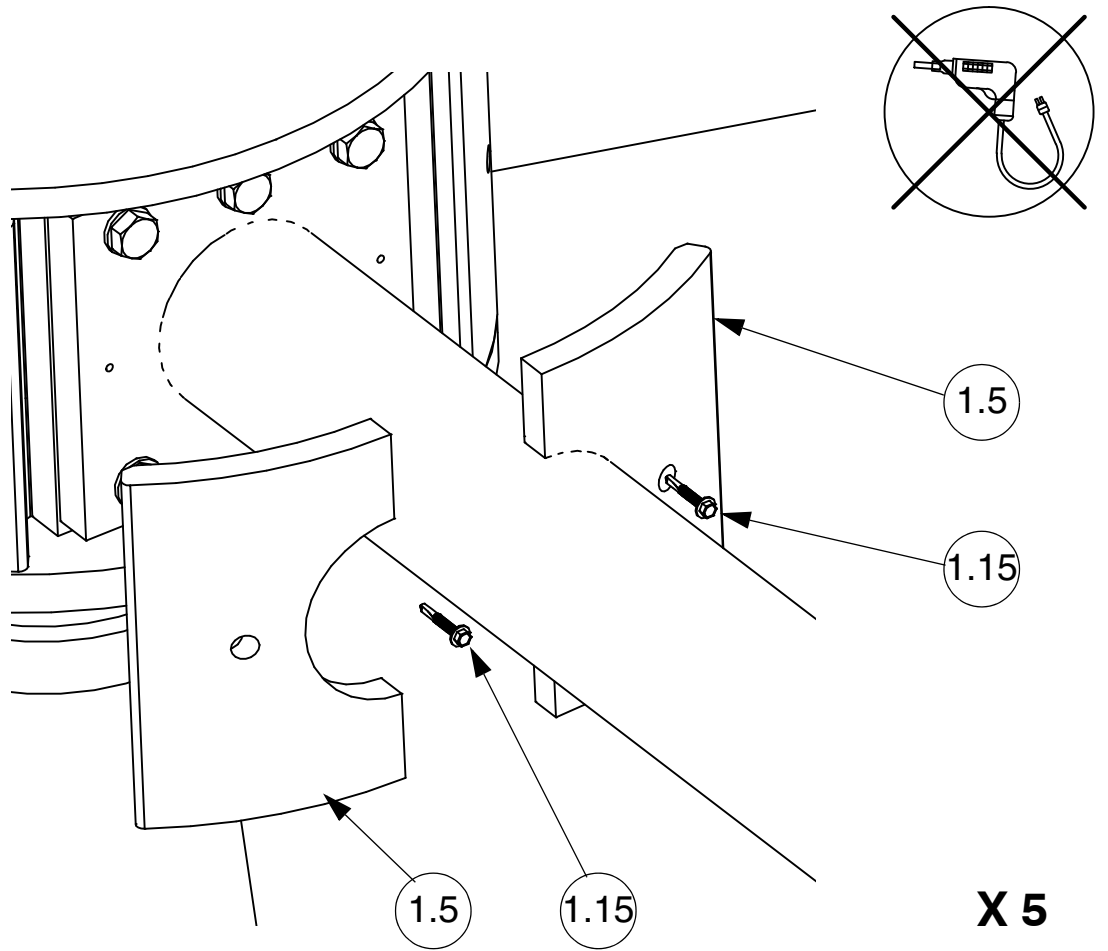
STEP 4

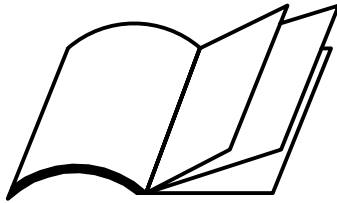


STEP 5



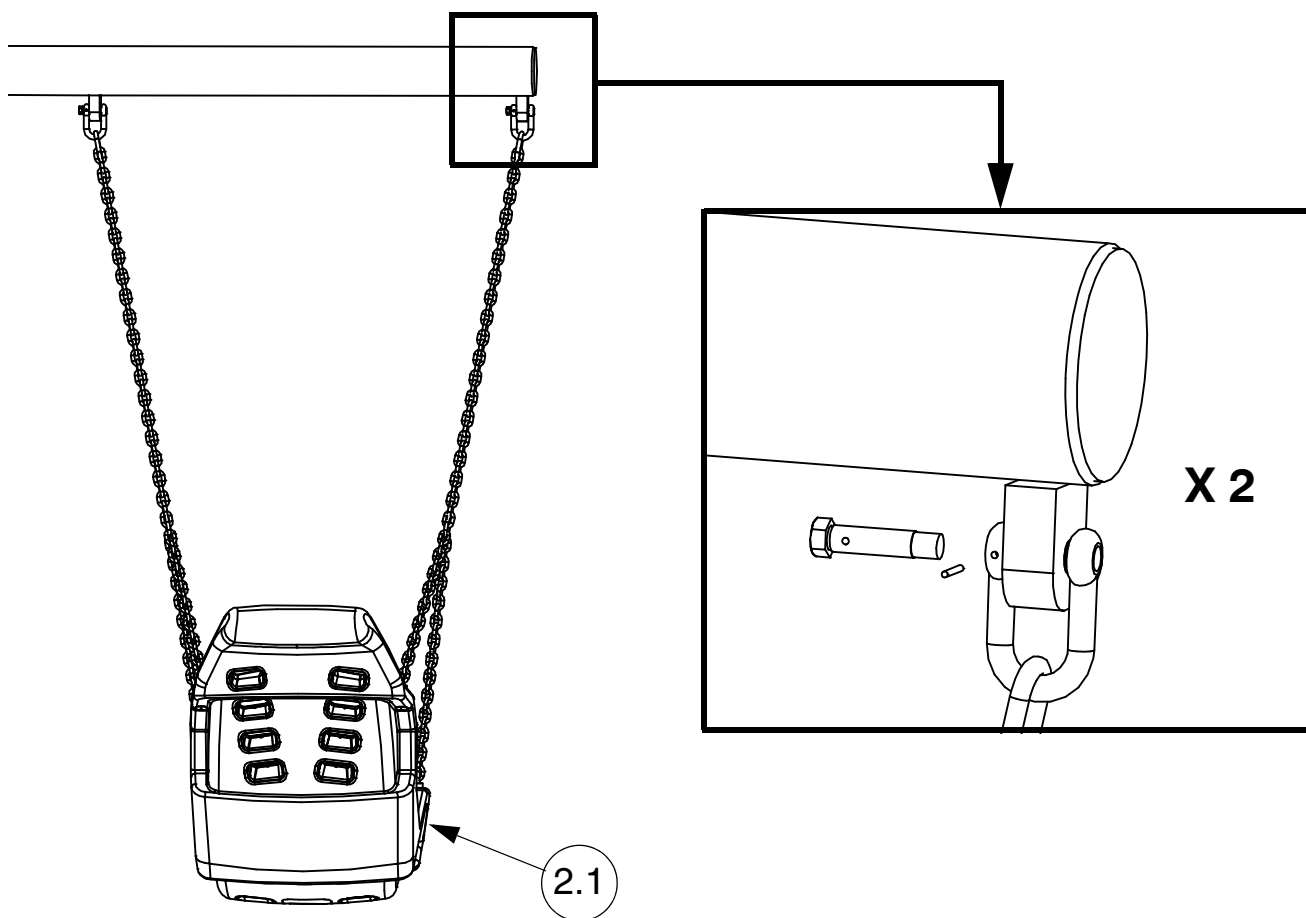
STEP 6

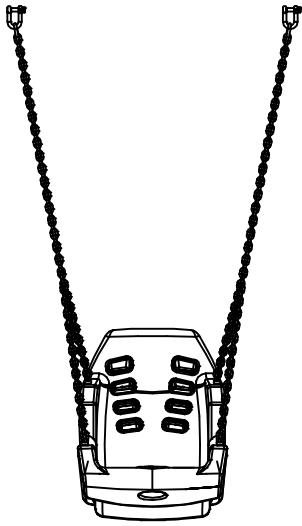


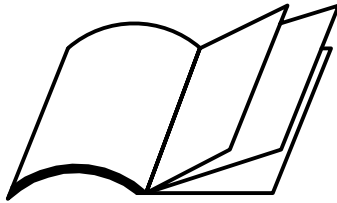


Section 2:

88020801

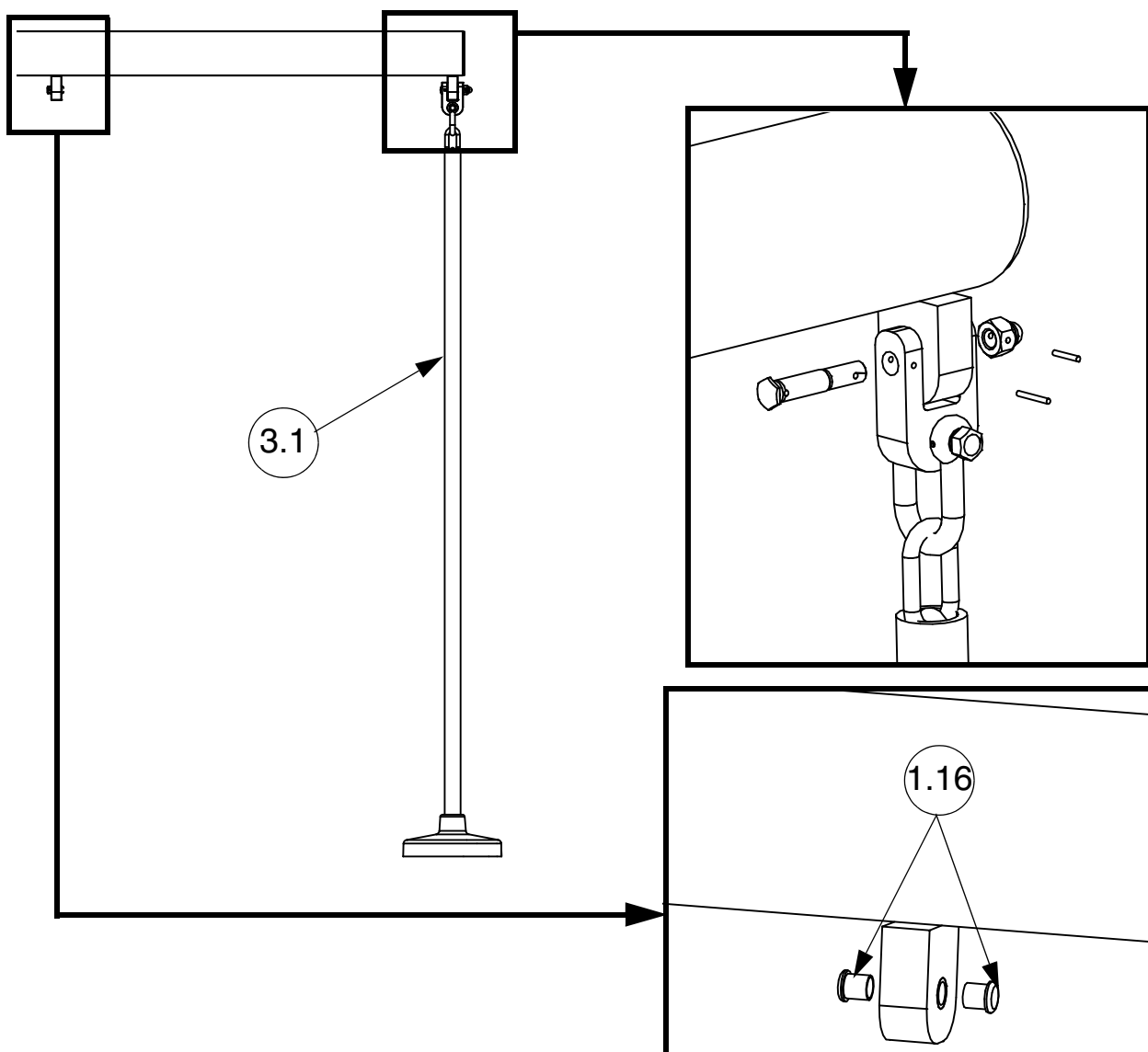


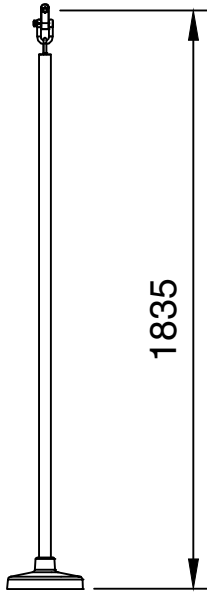
ITEM	REF		QTY	kg
2.1	88020801		1	13.50

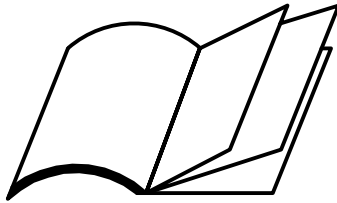


Section 3:

71240801

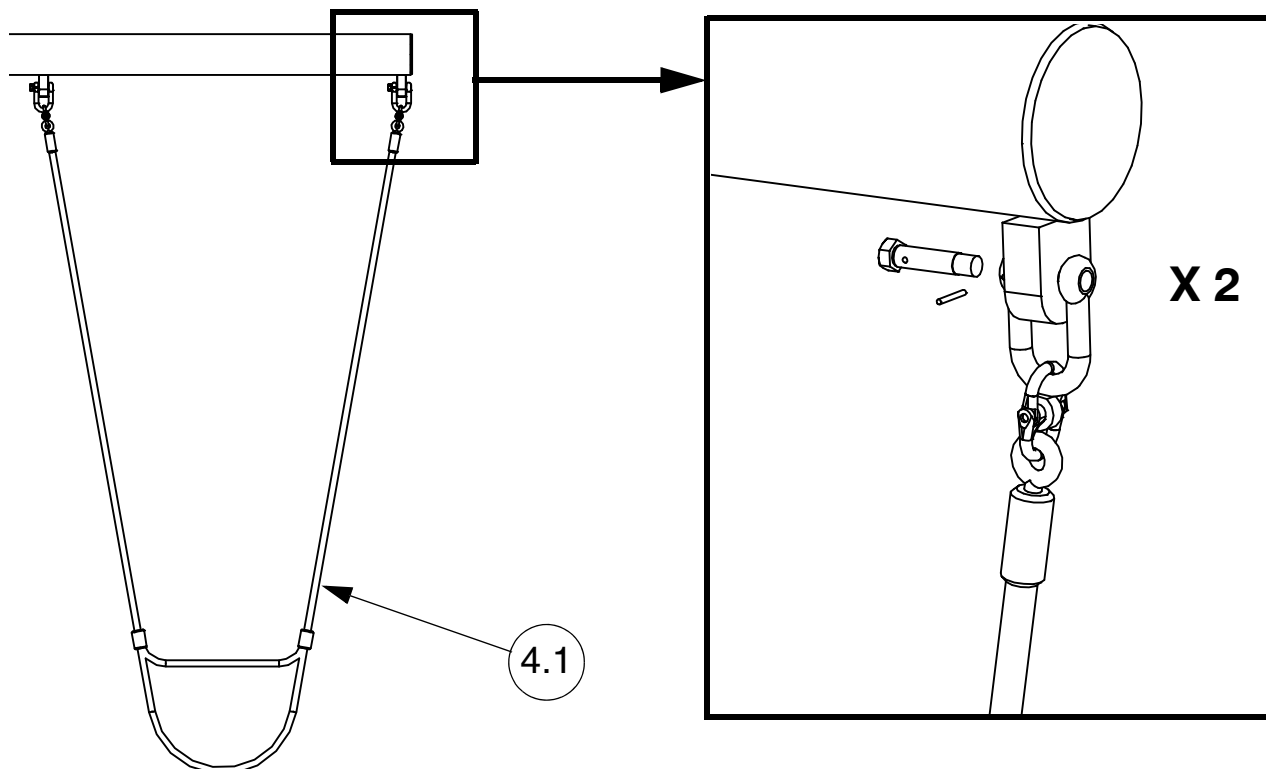


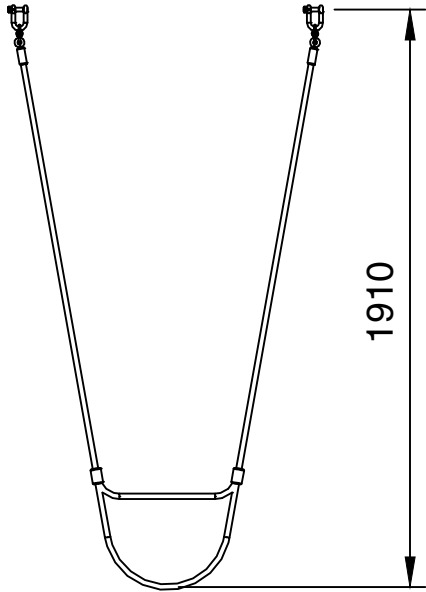
ITEM	REF		QTY	kg
3.1	71240801		1	5.25

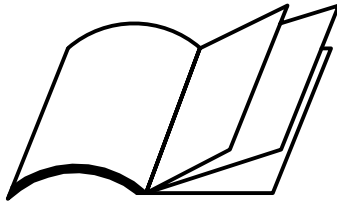


Section 4:

71240802

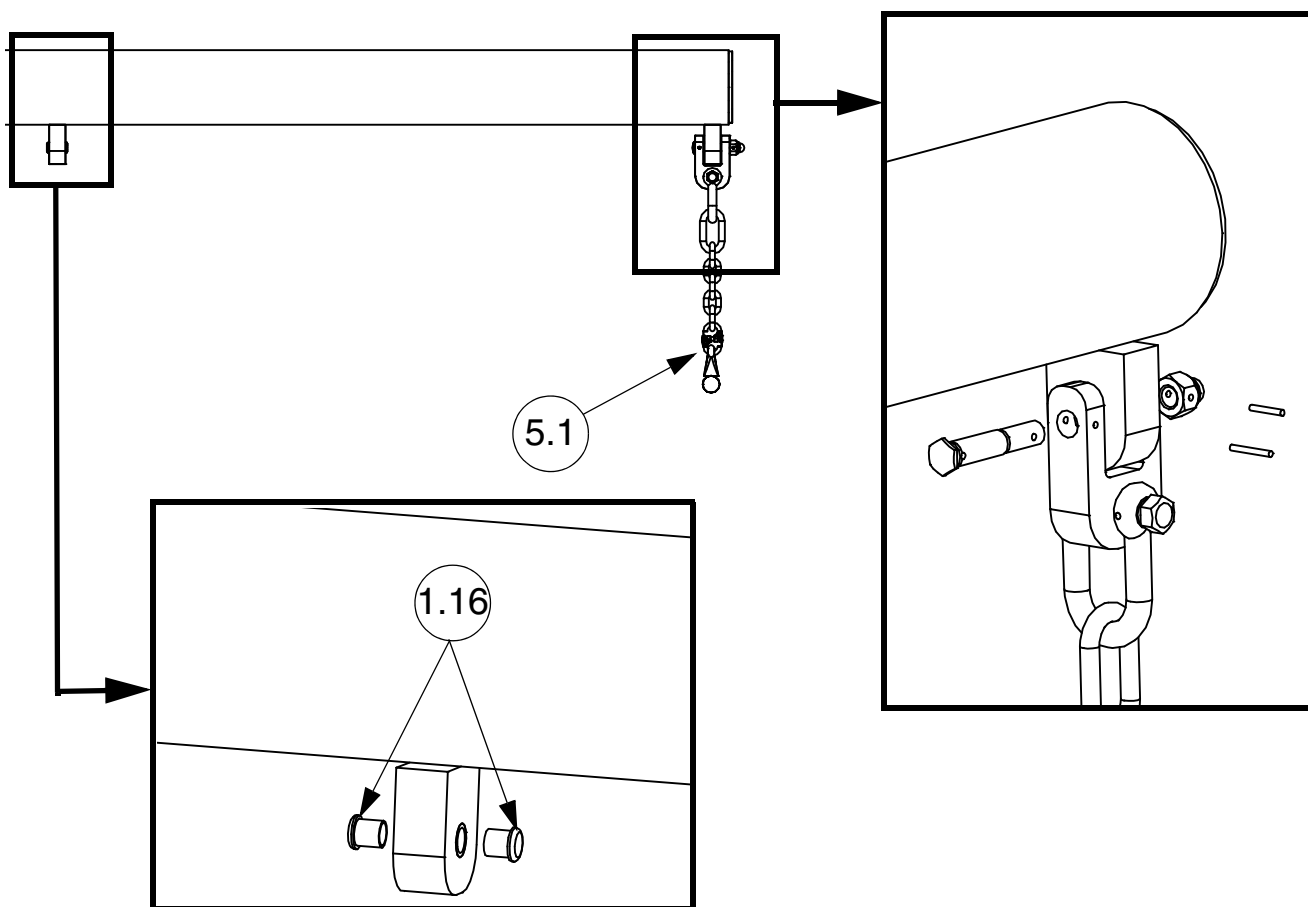


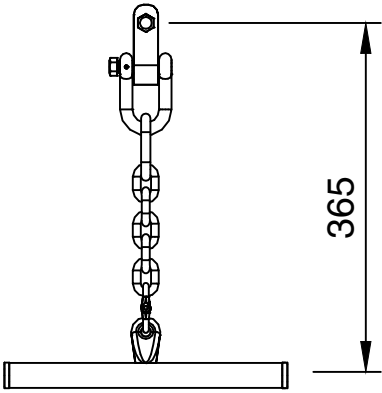
ITEM	REF		QTY	kg
4.1	71240802		1	3.30

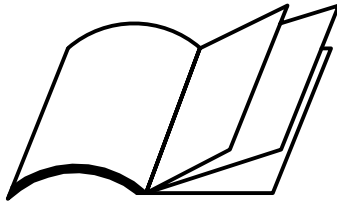


Section 5:

71240803

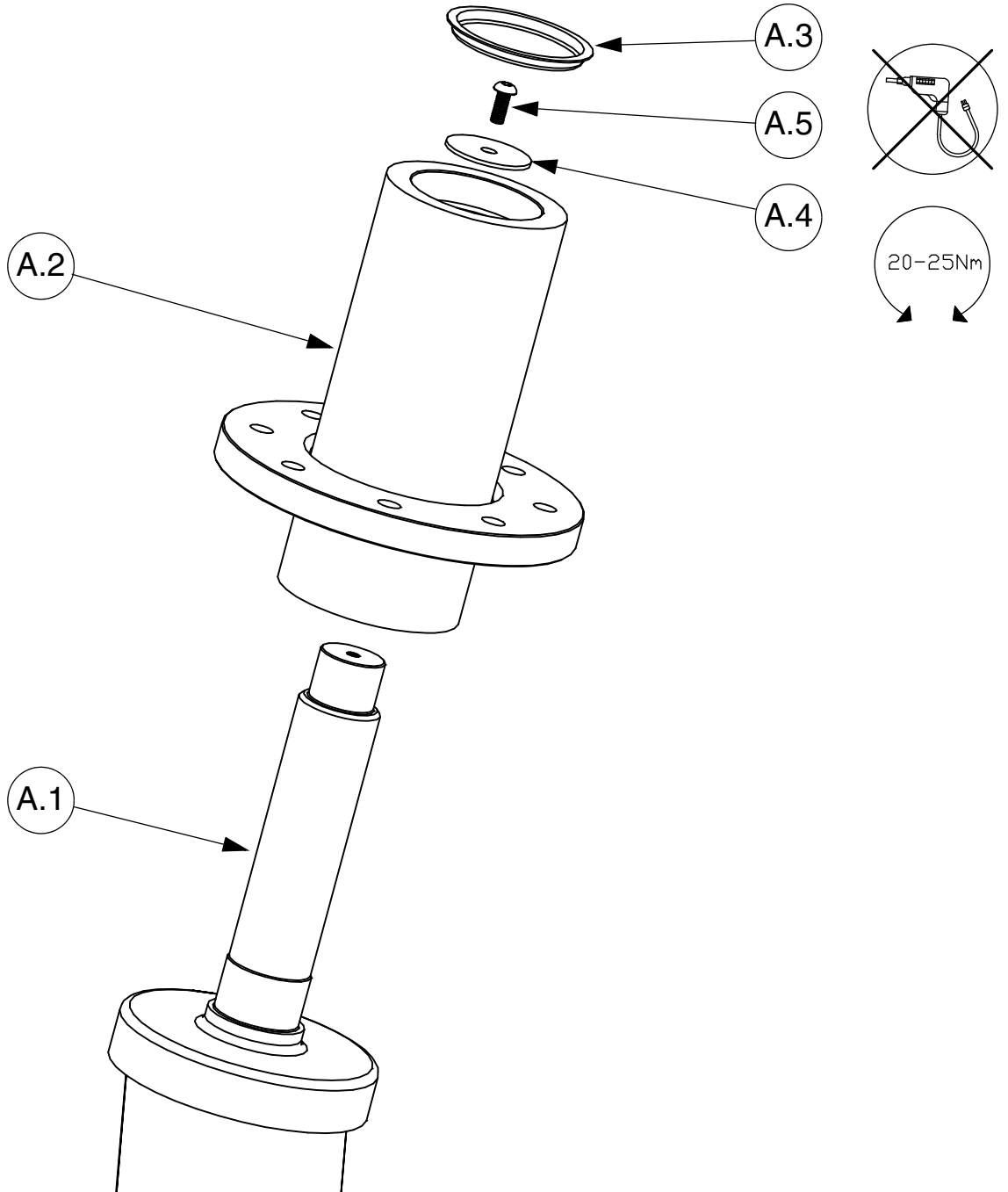


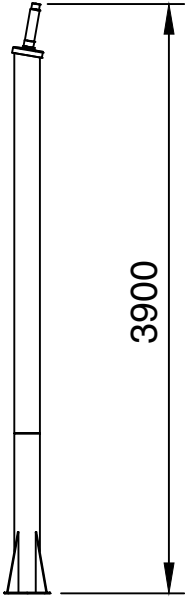
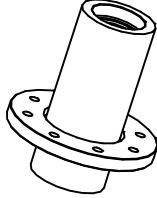

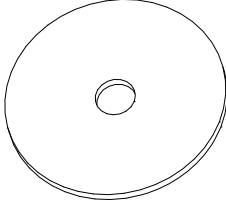
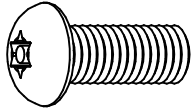
ITEM	REF		QTY	kg
5.1	71240803		1	1.25



Appendix A:

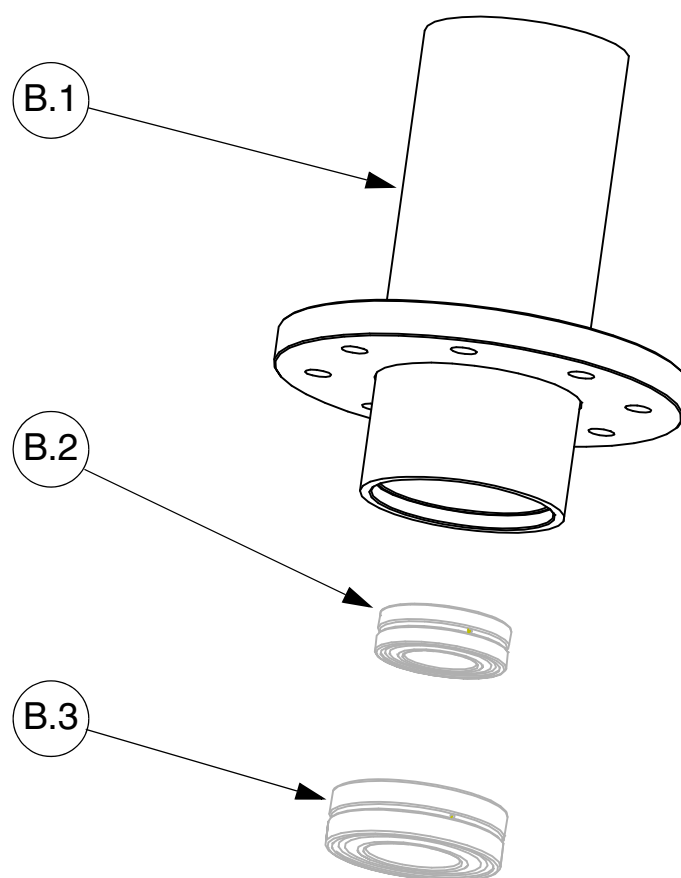
71200100

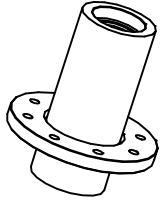
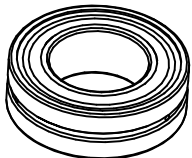
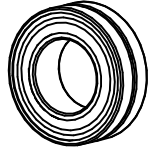


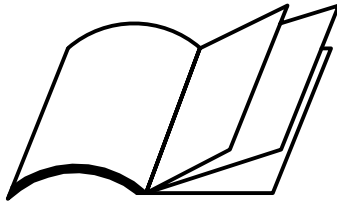
ITEM	REF	71200100	QTY	kg
A.1	71200300		1	116.00
A2	71200105		1	23.00
A.3	19055080		1	0.013
A4	71000109		1	0.08
A5	10121025	 M10 X 25	1	0.011

Appendix B:

71200105

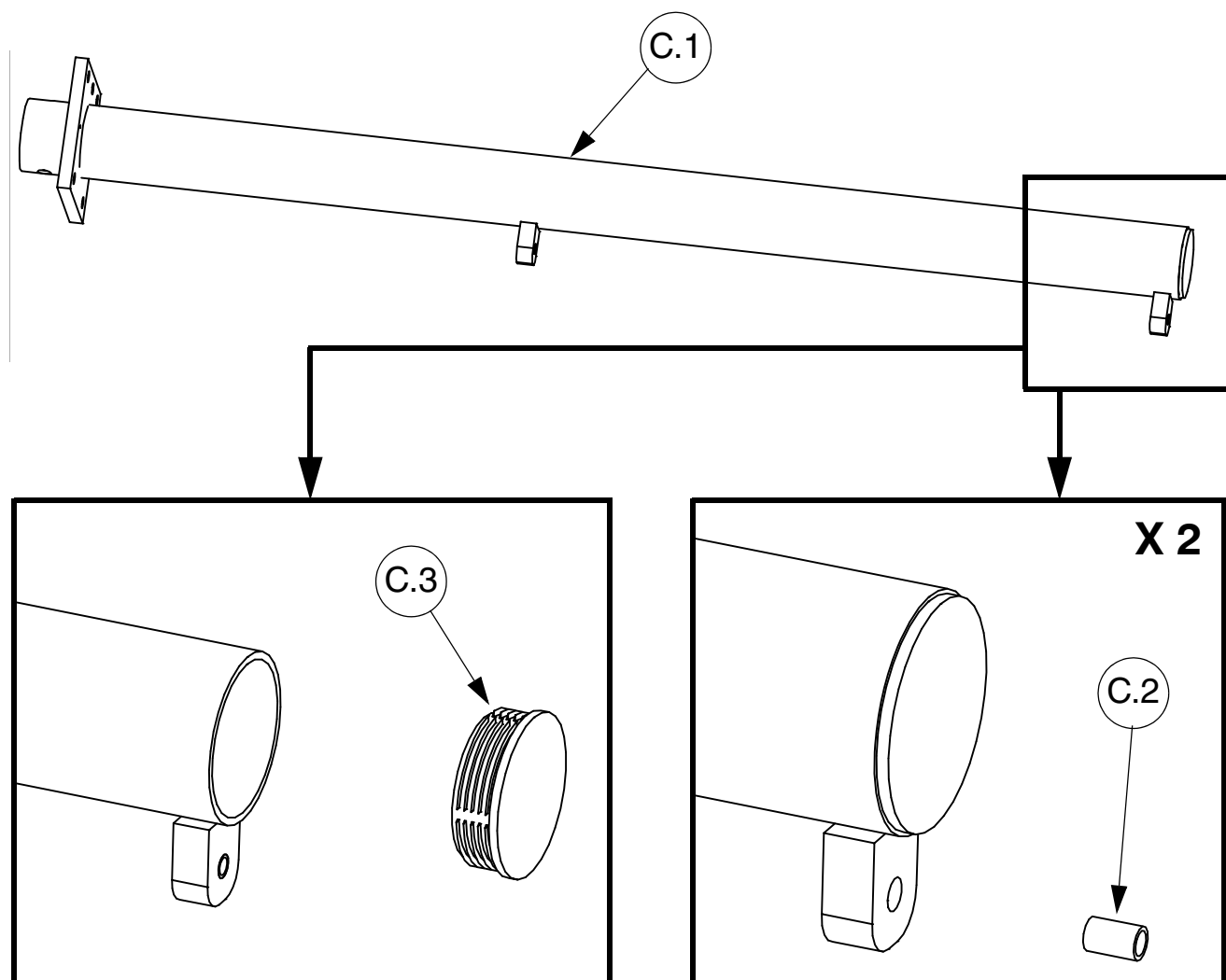


ITEM	REF	71200105	QTY	kg
B.1	71200310		1	21.00
B.2	71022210		1	0.70
B.3	71022213		1	1.60

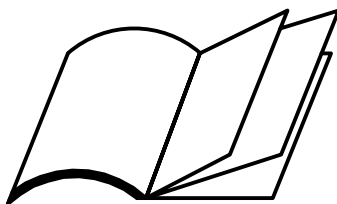


Appendix C:

71200110

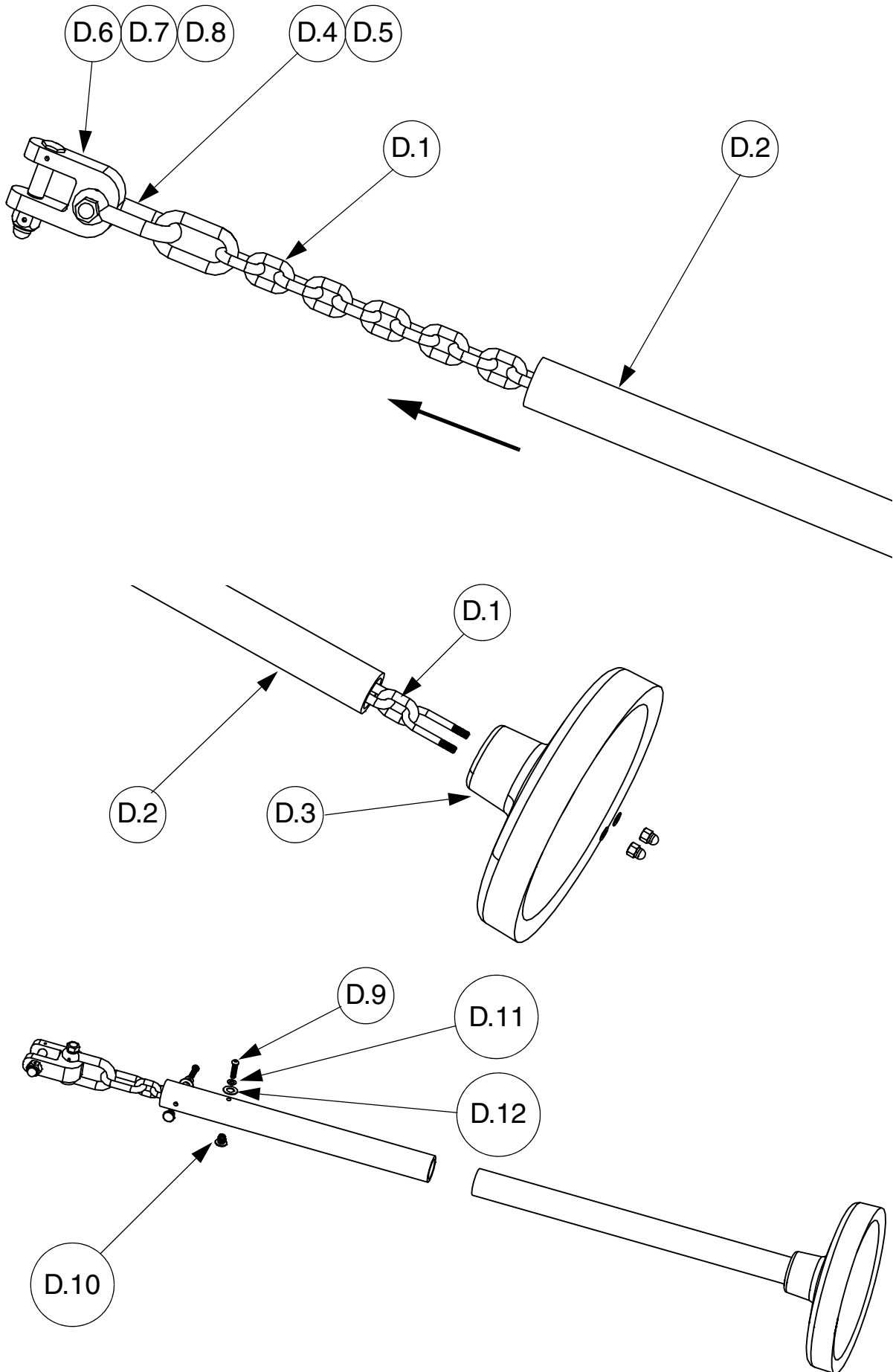


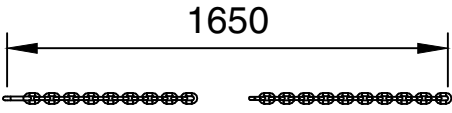
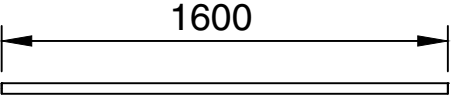
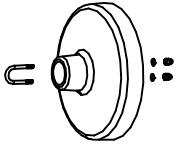
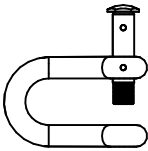

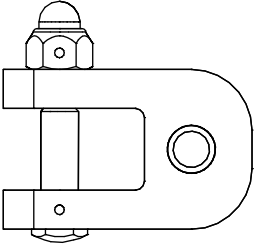
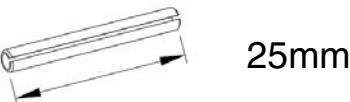
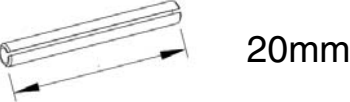
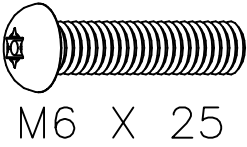

ITEM	REF	71200110	QTY	kg
C.1	71200325		1	30.00
C.2	15011612		3	0.002
C.3	19055100		1	0.052

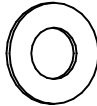
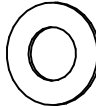


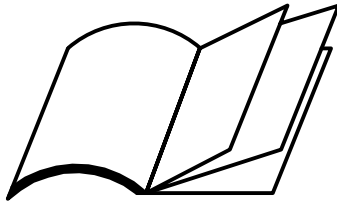
Appendix D:

71240801



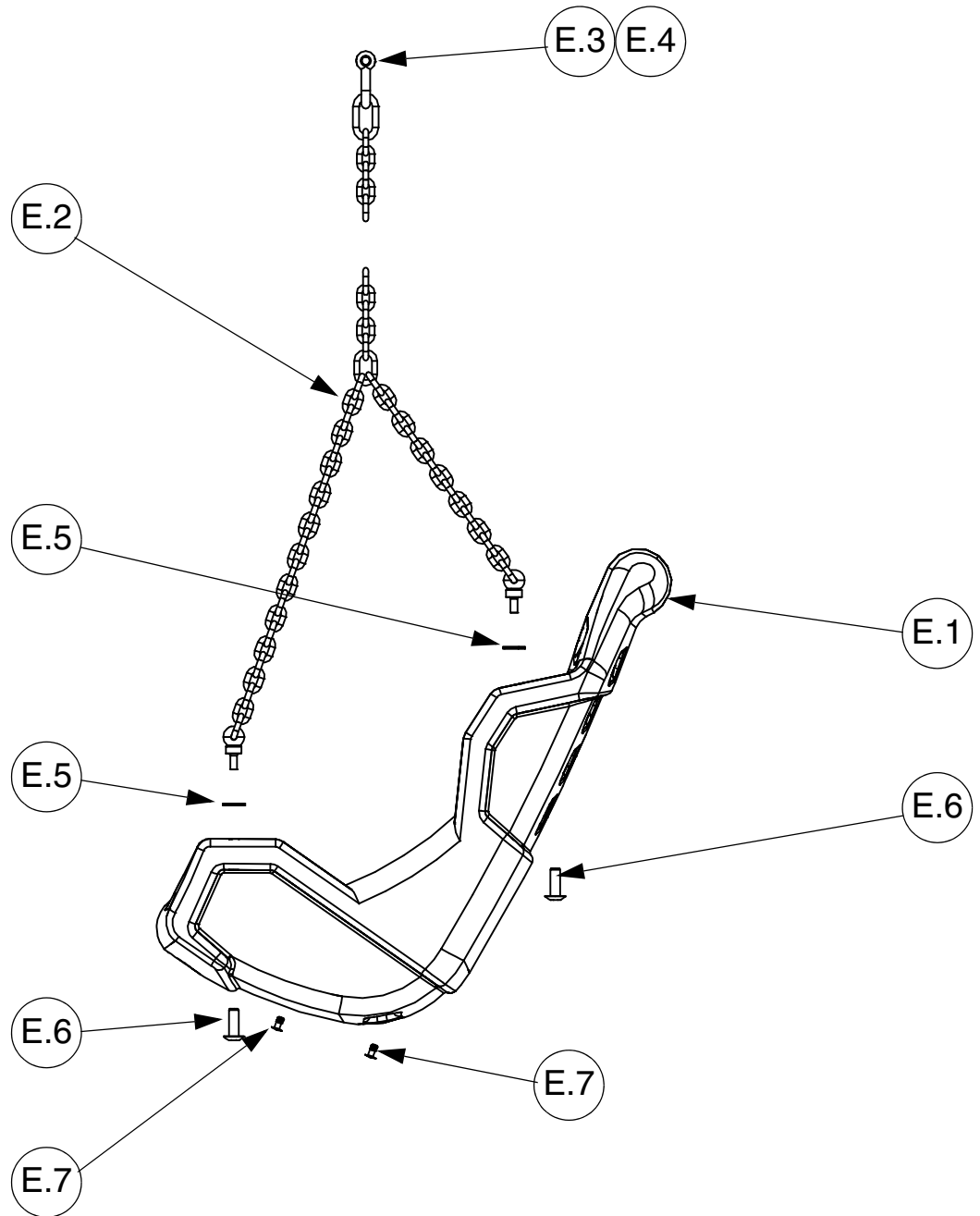
ITEM	REF	71240801	QTY	kg
D.1	71200510		1	3.75
D.2	71200515		1	1.00
D.3	109906		1	0.25
D.4	88096003		1	0.25
D.5	10310325		1	0.002
D.6	71200115		1	0.50
D.7	10310330		1	0.002
D.8	10310331		1	0.002
D.9	10120625		2	0.011
D.10	10930600		2	0.006

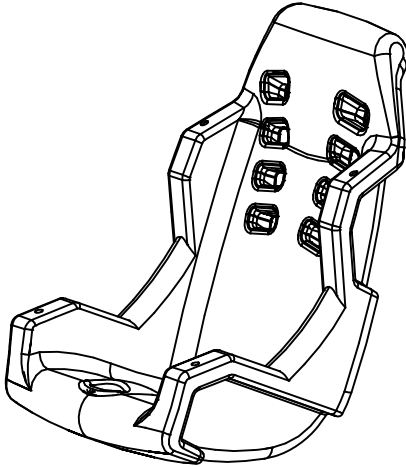
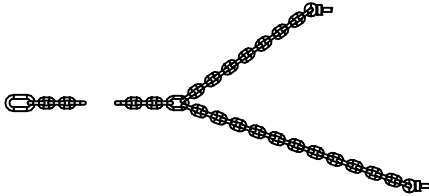
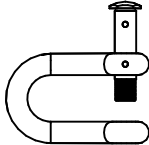


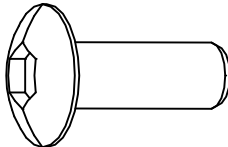
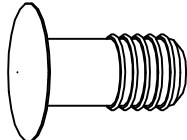
ITEM	REF	71240801	QTY	kg
D.11	10290600	 M6 6.4X12.6X1	2	0.001
D.12	10291000	 M10 11X21X1	2	0.002



Appendix E:

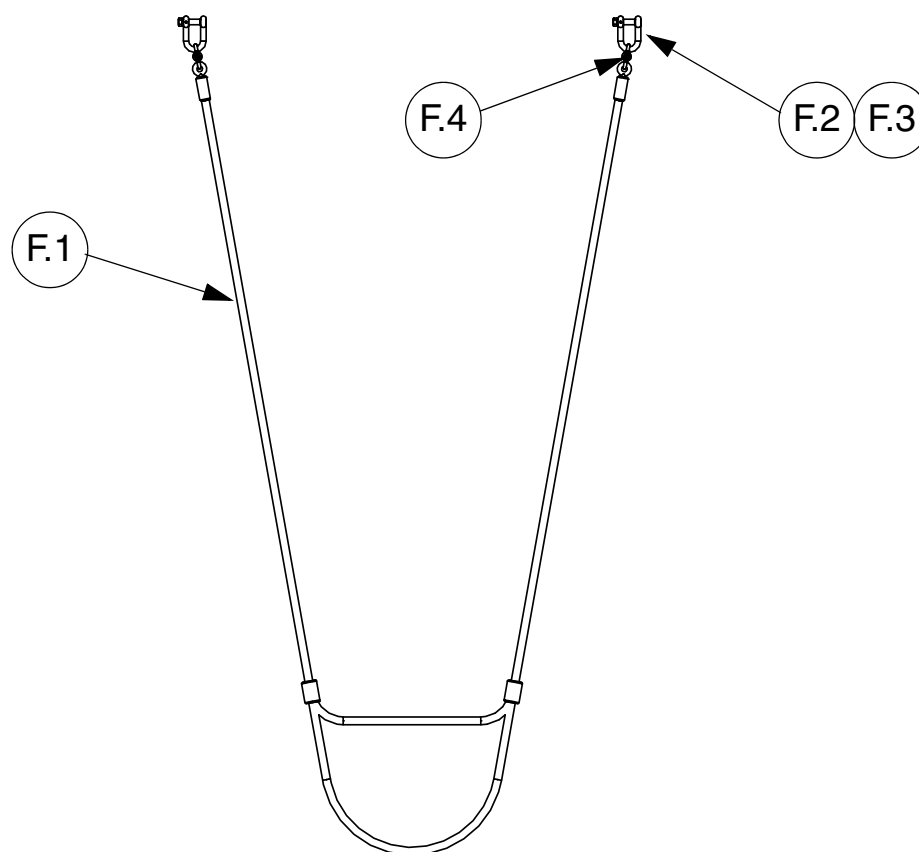
88020801



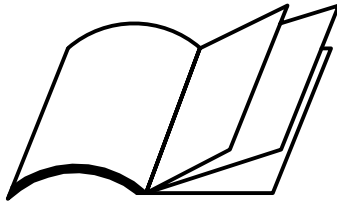
ITEM	REF	88020801	QTY	kg
E.1	88020901		1	6.70
E.2	88020802		1 PAIR	6.00
E.3	88096003		2	0.25
E.4	10310325		2	0.002
E.5	10303212	 T5 13X32X2.6	4	0.011
E.6	88020902		4	0.054
E.7	19024501		4	0.001

Appendix F:

71240802

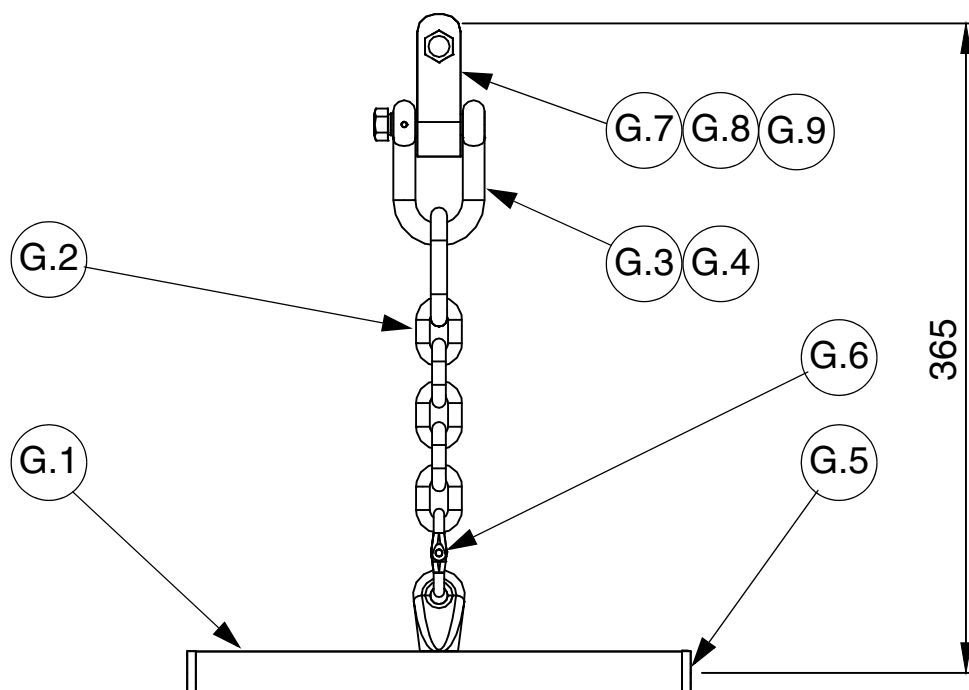




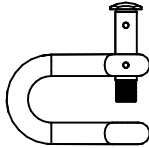

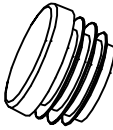
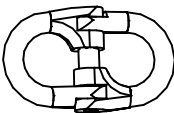
ITEM	REF	71240802	QTY	kg
F.1	71200540		1	2.50
F.2	88096003		2	0.25
F.3	10310325		2	0.002
F.4	15716000		2	0.100

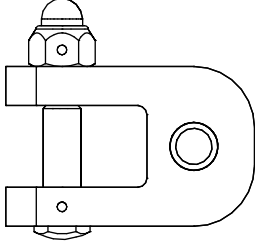




Appendix G:

71240803



ITEM	REF	71240803	QTY	kg
G.1	71200330		1	0.40
G.2	71200520		1	0.60
G.3	88096003		1	0.25
G.4	10310325		1	0.002
G.5	409118		2	0.004
G.6	15715000		1	0.100

ITEM	REF	71240803	QTY	kg
G.7	71200115		1	0.50
G.8	10310330	 25mm	1	0.002
G.9	10310331	 20mm	1	0.002