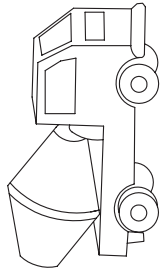

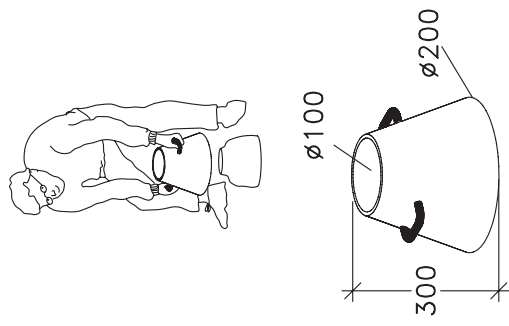
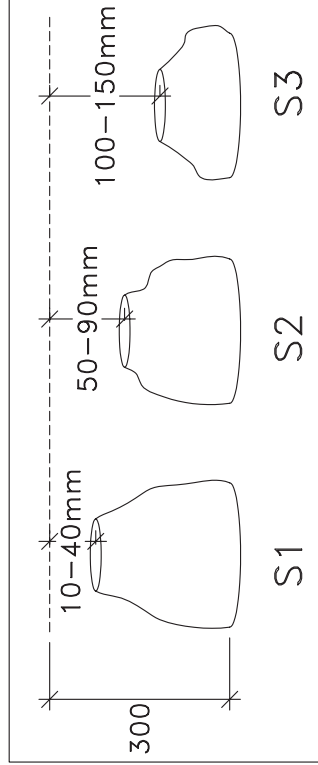
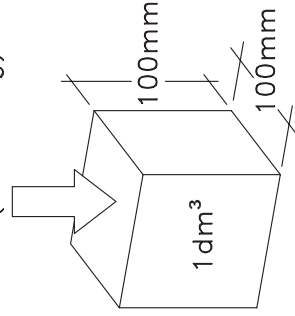
 XxXh		S1-S3	
		>C20/25	101



S1-S3
(EN 206-1)



≥C20/25
(EN 206-1)

25 ton (25000 kg)



HAGS	ANEBY, SWEDEN +46(0)360-47300 www.hags.com
Concrete quality	
101	
1(1)	
 MN	 TJ 2008-02-08 1

2000 PSI (minimum)
3000 PSI (minimum if freezing conditions)

(For US/CAN market)

