

1,25h



Varje vecka
Every week
Jede woche
Chaque semaine



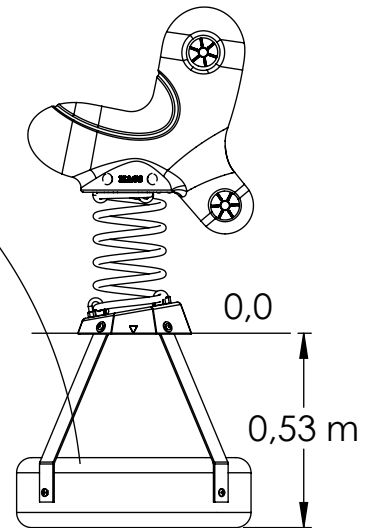
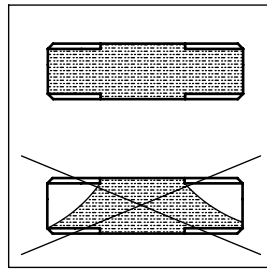
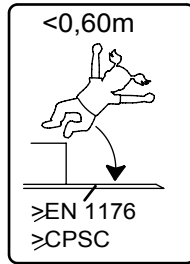
Varje säsong
Every season
Jedes Jahr
Chaque saison



2-5

$$L1=L2$$

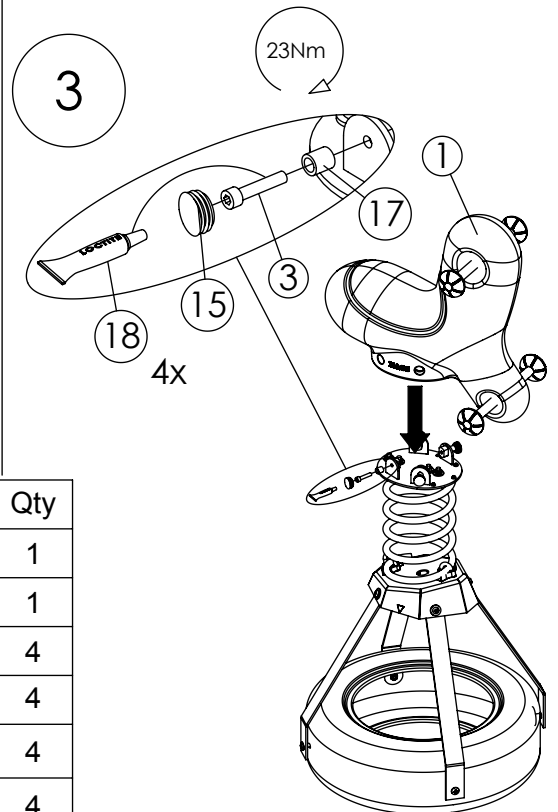
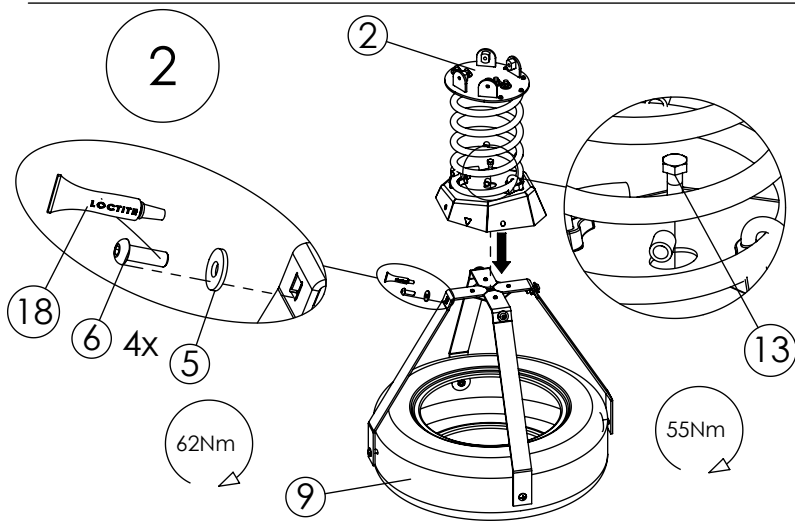
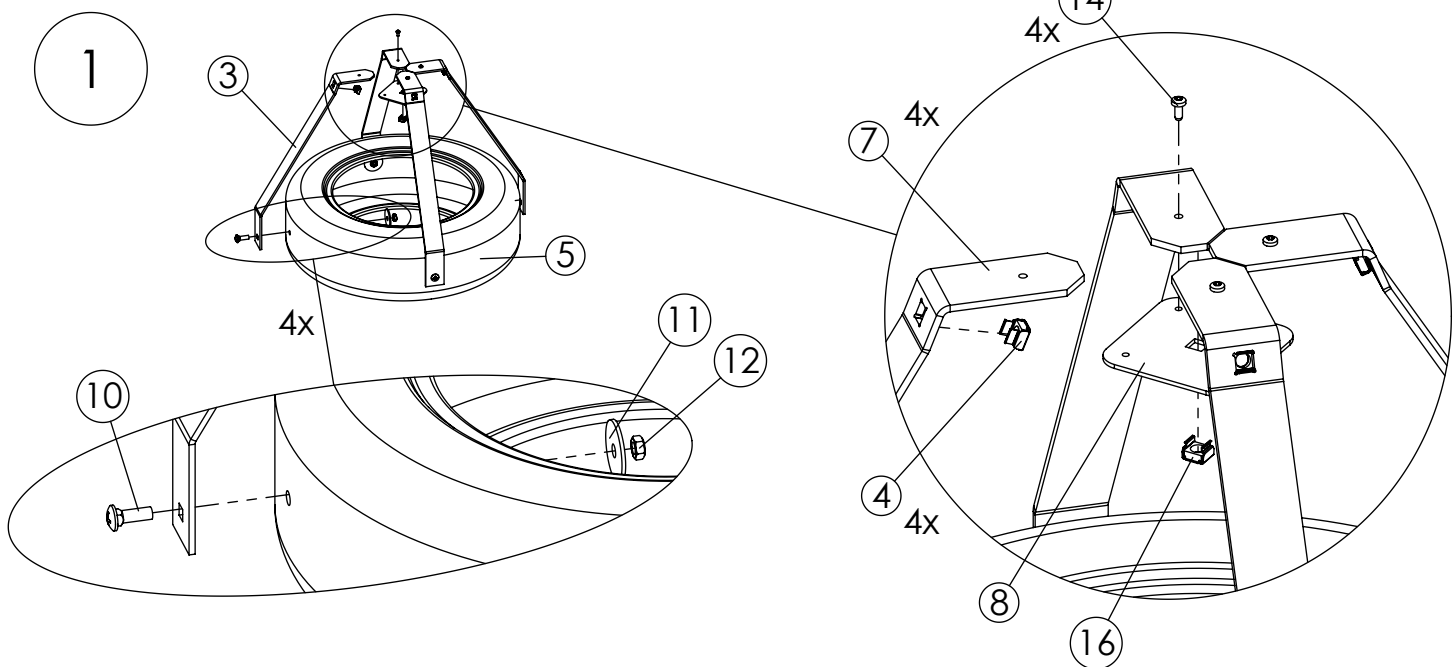
$$W1=W2$$



Description MA	Item Number	Qty
595 x 599 mm	12131110-01	1
420x170 mm	8049204	1
MC6S M8x40 mm	302615	4
Cage Nut M10 4,8-5,5 mm	324809	4
M6M-8 FZB M10	8008796	4
Ø28/18x12 mm	260696	4
570x50x5 mm	127040/12704010	4
100x100x3 mm	127041/12704110	1
620x185 mm (15")	150430	1
MVBF M10x30 mm PH4	304651	4
Ø11x50x3 mm	326009	4
Ø10,5x28x3 mm	8008832 (326003)	4
M6S M10x30 mm	8008373 (302208)	1
MRT-GF M5x12 mm	312258	4
K6S M10x30 mm	8008453 (302508)	4
Cage Nut M10 1.8-3.2 mm	324806	1
Ø15/10 x 16 mm	8005599	4
Loctite 270 3ml	262543	1

HAGS ANEBY, SWEDEN
+46(0)380-47300
www.hags.com

Klimp
121 311
1 (2)



NR.	Description MA	Item Number	Qty
1	595 x 599 mm	12131110-01	1
2	420x170 mm	8049204	1
3	MC6S M8x40 mm	302615	4
4	Cage Nut M10 4,8-5,5 mm	324809	4
5	Ø10,5x28x3 mm	8008832 (326003)	4
6	K6S M10x30 mm	8008453 (302508)	4
7	570x50x5 mm	127040/1270 4010	4
8	100x100x3 mm	127041/1270 4110	1
9	620x185 mm (15")	150430	1
10	MVBF M10x30 mm PH4	304651	4
11	Ø11x50x3 mm	326009	4
12	M6M-8 FZB M10	8008796	4
13	M6S M10x30 mm	8008373 (302208)	1
14	MRT-GF M5x12 mm	312258	4
15	Ø28/18x12 mm	260696	4
16	Cage Nut M10 1.8-3.2 mm	324806	1
17	Ø15/10 x 16 mm	8005599	4
18	Loctite 270 3ml	262543	1

HAGS ANEBY, SWEDEN
+46(0)380-47300
www.hags.com

Klimp
121 311
2 (2)

2014-10-23 6