



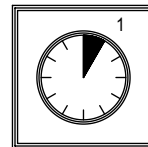
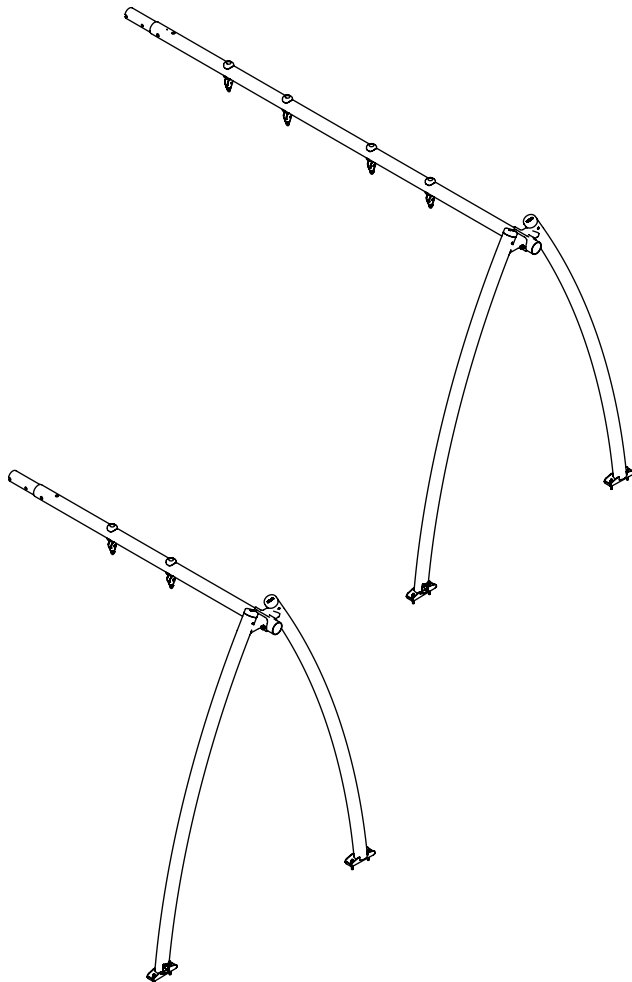
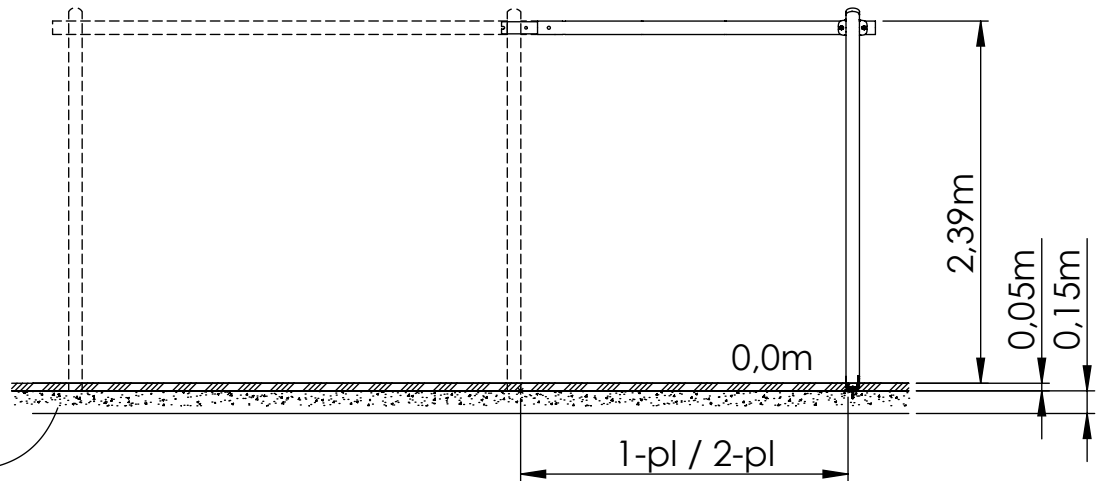
4x24h



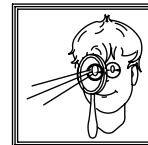
>C20/25  
S1-S3



101



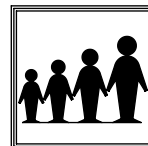
2,0h



Varje vecka  
Every week  
Jede woche  
Chaque semaine



Varje säsong  
Every season  
Jedes Jahr  
Chaque saison



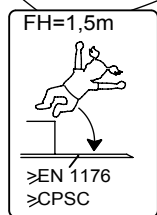
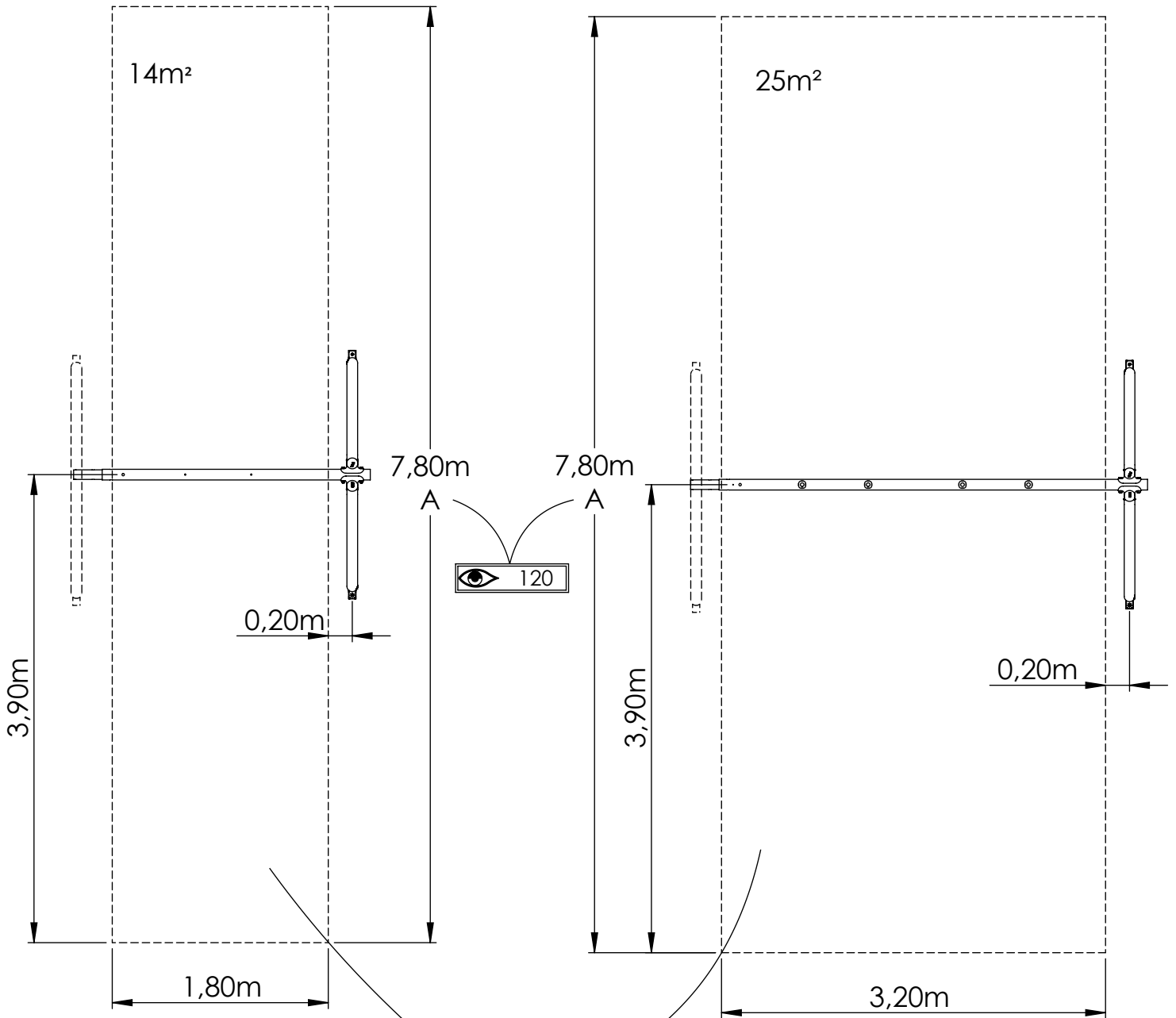
2-12

**HAGS** ANEBY, SWEDEN  
+46(0)380-47300  
www.hags.com

Omega add. module OM  
**MASW51367**  
1 ( 5 )

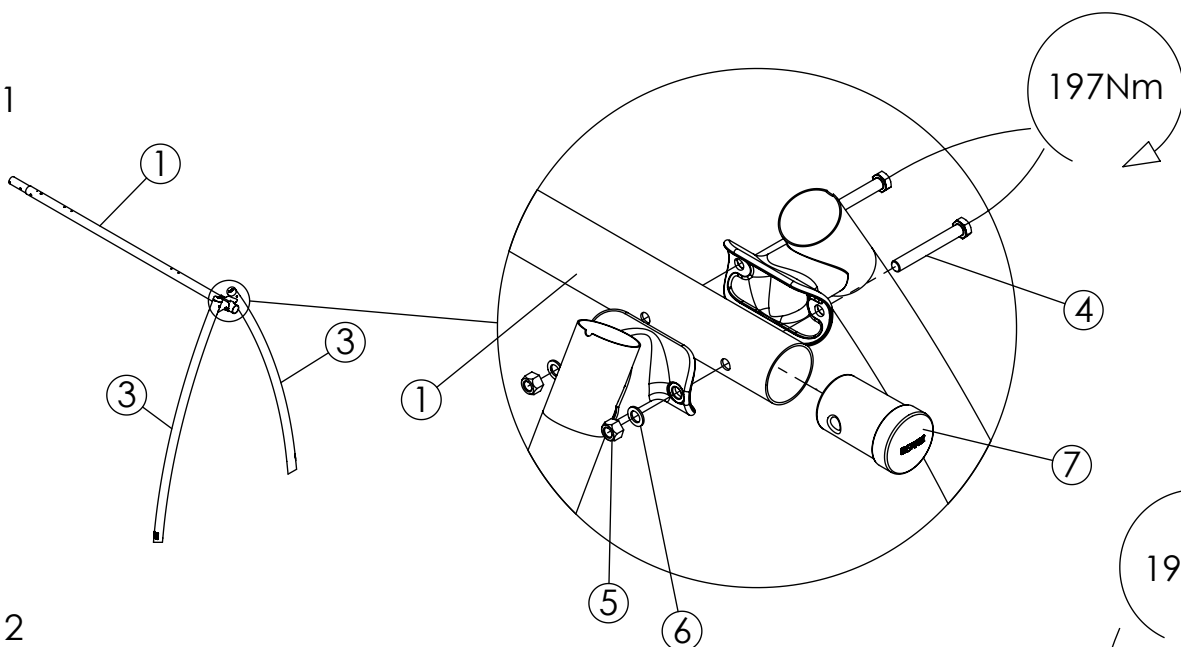
Additional module 1-pl

Additional module 2-pl

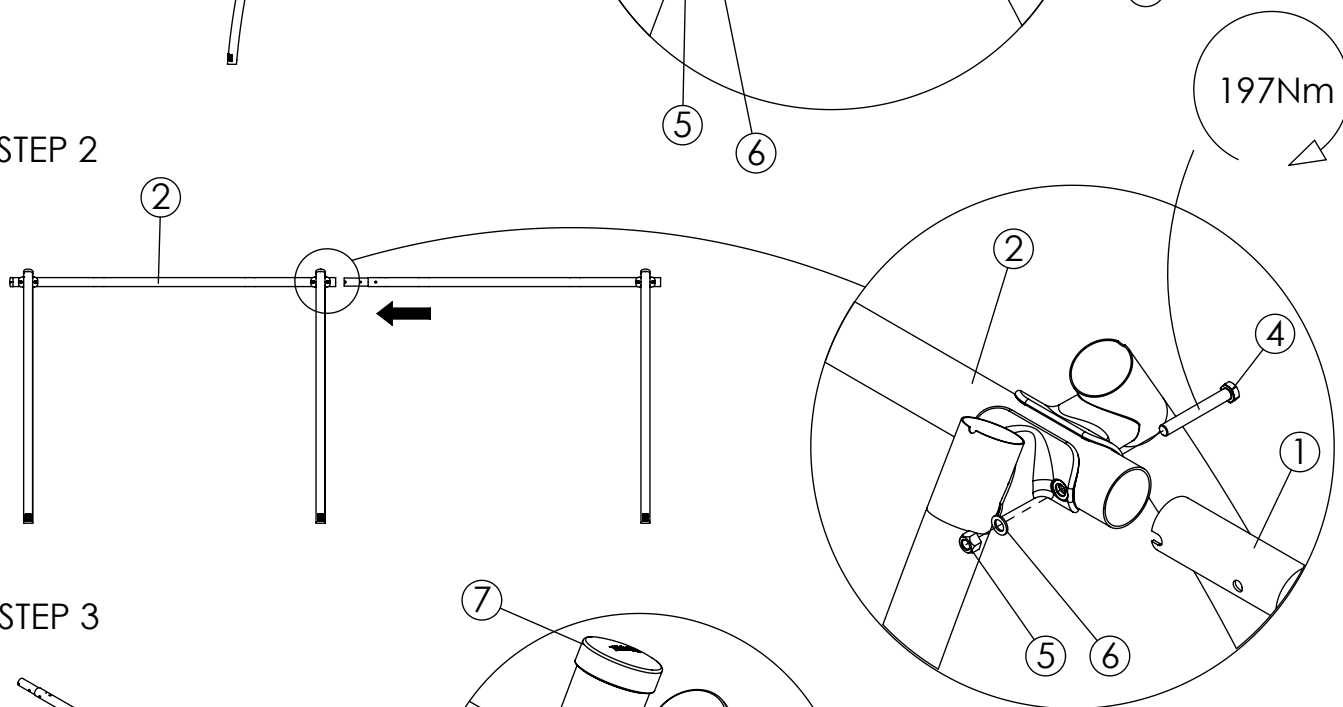


<b>HAGS</b>		ANEBY, SWEDEN +46(0)380- 47300 www.hags.com	
<b>Omega add. module OM MASW51367</b>			
<b>2 ( 5 )</b>			
	Tek		ToB
			2016-04-13
			3

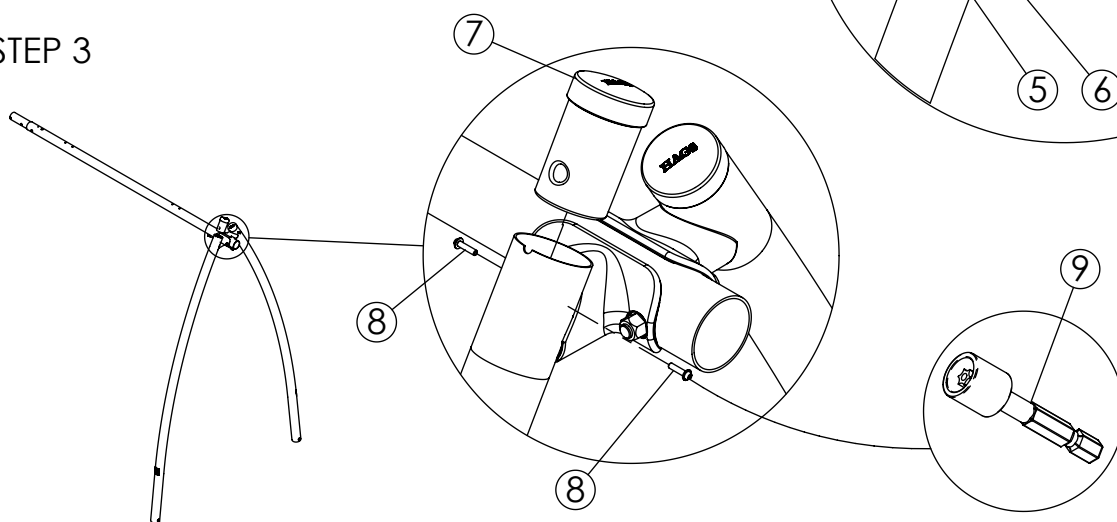
STEP 1



STEP 2



STEP 3



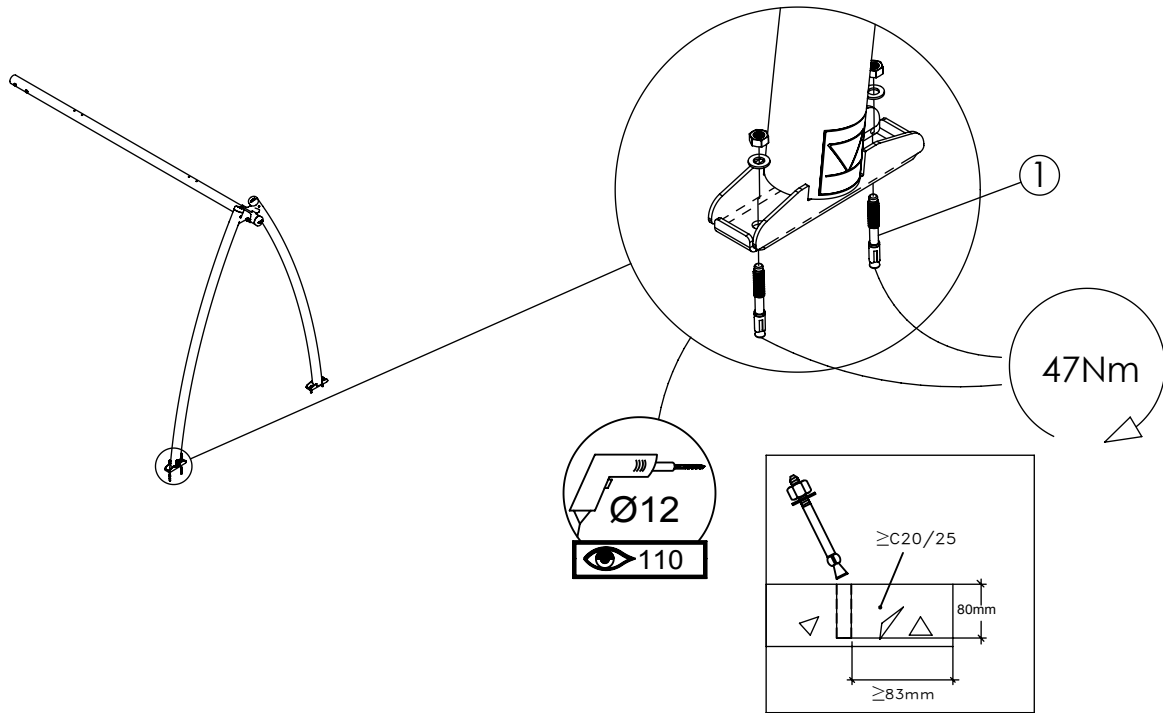
NR.	Description MA	Item Number	Qty
1	Beam Additional module	8057739 8057741	1
2	Omega		1
3	Leg	8057666	2
4	M6S 8.8 M16x120	8057703	2
5	M6M -8 M16	8042812	2
6	Ø17x28x2,5	8058078	2
7	End piece	8043004	3
8	T-27 Torx 6x25mm	8008505	4
9	Bits T-27	8006003	1

**HAGS** ANEBY, SWEDEN  
+46(0)380-47300  
www.hags.com

**Omega add. module OM  
MASW51367  
3 ( 5 )**

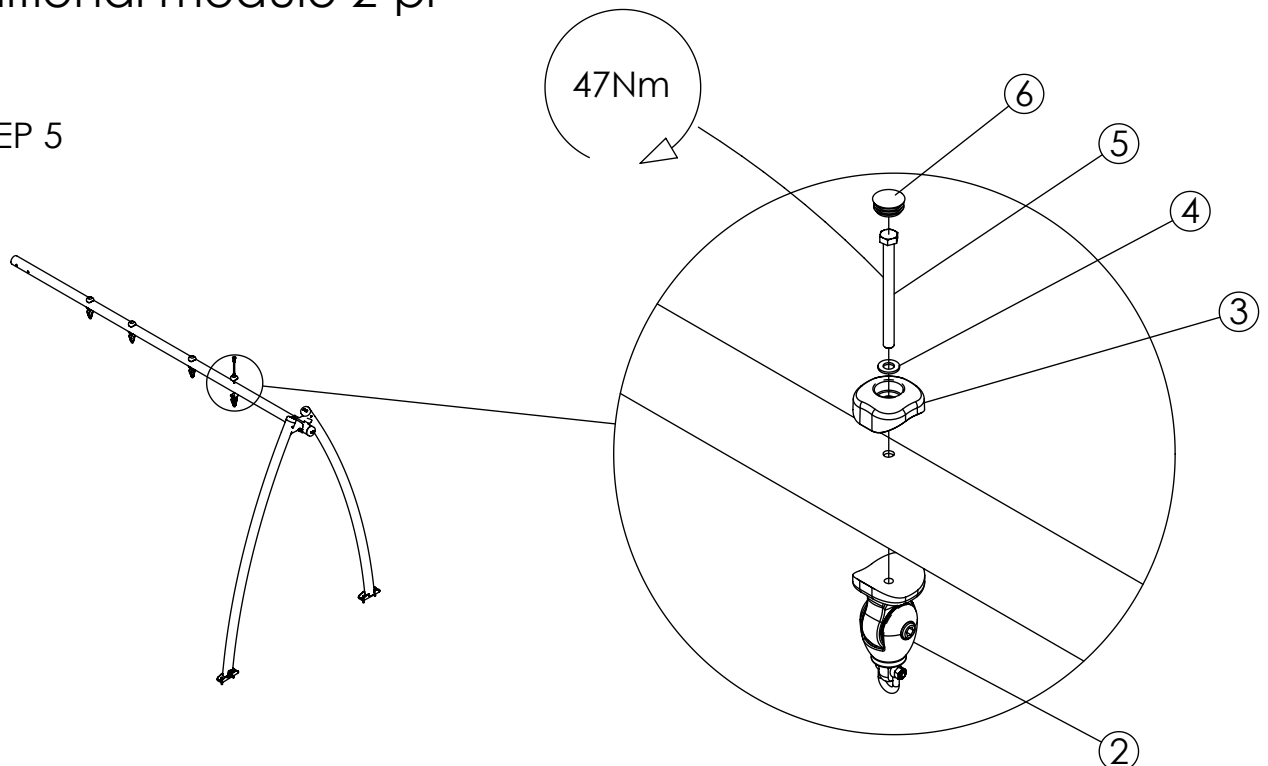
TeK ToB 2016-04-13 3

STEP 4



Additional module 2-pl

STEP 5



NR.	Description MA	Item Number	Qty
1	Wedge anchor M10x80	8008561	4
2	Swing joint	8050617	4
3	Cover	8050617	4
4	Ø11x24x2	8050617	4
5	M6S M10x120 mm	8050617	4
6	Top cover	8050617	4

**HAGS** ANEBY, SWEDEN  
+46(0)380-47300  
www.hags.com

**Omega add. module OM  
MASW51367  
4 ( 5 )**

TeK ToB 2016-04-13 3

