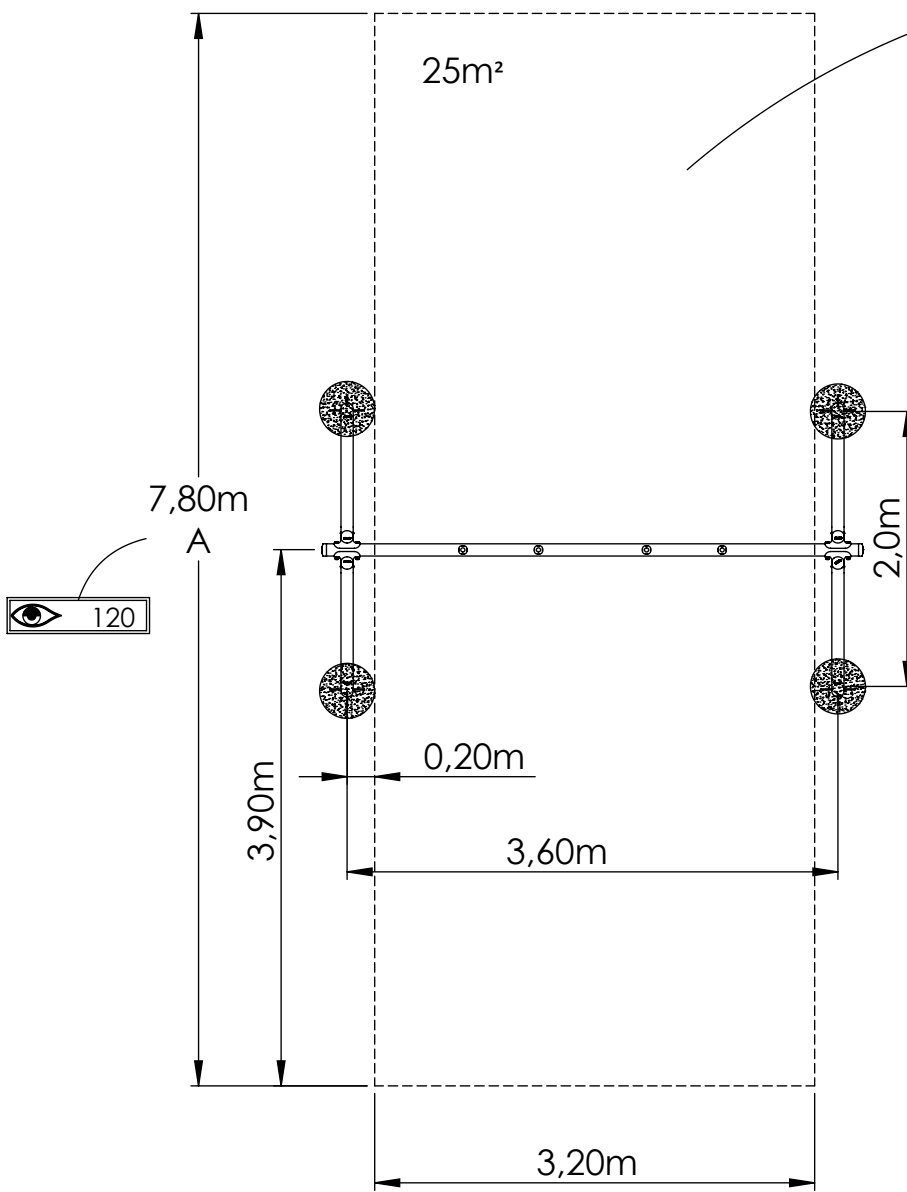


4x24h  
  
 >C20/25  
 S1-S3  
 101

FH=1,5m  
  
 >EN 1176  
 >CPSC



120

1  
 2,0h

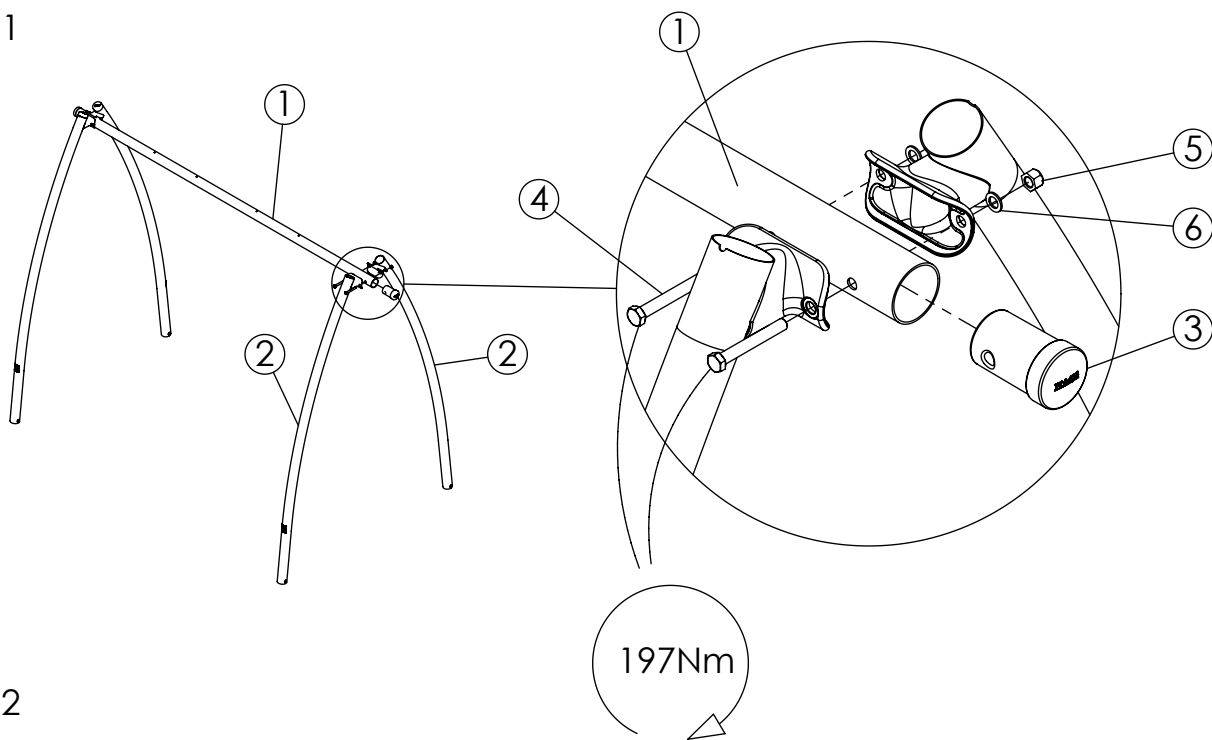
Varje vecka  
 Every week  
 Jede woche  
 Chaque semaine

Varje säsong  
 Every season  
 Jedes Jahr  
 Chaque saison

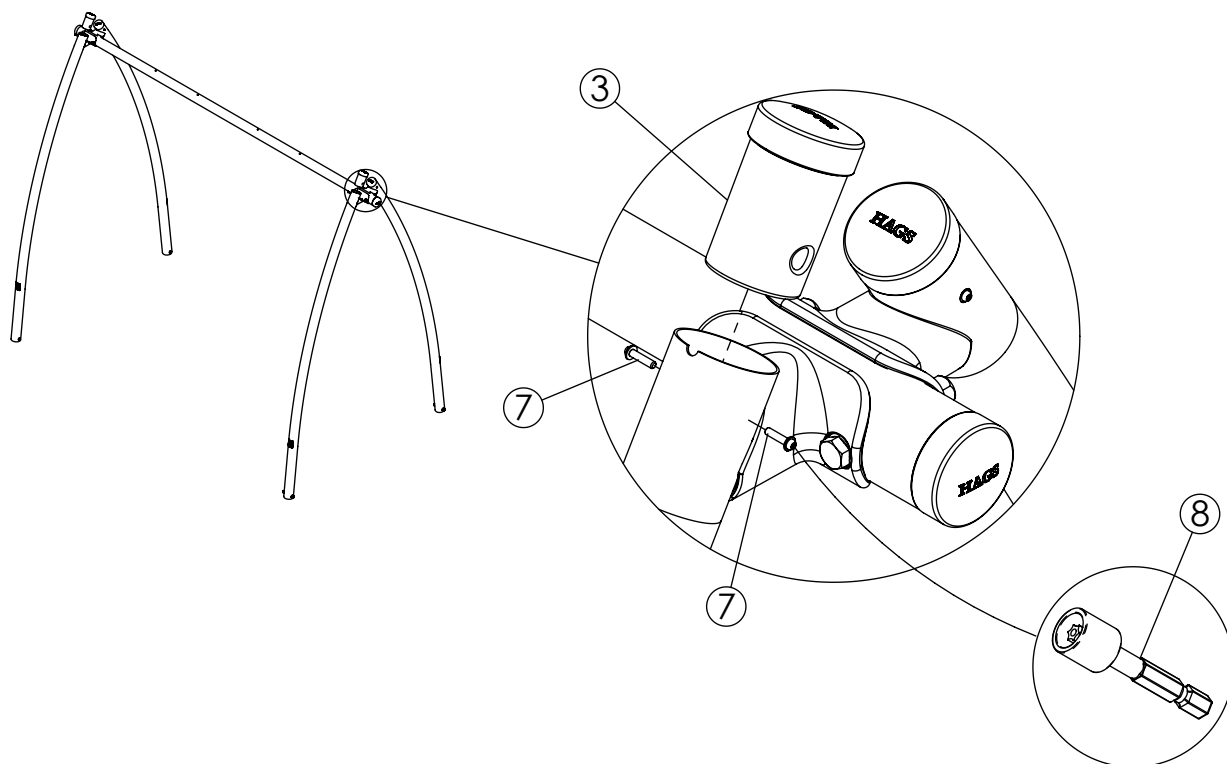
2-12

**HAGS** ANEBY, SWEDEN  
 +46(0)380-47300  
 www.hags.com  
**Omega 2-pl CC**  
**MASW51387**  
 1 ( 3 )  
 Tek JOT 2016-04-12 3

STEP 1



STEP 2



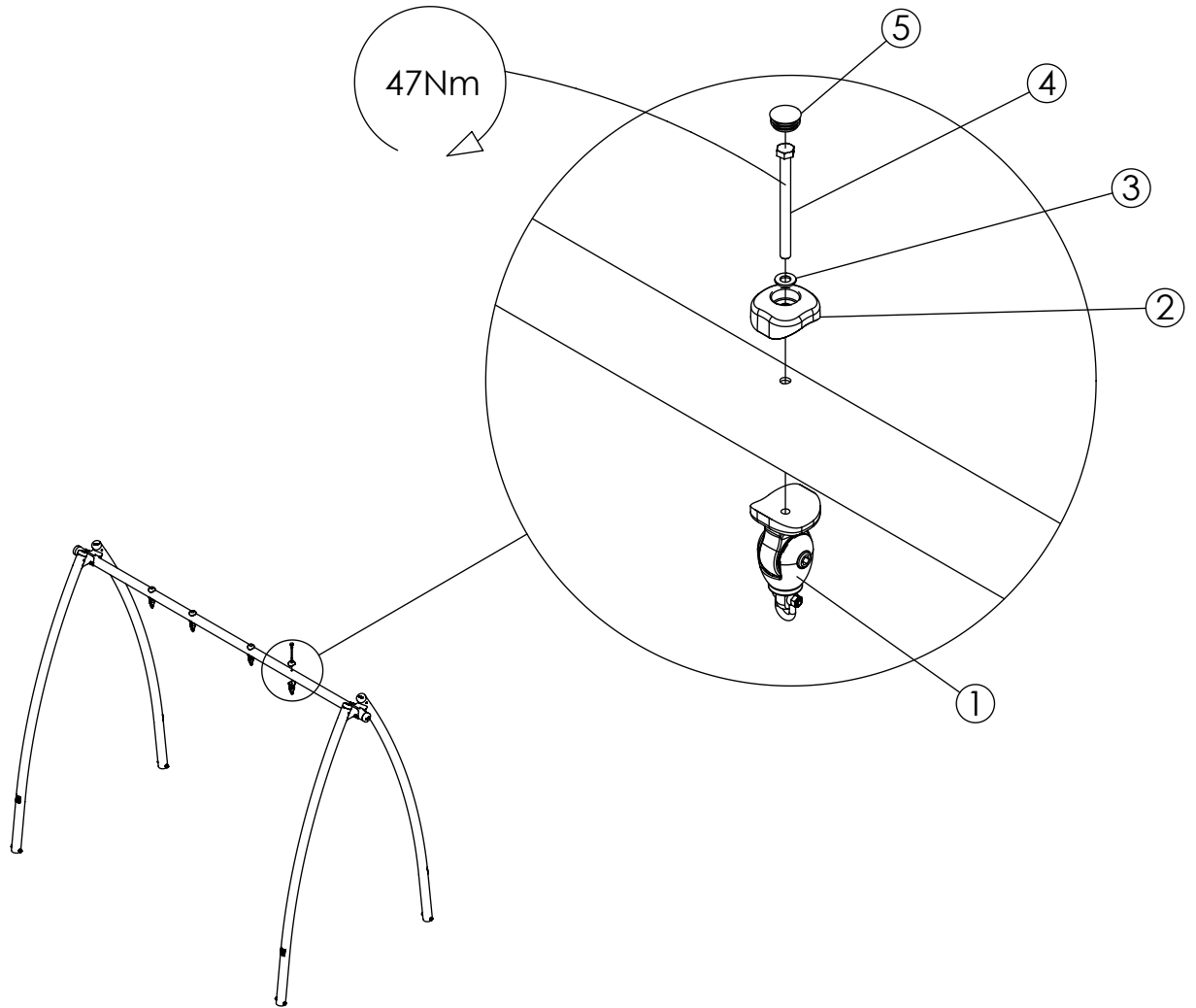
NR.	Description MA	Item Number	Qty
1	Beam Bas module 2-pl	8057738	1
2	Leg	8057744	4
3	End piece	8043004	6
4	M6S 8.8 M16x120	8057703	4
5	M6M -8 M16	8042812	4
6	Ø17x28x2,5	8058078	4
7	T-27 Torx 6x25mm	8008505	8
8	Bits T-27	8006003	1

**HAGS** ANEBY, SWEDEN  
+46(0)380-47300  
www.hags.com

**Omega 2-pl CC  
MASW51387  
2 ( 3 )**

TeK JOT 2016-04-12 3


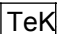


STEP 3



NR.	Description MA	Item Number	Qty
1	Swing joint	8050617	4
2	Cover	8050617	4
3	Ø11x24x2	8050617	4
4	M6S M10x120 mm	8050617	4
5	Top cover	8050617	4

**HAGS** ANEBY, SWEDEN  
+46(0)380-47300  
www.hags.com

**Omega 2-pl CC**  
**MASW51387**  
**3 ( 3 )**





 2016-04-12 | 3