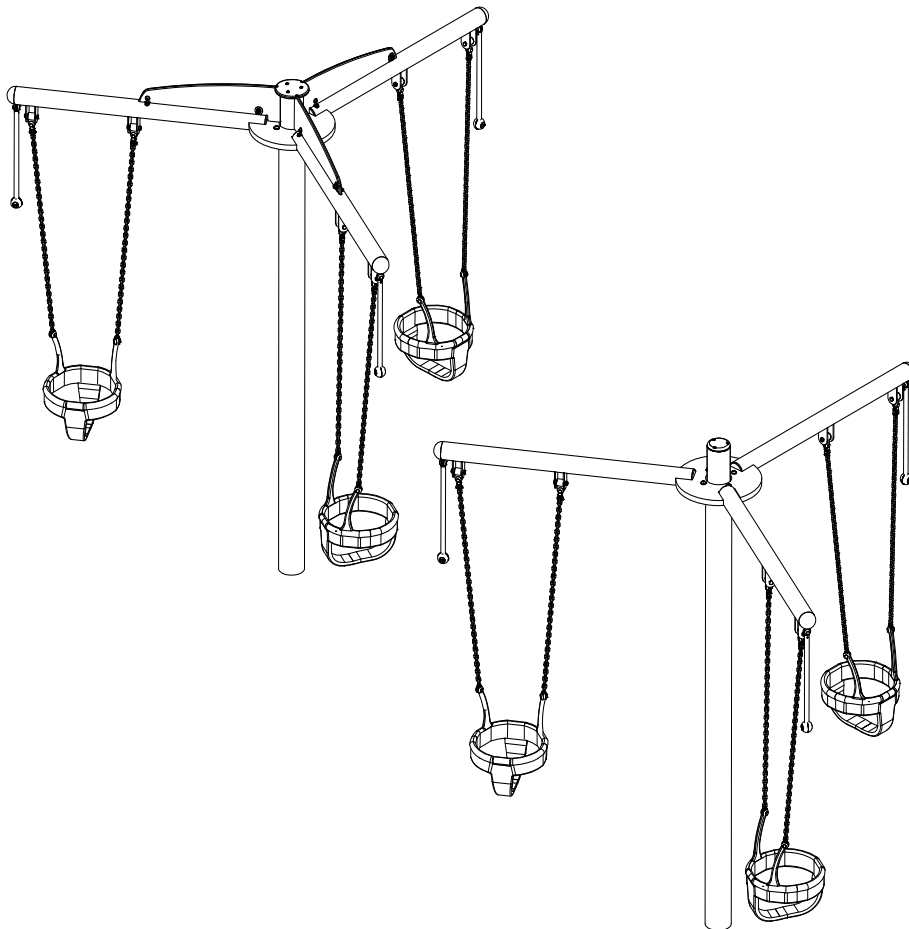


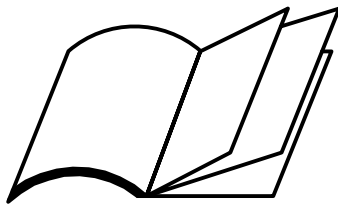
# HAGS

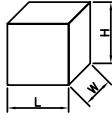
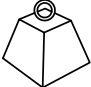

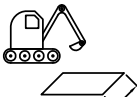
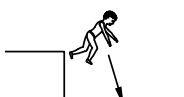

## MINI TITAN CAROUSEL

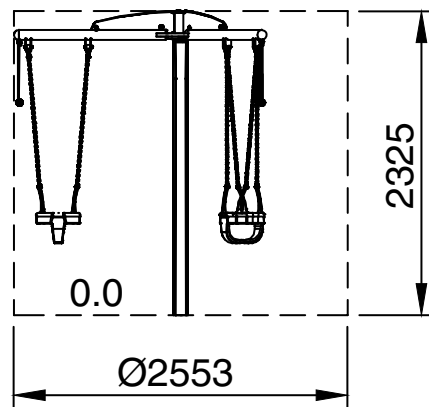
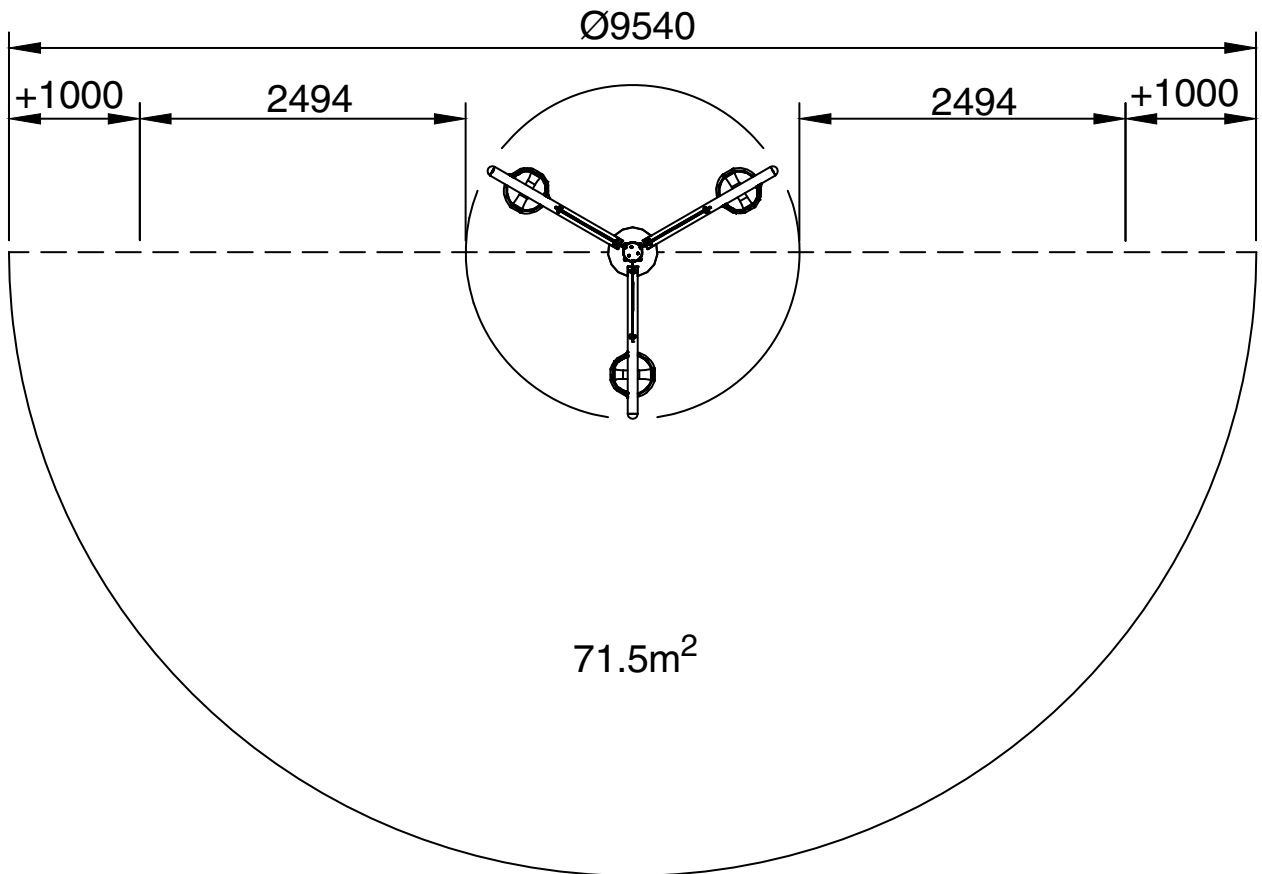
H8050597, H8050600 & H8050602

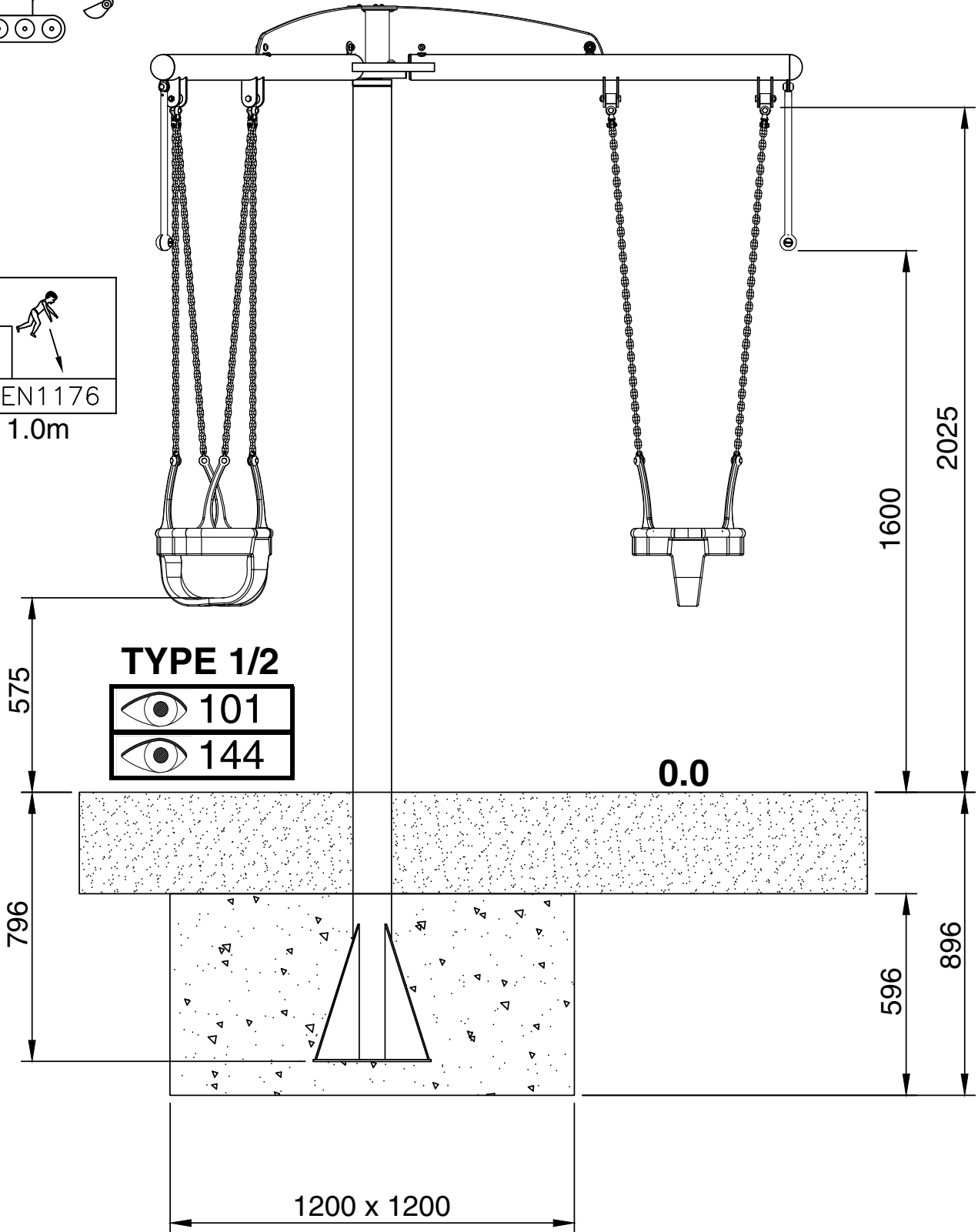
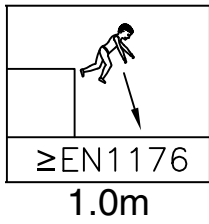
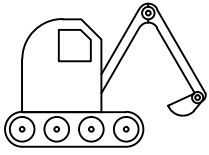
V-8050594 or 8051738 & V-8050601 or 8051740

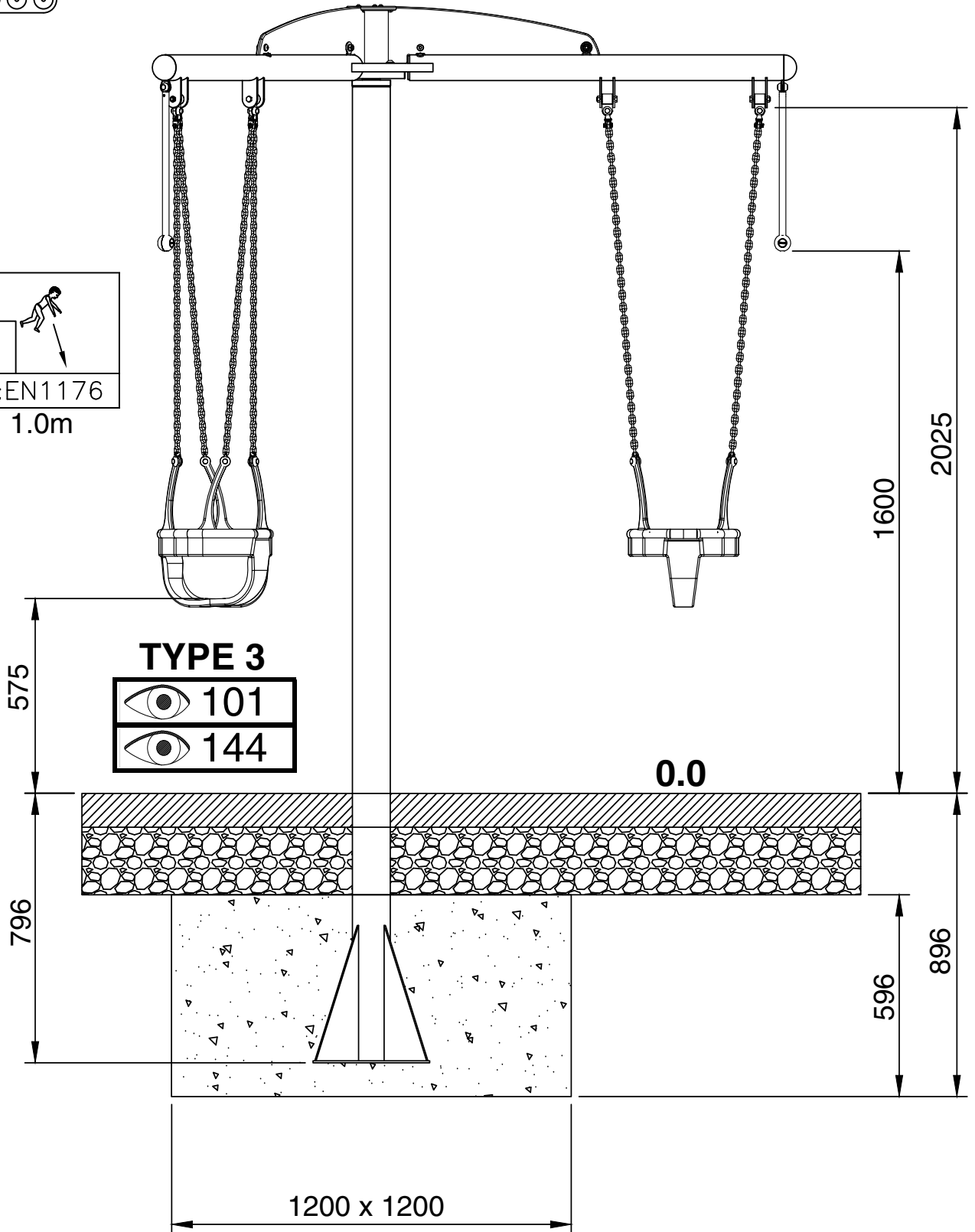
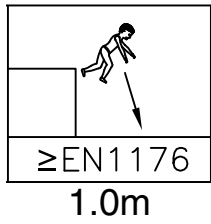
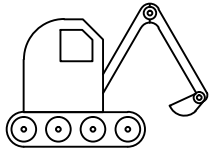




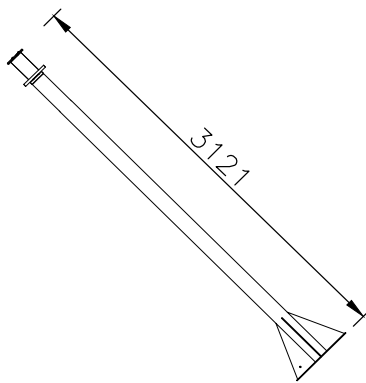
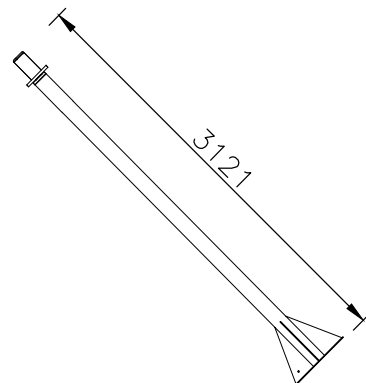
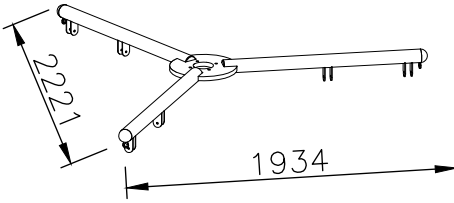
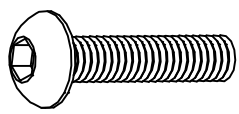
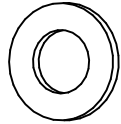
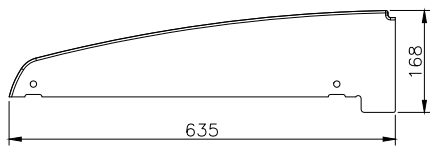
	 LxWxH (m)	 kg	 m <sup>3</sup>	 m	 ≥EN1176	 x 3= T
H8050597 H8050600 H8050602	Ø2.553x 2.325	157	0.858	5.00 x 5.00	1.0m	T=9
V-8050594 8051738 V-8050601 8051740	Ø2.553x 2.325	153	0.858	5.00 x 5.00	1.0m	T=7

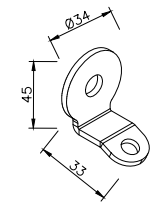
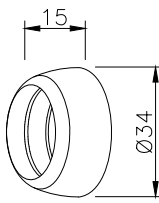
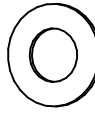
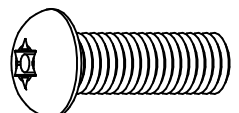
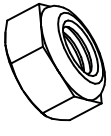
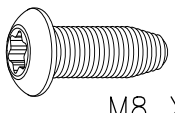
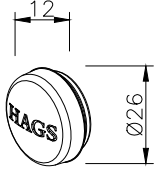
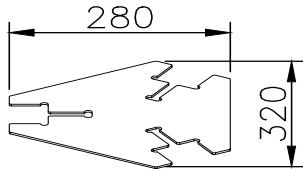
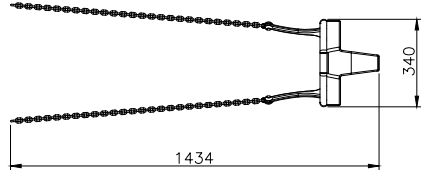


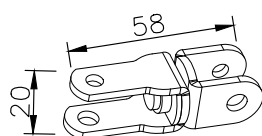
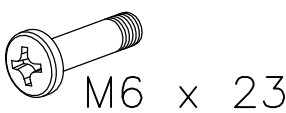

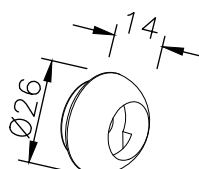
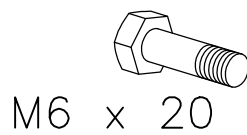
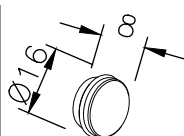
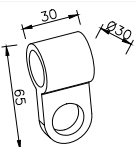
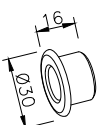
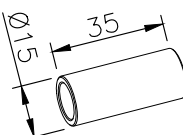
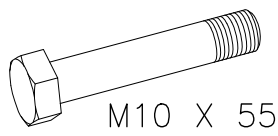



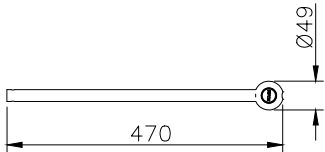
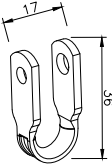
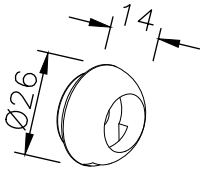
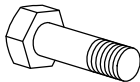
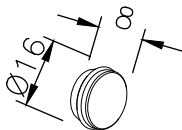
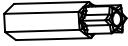
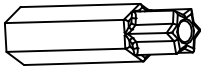
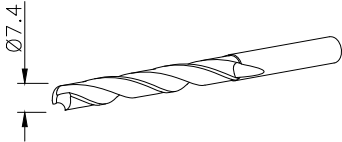


1 PARTS LIST

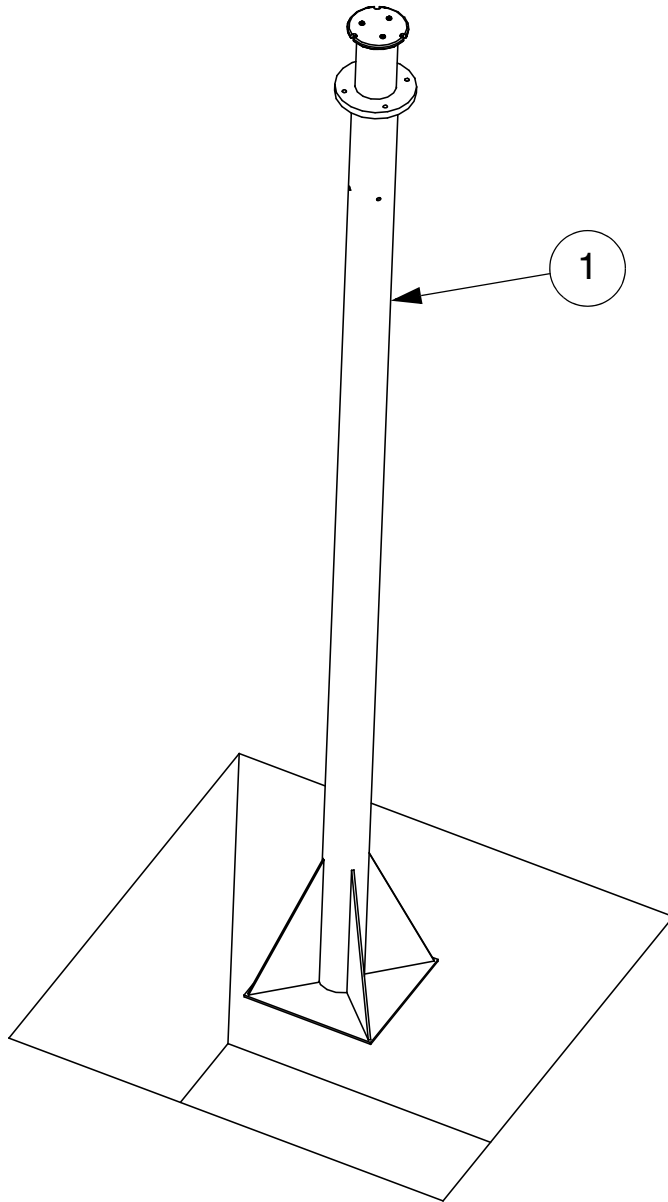
ITEM	REF		H8050597	H8050600	H8050602	V-8050594 8051738	V-8050601 8051740	kg
1	71601003		1	1	1			86.00
	71000104					1	1	86.00
2	71603003		1	1	1	1	1	48.50
3	10141245	 M12 X 45	4	4	4	4	4	0.050
4	10291200	 M12 13X24X2.5	4	4	4	4	4	0.003
5	8050557		3	3	3			1.18

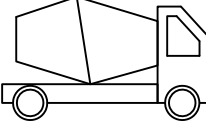


ITEM	REF		H8050597	H8050600	H8050602	V-8050594 8051738	V-8050601 8051740	kg
6	71604008		6	6	6			0.030
7	8005961		6	6	6			0.006
8	10291000	 M10 11X21X1	12	12	12			0.001
9	10121030	 M10 X 30	6	6	6			0.003
10	10261000	 M10	6	6	6			0.001
11	8008506	 M8 X 25	6	6	6			0.013
12	8005963		6	6	6			0.003
13	8051439		1	1	1			1.31
14	8049958		3	3	3	3	3	5.400

ITEM	REF		H8050597	H8050600	H8050602	V-8050594 8051738	V-8050601 8051740	kg
15	8008973		6	6	6	6	6	0.036
16	8008524		6	6	6	6	6	0.008
17	8042808		6	6	6	6	6	0.002
18	8005970		12	12	12	12	12	0.001
19	8008330		6	6	6	6	6	0.007
20	8005971		12	12	12	12	12	0.001
21	8005451		6	6	6	6	6	0.040
22	8005461		12	12	12	12	12	0.004
23	8005462		6	6	6	6	6	0.022
24	8008381		6	6	6	6	6	0.045
25	8008796		6	6	6	6	6	0.009

ITEM	REF		H8050597	H8050600	H8050602	V-8050594 8051738	V-8050601 8051740	kg
26	8050555		3	3	3	3	3	0.26
27	8008965		3	3	3	3	3	0.012
28	8005970		6	6	6	6	6	0.001
29	8008330	 M6 x 20	3	3	3	3	3	0.007
30	8005971		6	6	6	6	6	0.001
31	10120600	 T30 M6	1	1	1	1	1	-
32	10121000	 T45 M10	1	1	1	1	1	-
33	8049335		2	2	2			-

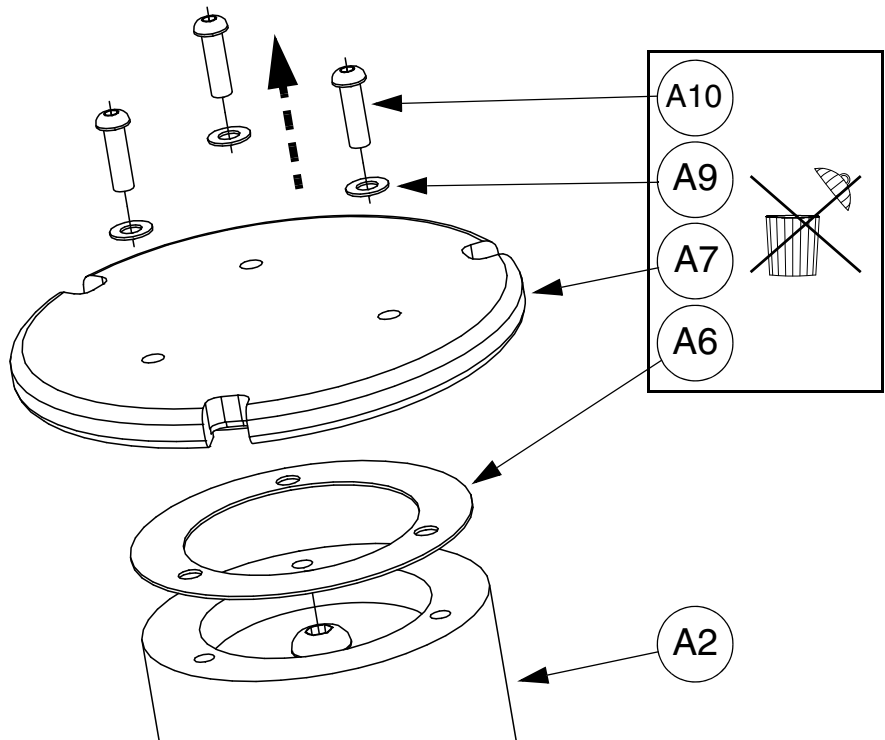
# STEP 1




S2 (50mm)
≥C20-25
 7 x 24h
 101

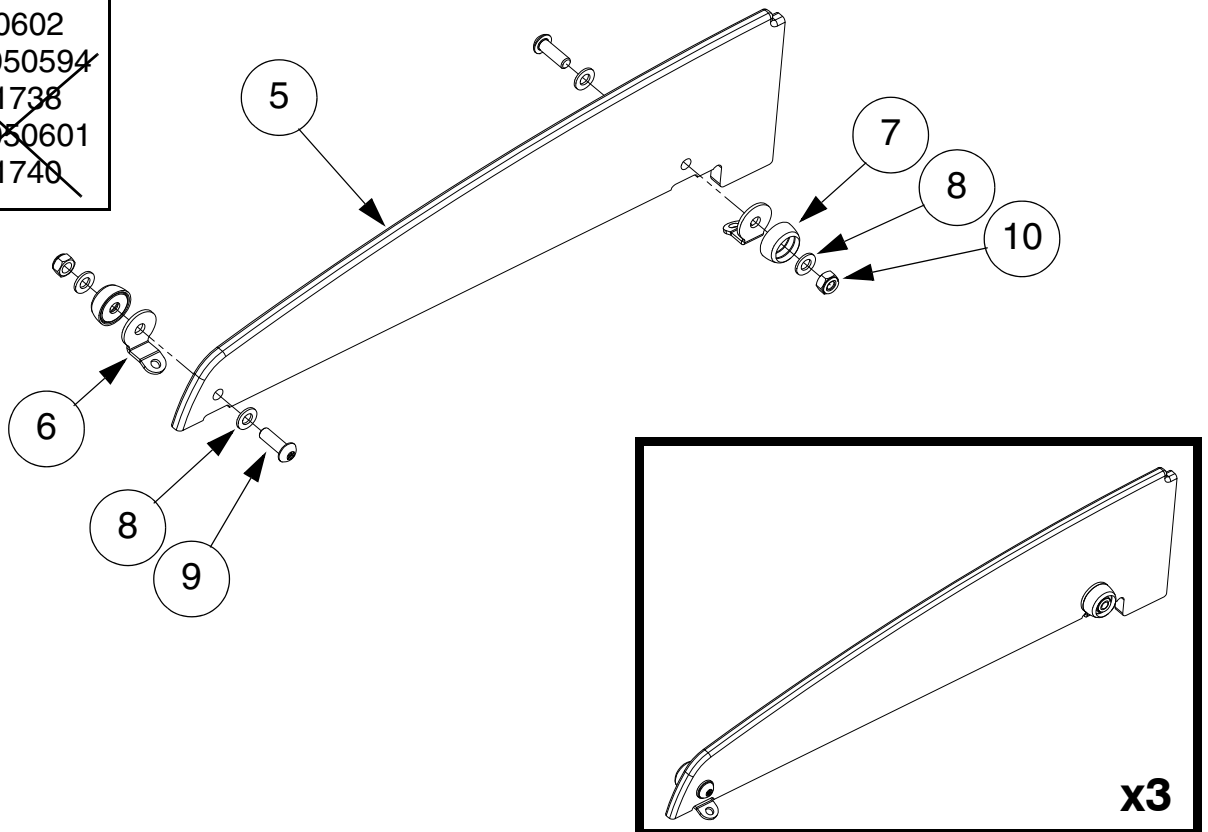
## STEP 2

- H8050597
- H8050600
- H8050602
- ~~\* V-8050594~~
- ~~\* 8051738~~
- ~~\* V-8050601~~
- ~~\* 8051740~~



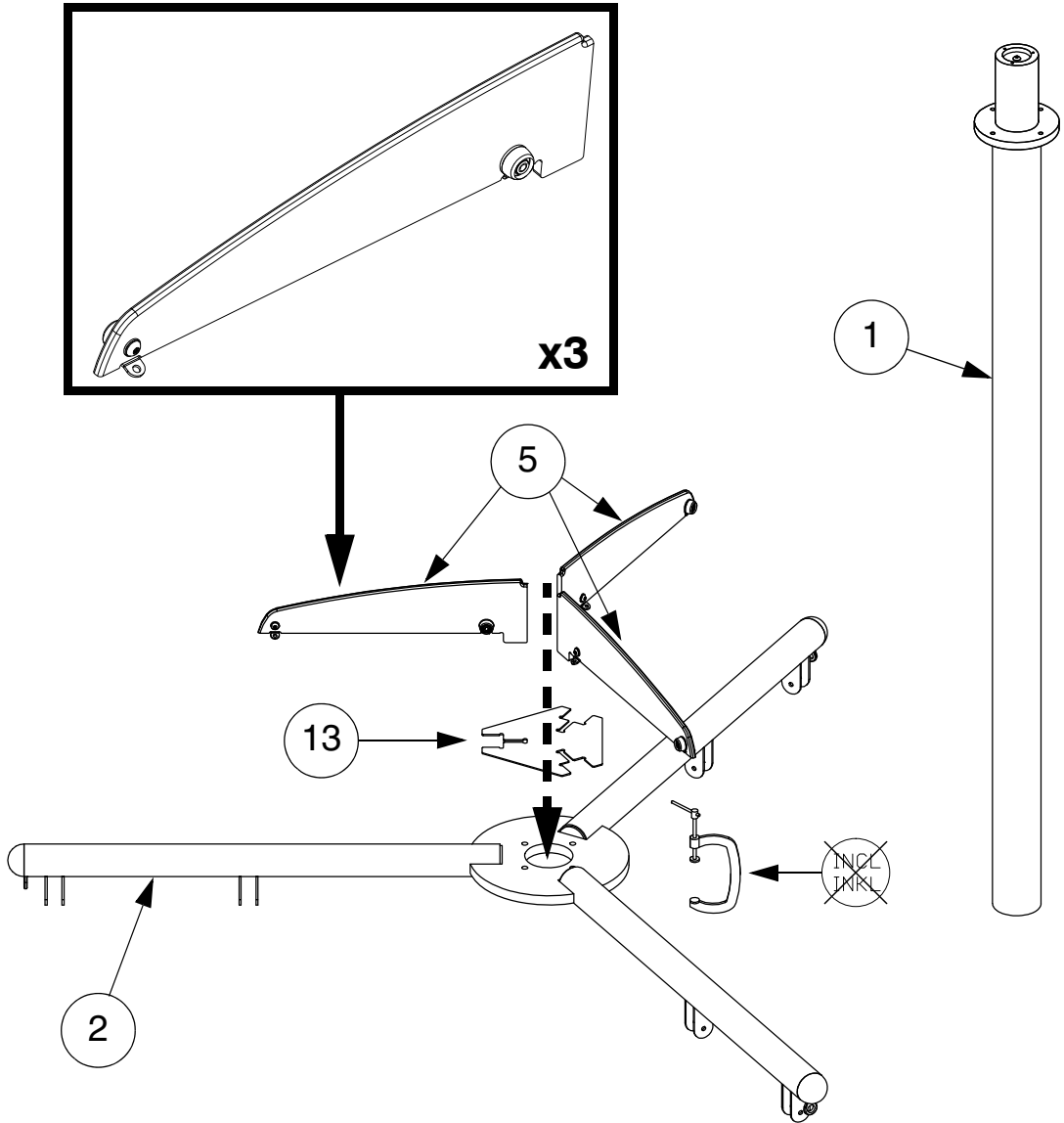
## STEP 3

- H8050597
- H8050600
- H8050602
- ~~\* V-8050594~~
- ~~\* 8051738~~
- ~~\* V-8050601~~
- ~~\* 8051740~~



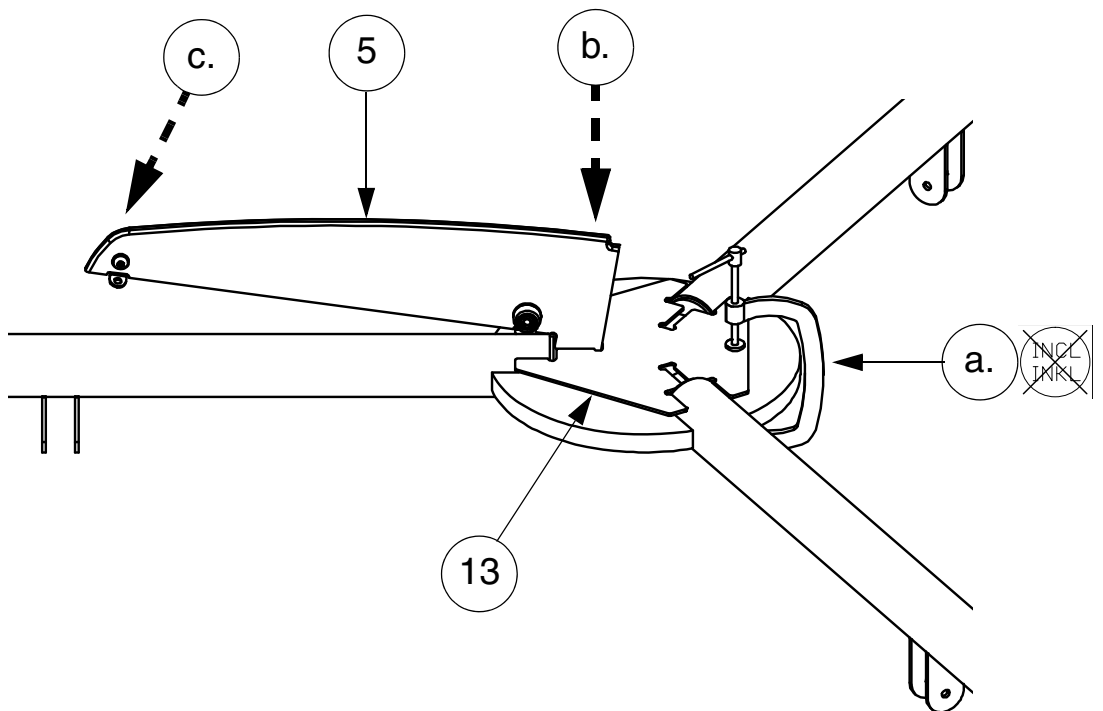
### STEP 4a

- H8050597
- H8050600
- H8050602
- ~~\* V-8050594~~
- ~~\* 8051738~~
- ~~\* V-8050601~~
- ~~\* 8051740~~



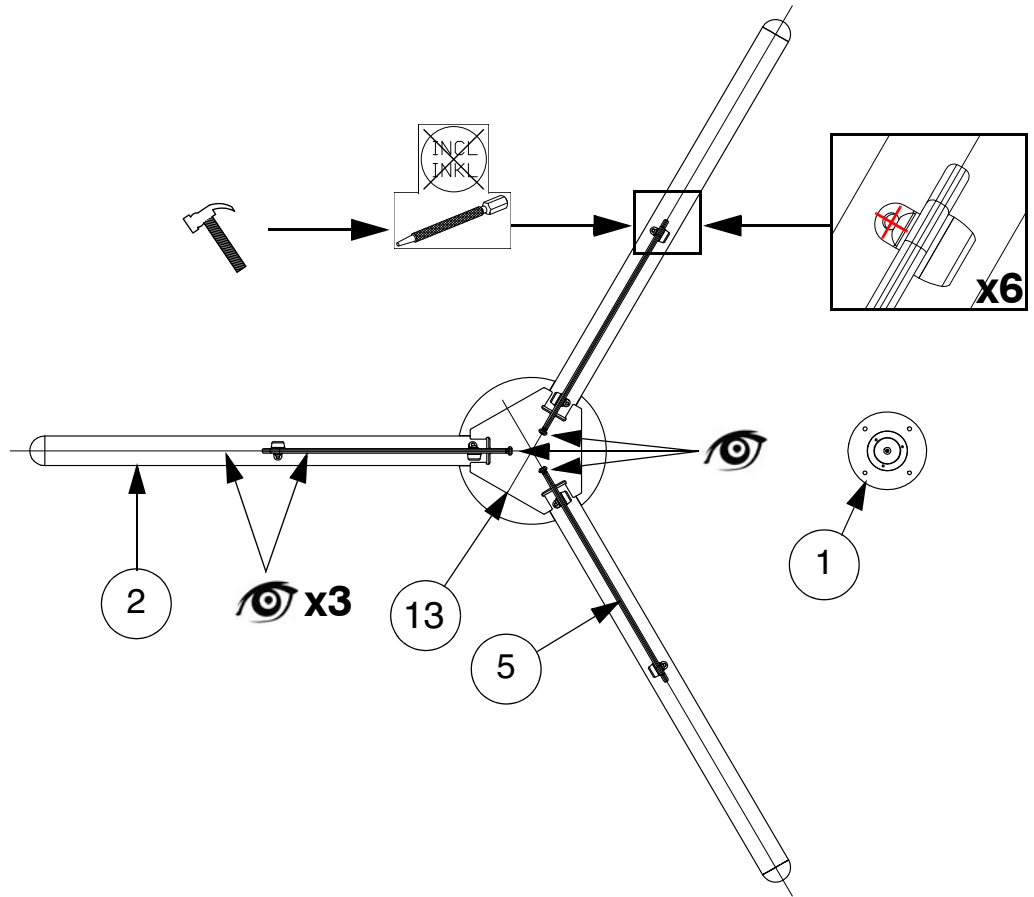
### STEP 4b

- H8050597
- H8050600
- H8050602
- ~~\* V-8050594~~
- ~~\* 8051738~~
- ~~\* V-8050601~~
- ~~\* 8051740~~



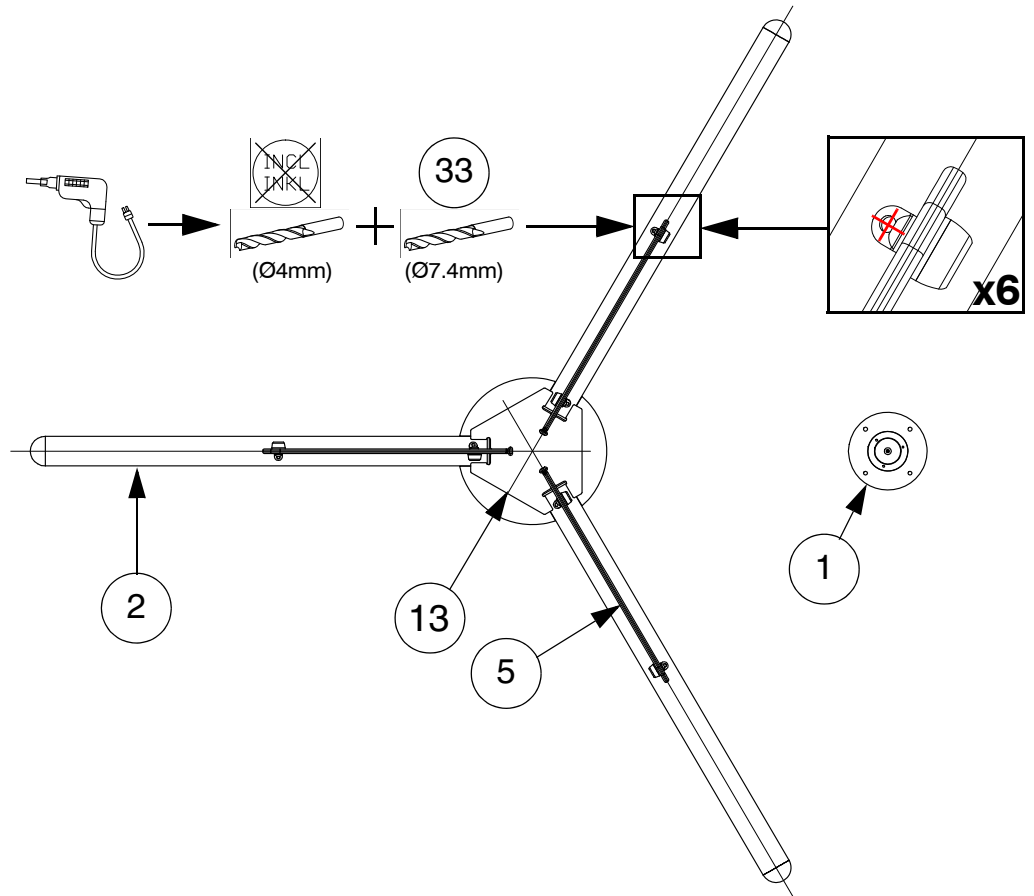
### STEP 5

- H8050597
- H8050600
- H8050602
- ~~\* V-8050594~~
- ~~\* 8051738~~
- ~~\* V-8050601~~
- ~~\* 8051740~~



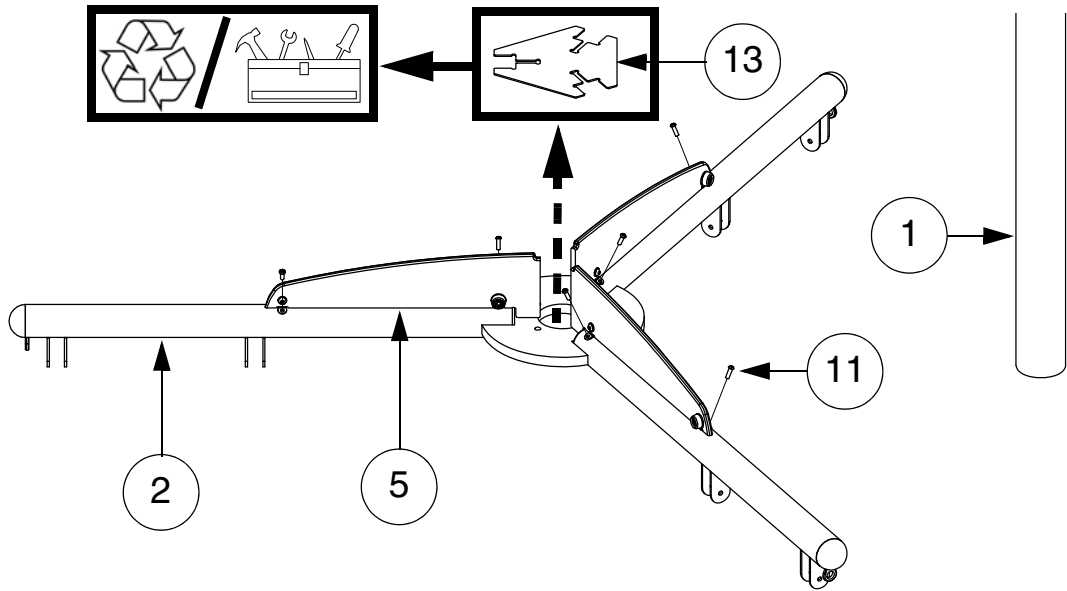
### STEP 6

- H8050597
- H8050600
- H8050602
- ~~\* V-8050594~~
- ~~\* 8051738~~
- ~~\* V-8050601~~
- ~~\* 8051740~~



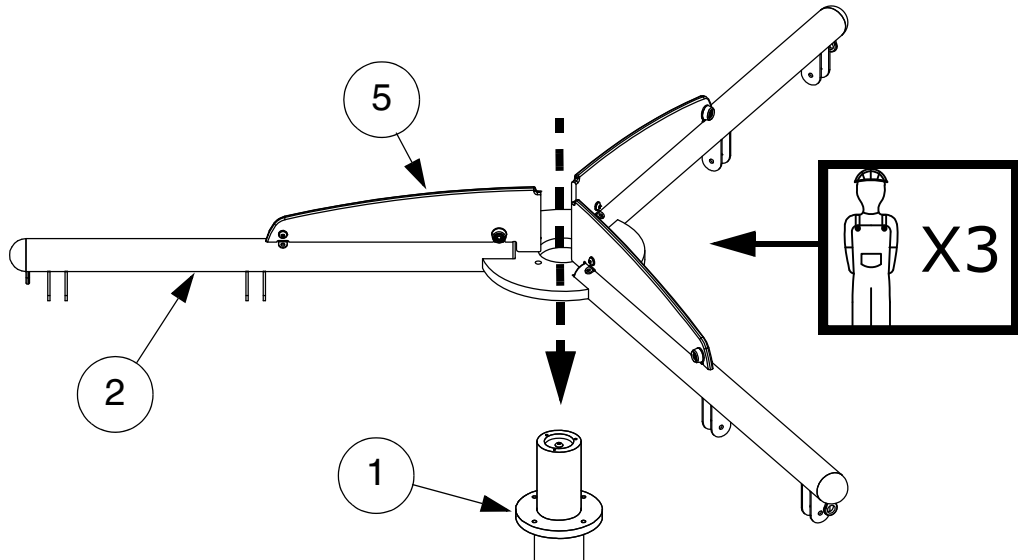
### STEP 7

- H8050597
- H8050600
- H8050602
- ~~\* V-8050594~~
- ~~\* 8051738~~
- ~~\* V-8050601~~
- ~~\* 8051740~~



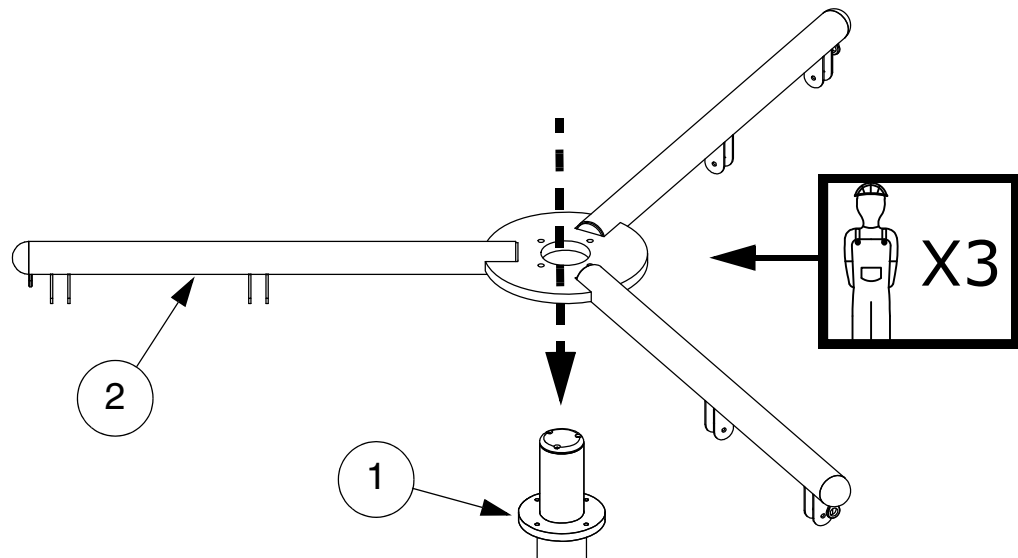
### STEP 8a

- H8050597
- H8050600
- H8050602



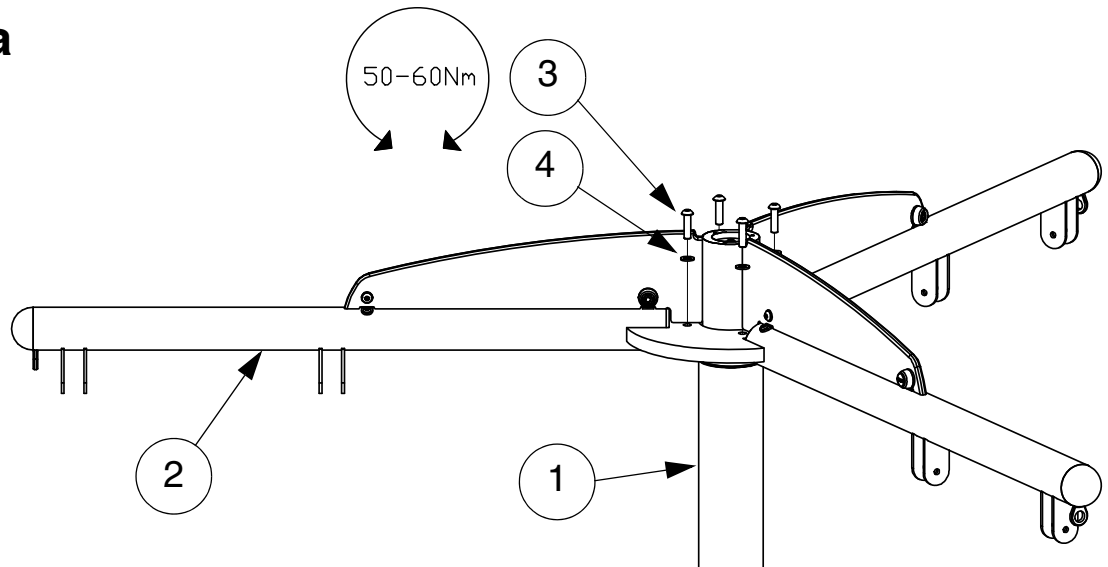
### STEP 8b

- V-8050594
- 8051738
- V-8050601
- 8051740



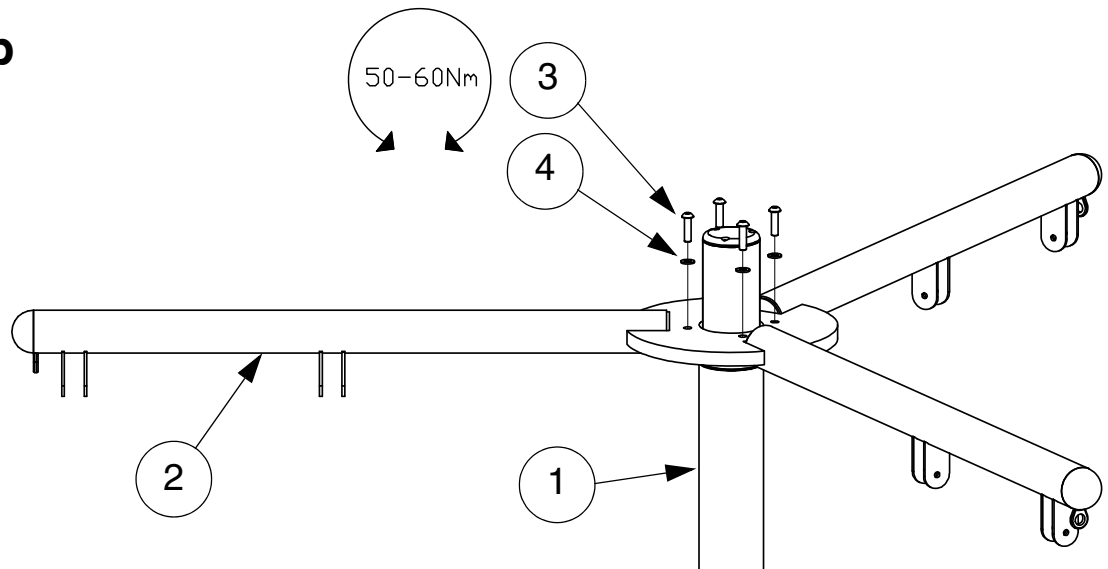
**STEP 9a**

H8050597  
H8050600  
H8050602



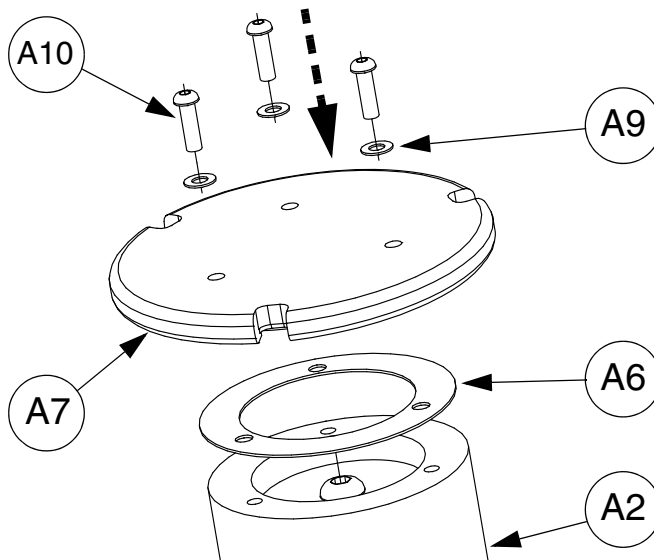
**STEP 9b**

V-8050594  
8051738  
V-8050601  
8051740



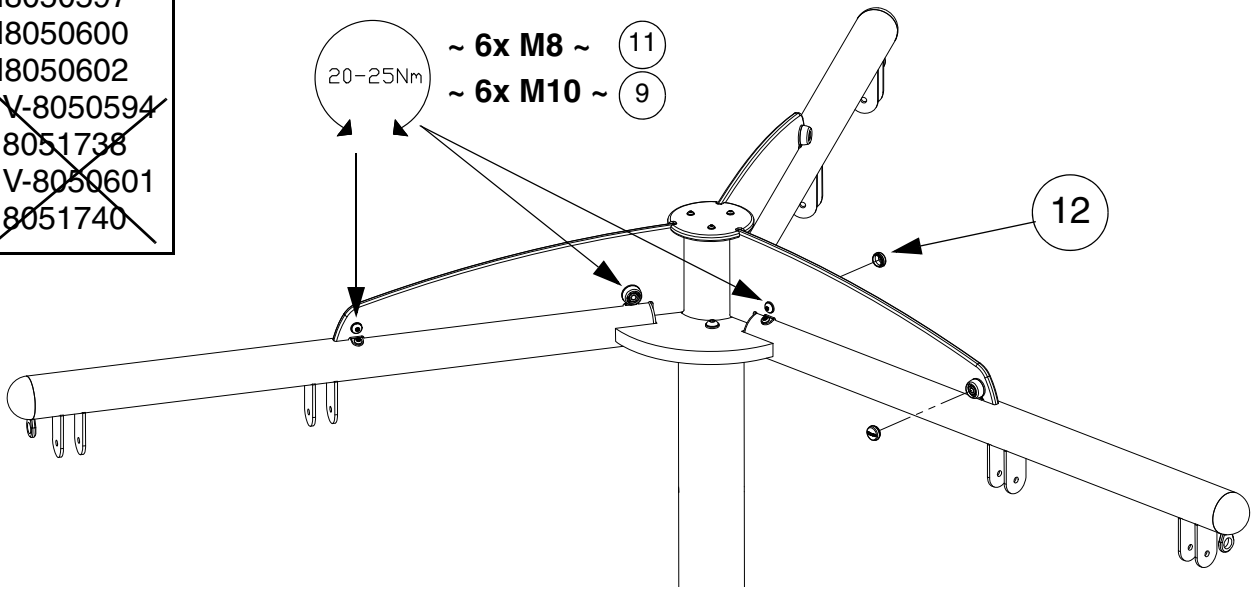
**STEP 10**

H8050597  
H8050600  
H8050602  
~~\* V-8050594~~  
~~\* 8051738~~  
~~\* V-8050601~~  
~~\* 8051740~~



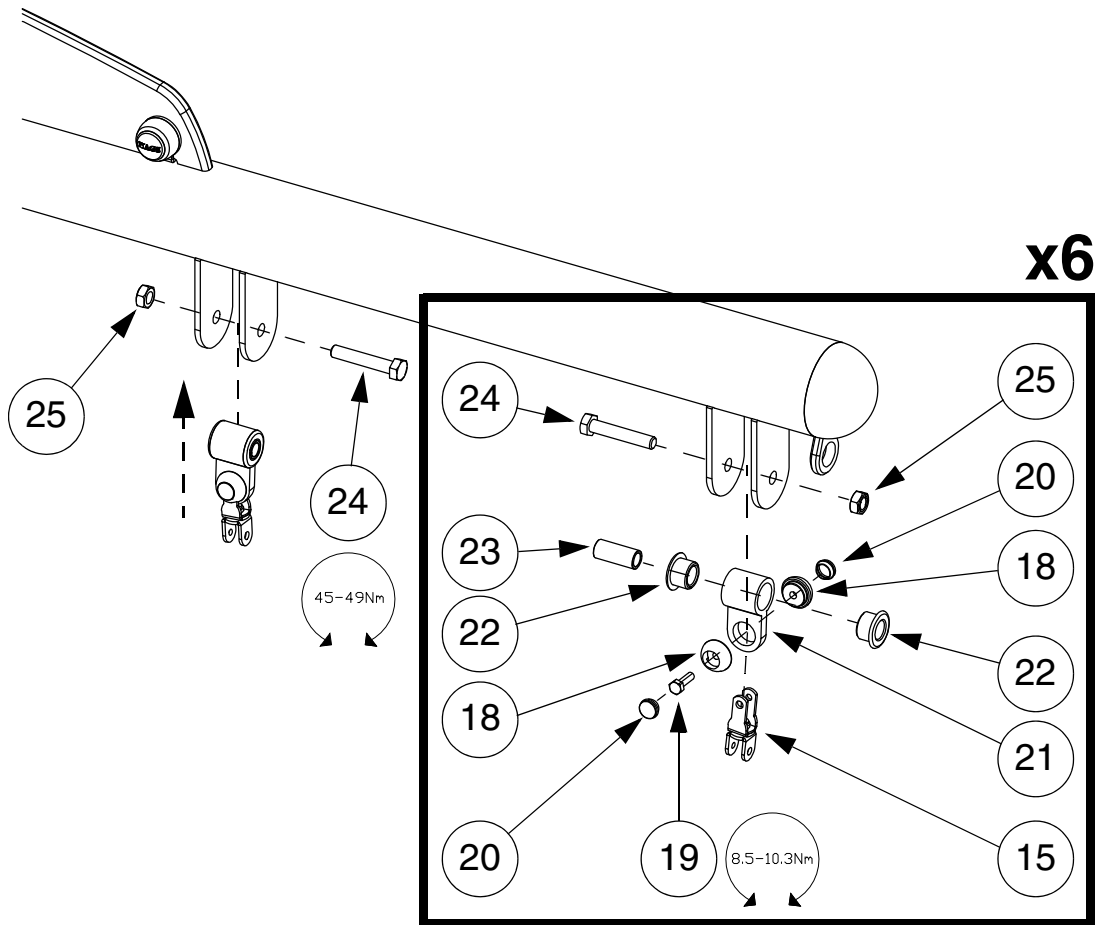
# STEP 11

- H8050597
- H8050600
- H8050602
- ~~\* V-8050594~~
- ~~\* 8051738~~
- ~~\* V-8050601~~
- ~~\* 8051740~~



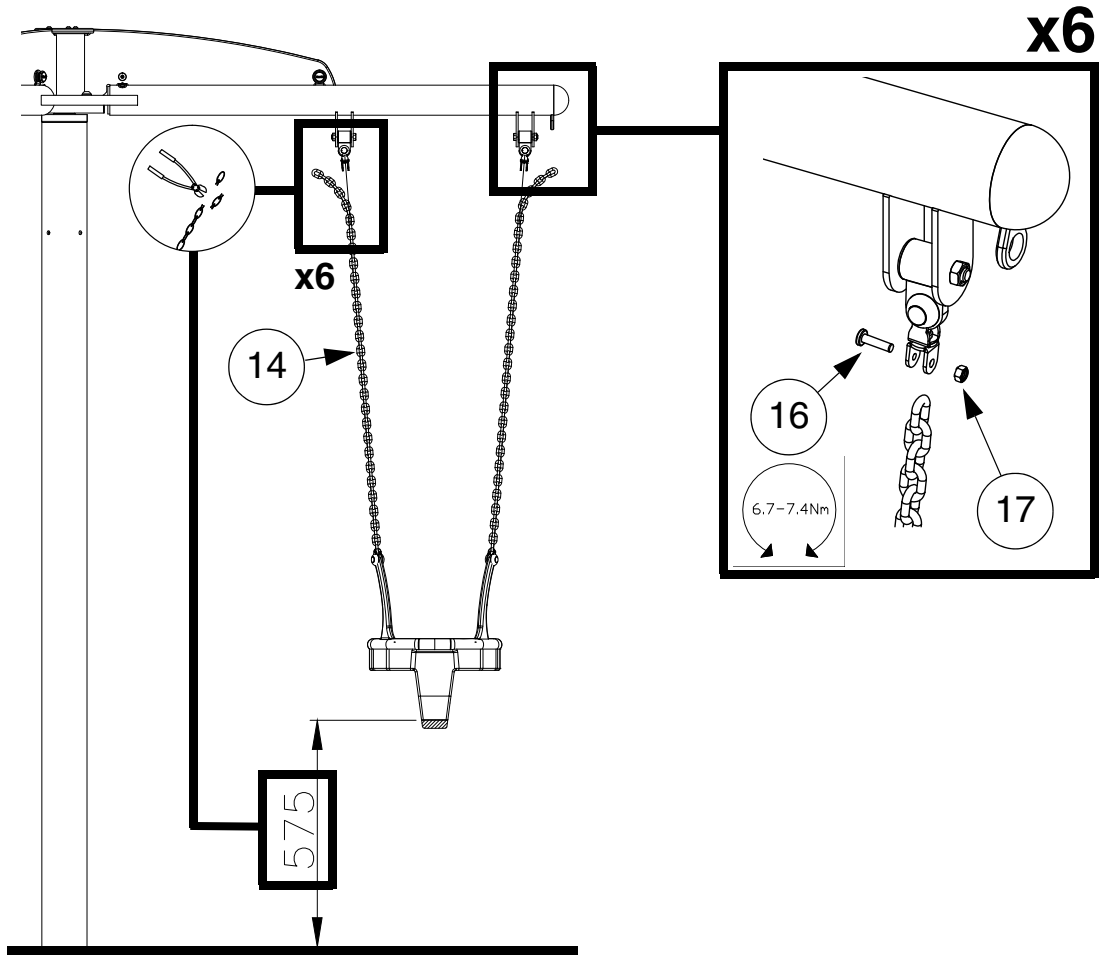
# STEP 12

- H8050597
- H8050600
- H8050602
- V-8050594
- 8051738
- V-8050601
- 8051740



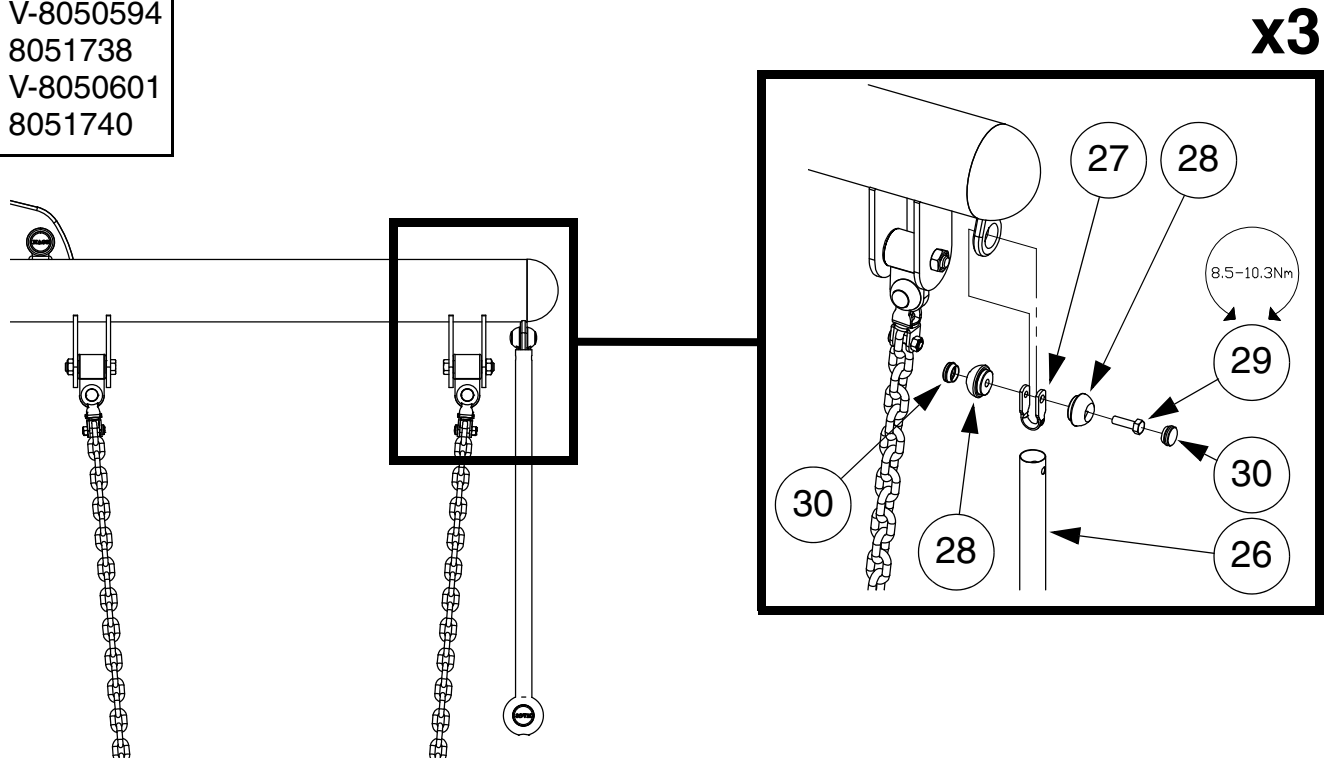
### STEP 13

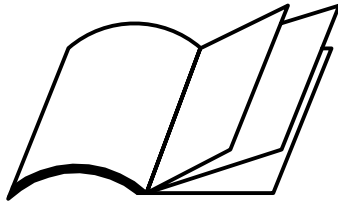
- H8050597
- H8050600
- H8050602
- V-8050594
- 8051738
- V-8050601
- 8051740



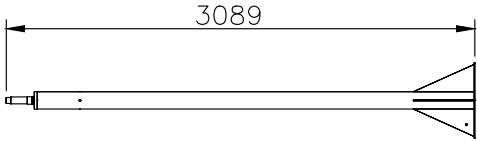
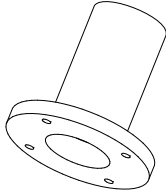
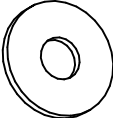

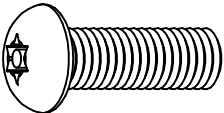
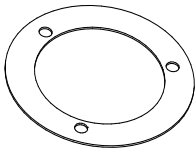
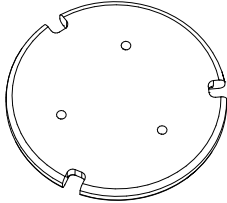
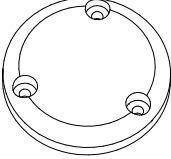
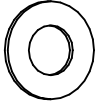
### STEP 14



- H8050597
- H8050600
- H8050602
- V-8050594
- 8051738
- V-8050601
- 8051740



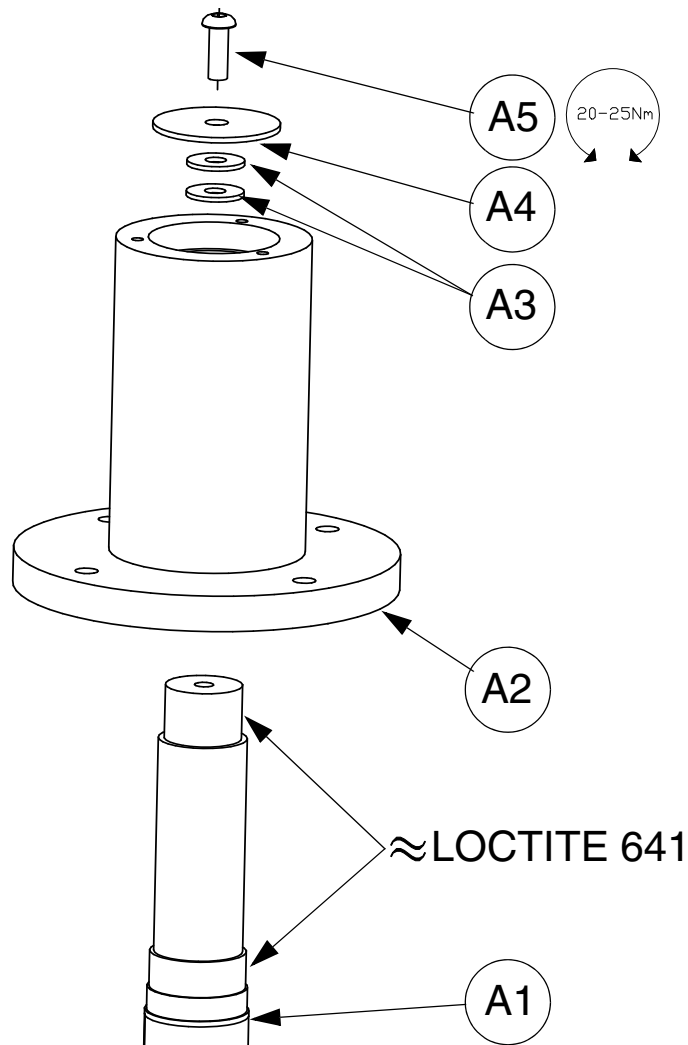


## Appendix A:

ITEM	REF		71601003	71000104	kg
A1	71000901		1	1	74.26
A2	71000101		1	1	11.000
A3	10309999	 M10 11X30X2.5	2	2	0.011
A4	71000109		1	1	0.080
A5	10121030	 M10 X 30	1	1	0.030
A6	71022209		1	1	0.005
A7	8050561		1		0.028
A8	71000108			1	0.035
A9	10290600	 M6 6.4X12.6X1	3	3	0.001

ITEM	REF		71601003	71000104	kg
A10	10120625	 M6 X 25	3		0.013
A11	10120620	 M6 X 20		3	0.013

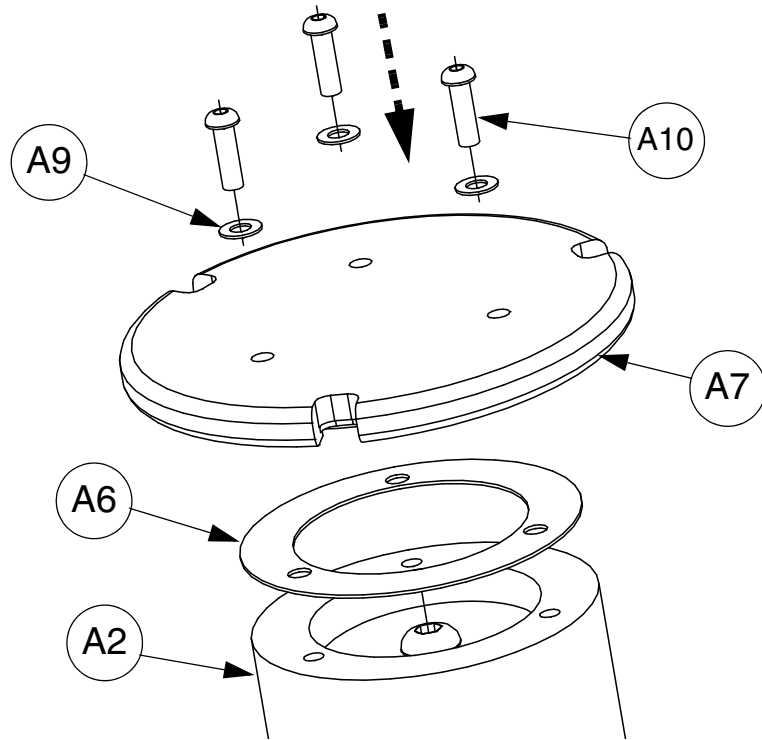
## STEP 1



### STEP 2a

Ref: 71601003

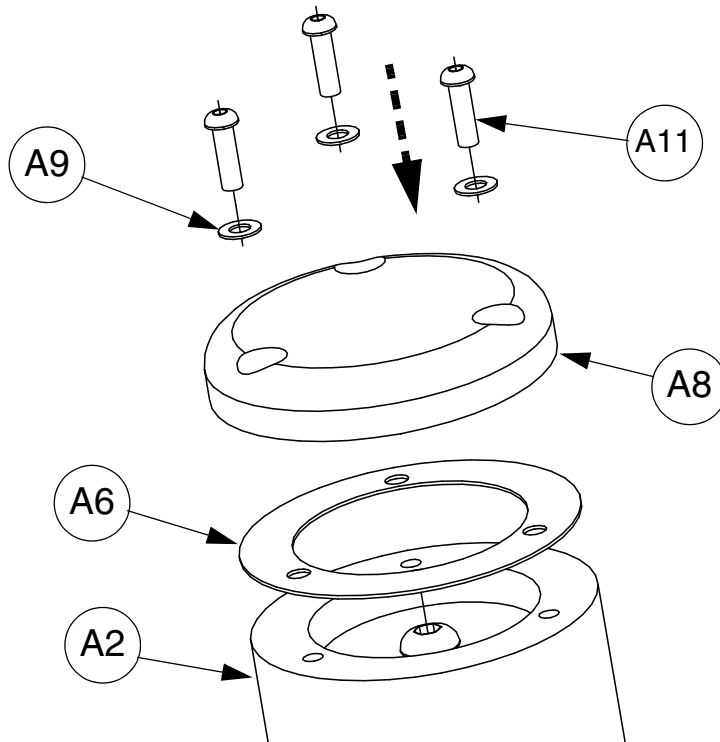
H8050597  
H8050600  
H8050602

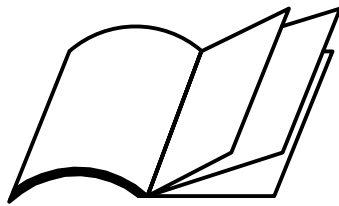


### STEP 2b

Ref: 71000104

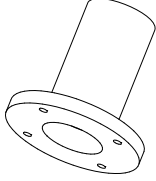

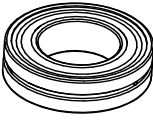

V-8050594  
8051738  
V-8050601  
8051740

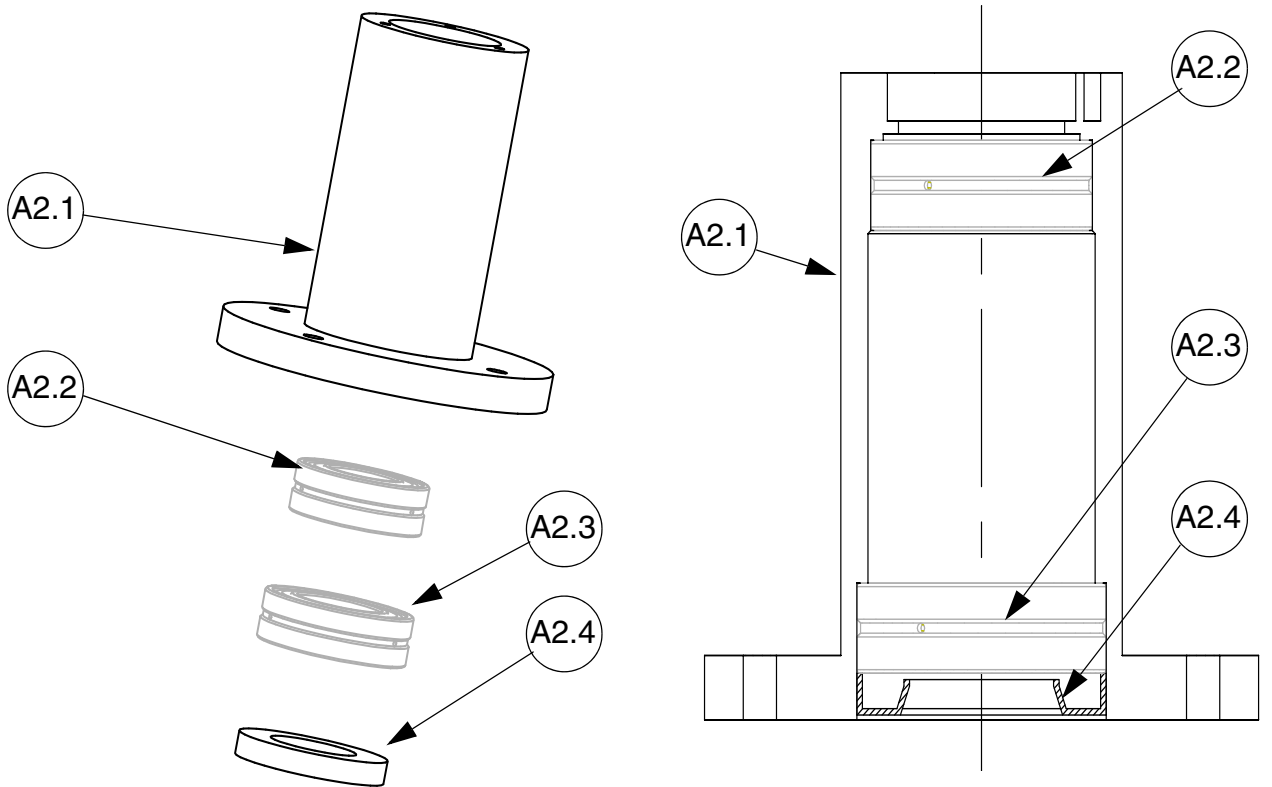


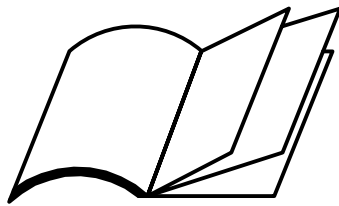


**Appendix B:**

**REF 71000101**

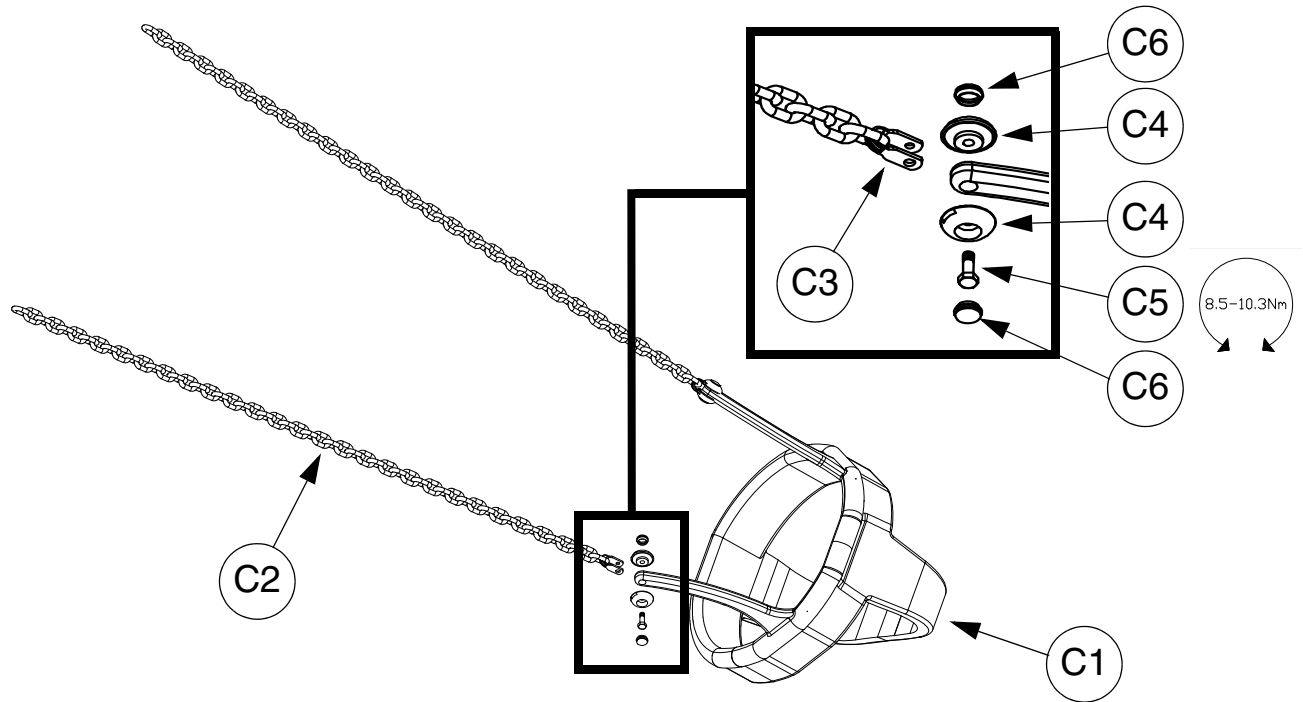
ITEM	REF		QTY.	kg
A2.1	71000105		1	10.100
A2.2	71022208		1	0.60
A2.3	71022210		1	0.70
A2.4	71000110		1	0.015



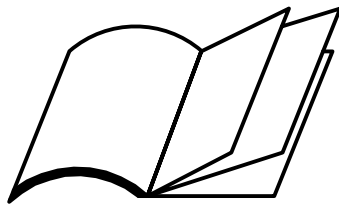


Appendix C:

Ref: 8049958

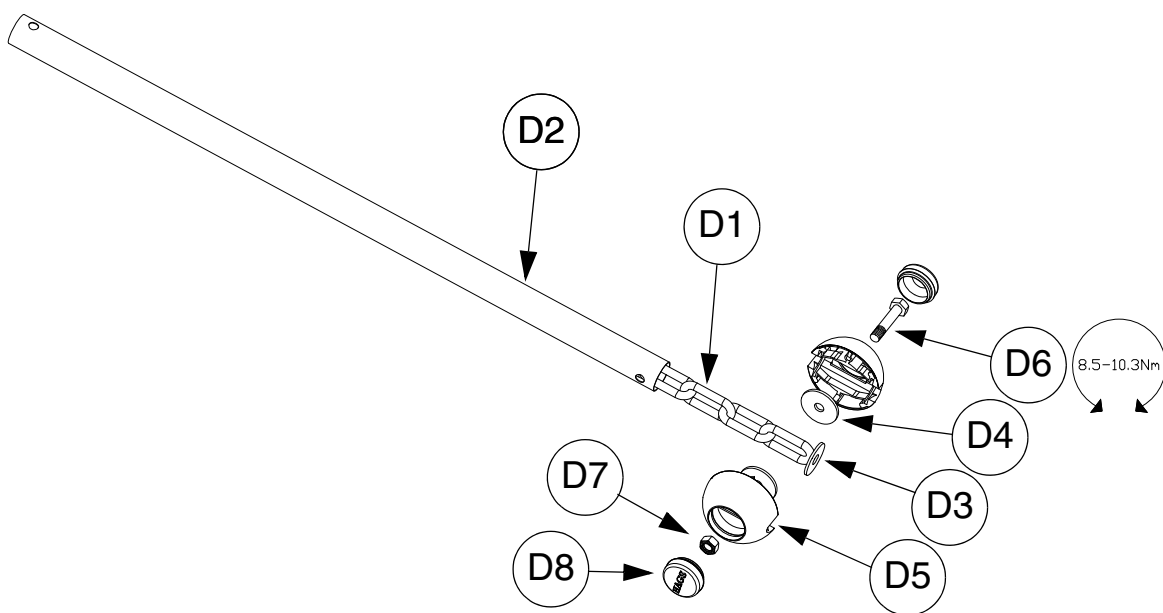


ITEM	REF		QTY	kg
C1	8002446		1	3.25
C2	8047765		2	0.76
C3	8008965		2	0.012
C4	8005970		4	0.001
C5	8008330		2	0.007
C6	8005971		4	0.001

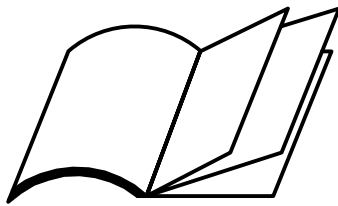


Appendix D:

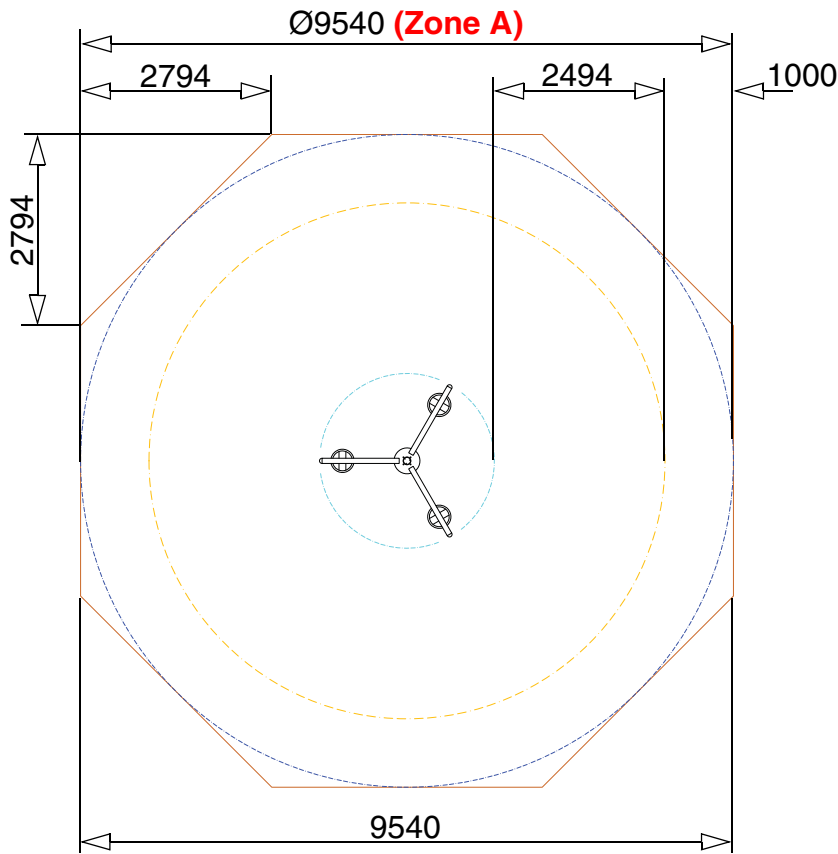
REF 8050555



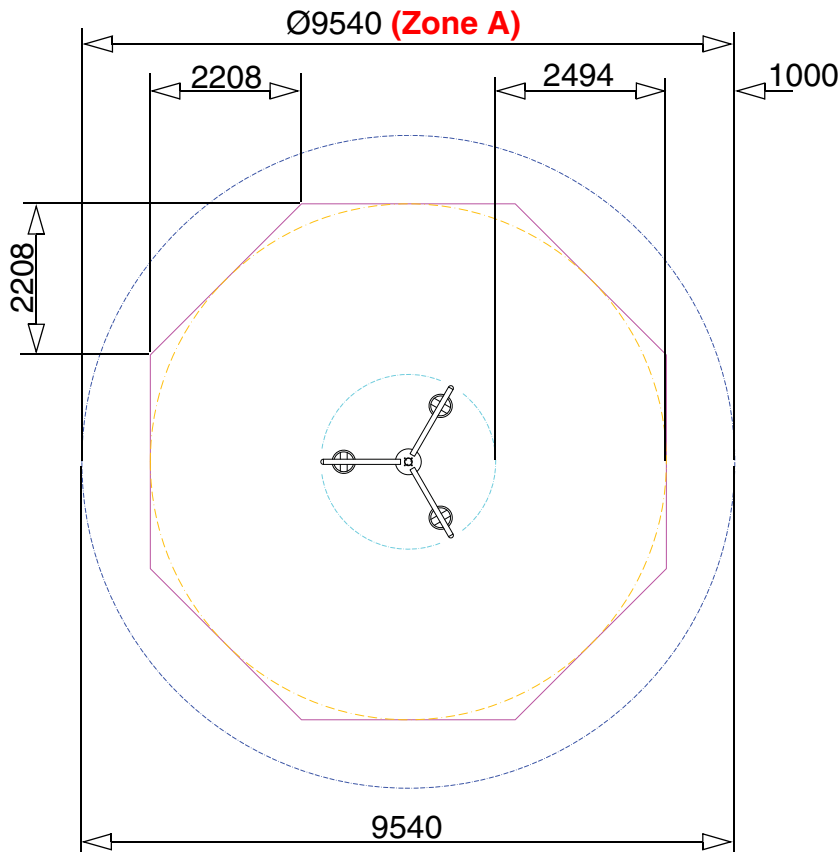
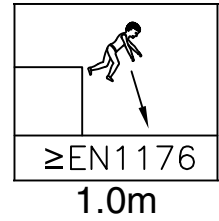
ITEM	REF		QTY	kg
D1	0,4580x 8004804		1	0.20
D2	0,4580x 8004834		1	0.02
D3	8008827		1	0.007
D4	8008855		2	0.004
D5	8005554		2	0.007
D6	8008334		1	0.010
D7	8008785		1	0.003
D8	8005963		2	0.003



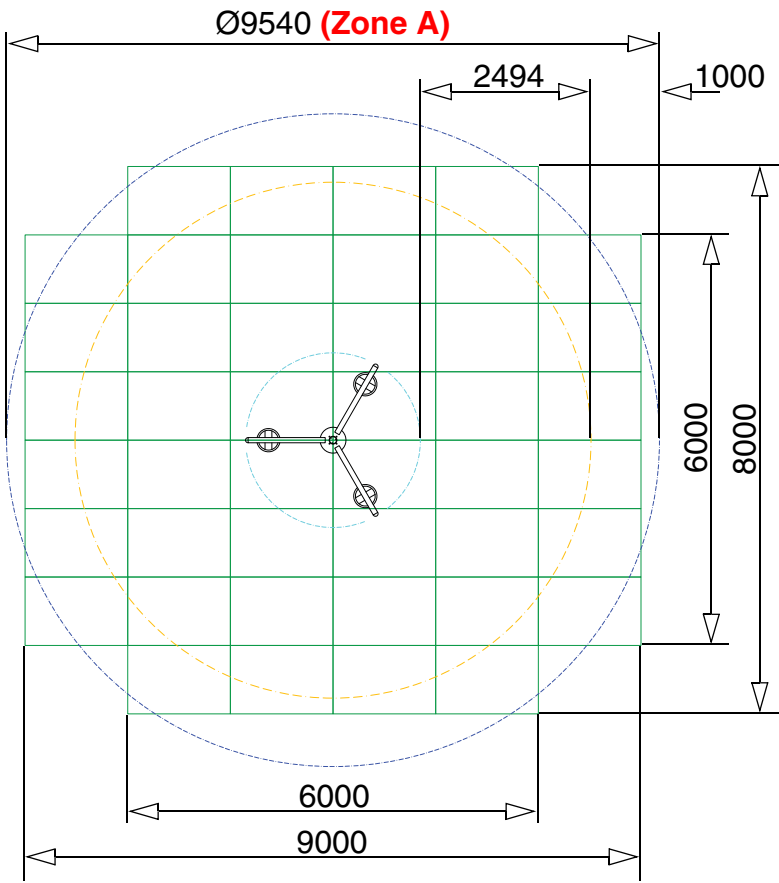
Appendix E:



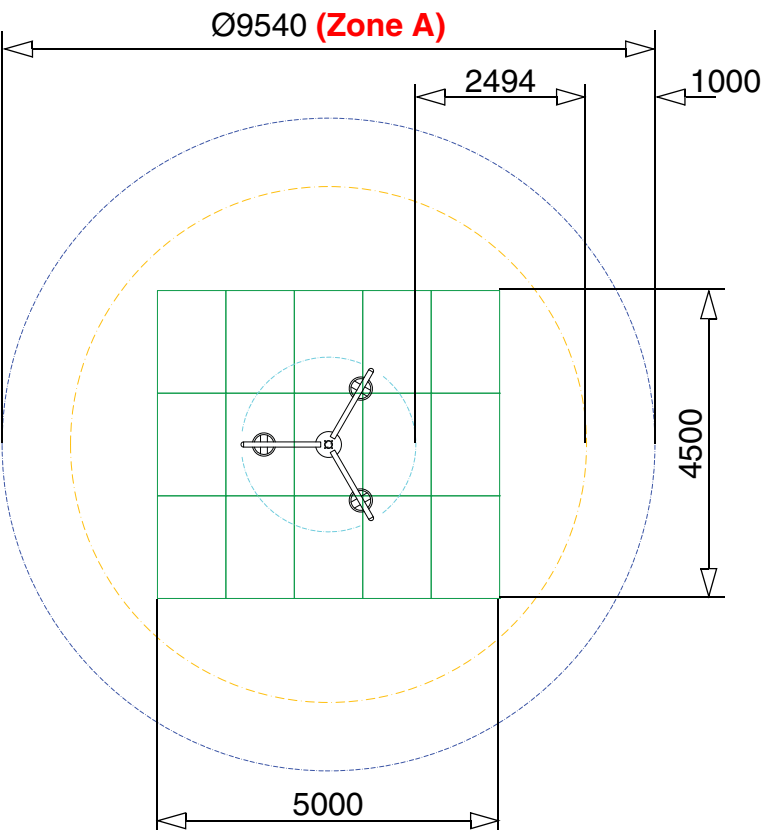
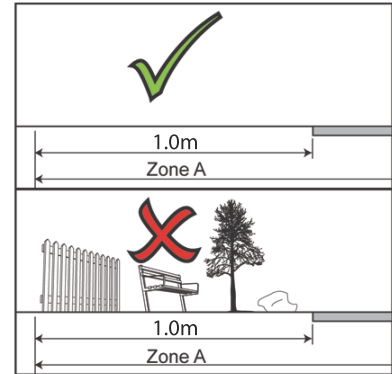
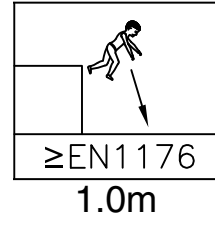
TYPE 1/2  144



TYPE 3  144



TYPE 5 



TYPE 5 - WEAR AREA 

