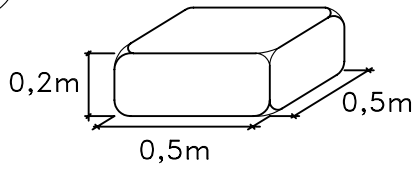
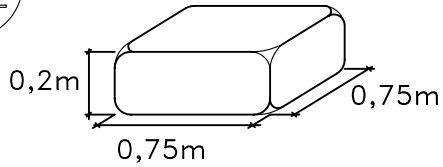


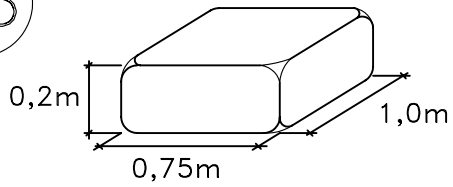
C1



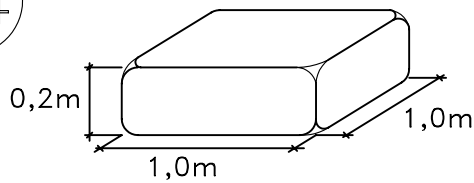
C2



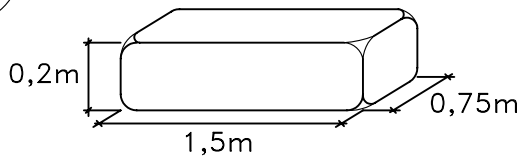
C3



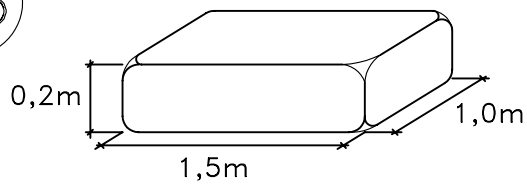
C4



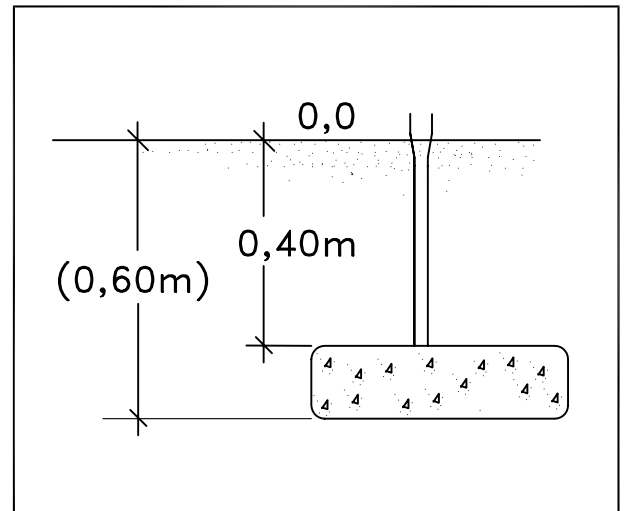
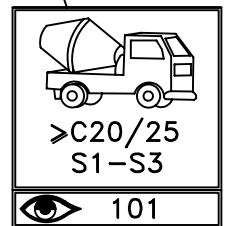
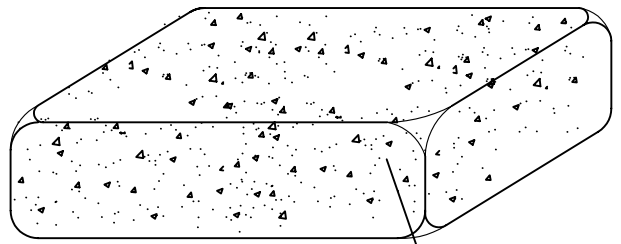
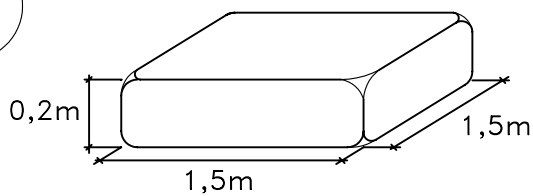
C5





C6

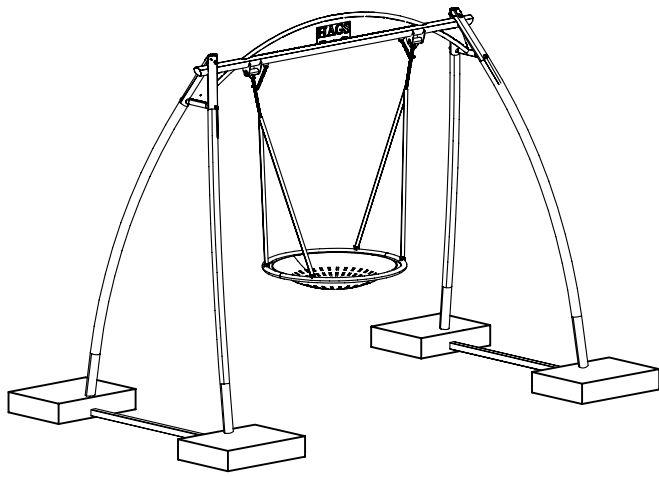


C7

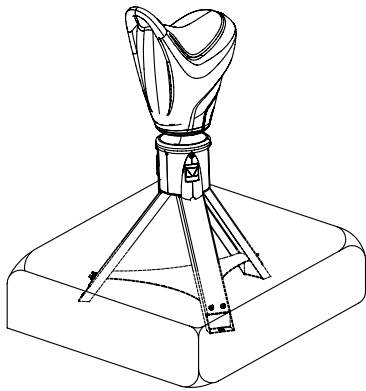
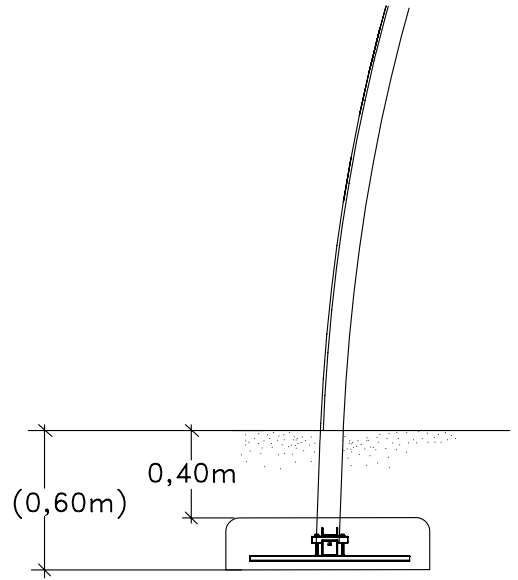


<b>HAGS</b>		ANEBY, SWEDEN	
		+46(0)380-47300	
		www.hags.com	
Concrete size			
103			
1(2)			
	TJ	 NN	2009-10-09   0

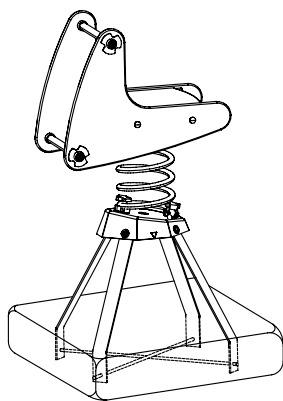
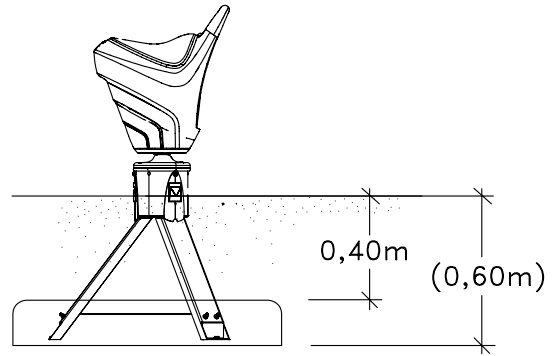
(EX)



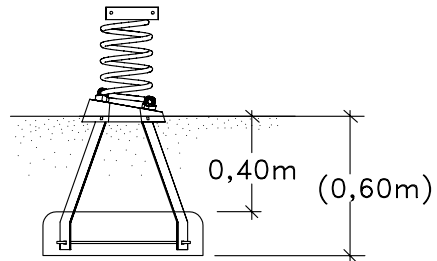
(Type C4) x4



(Type C7)



(Type C4)



<b>HAGS</b>		ANEBY, SWEDEN	
		+46(0)380-47300	
		www.hags.com	
Concrete size			
103			
2(2)			
	TJ		NN 2009-10-09 0