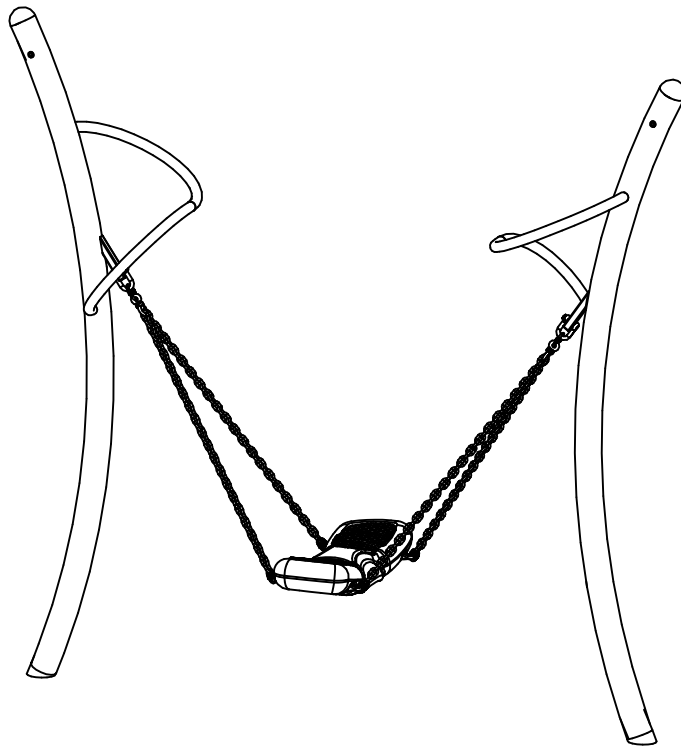
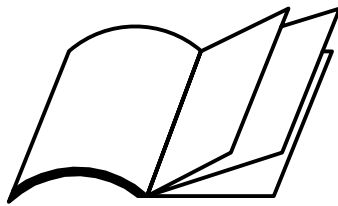
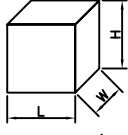
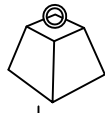

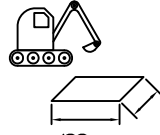
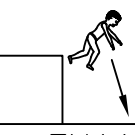



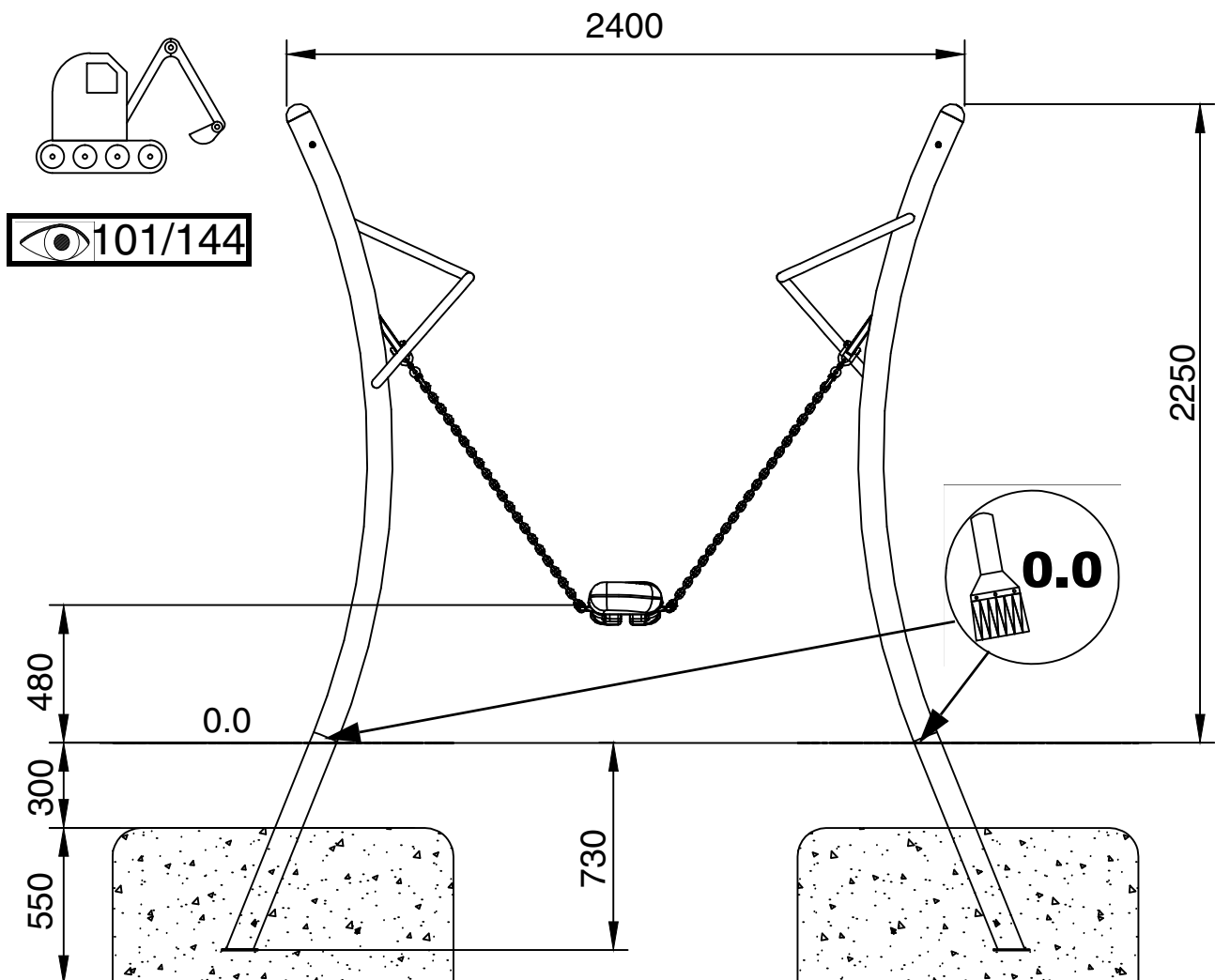
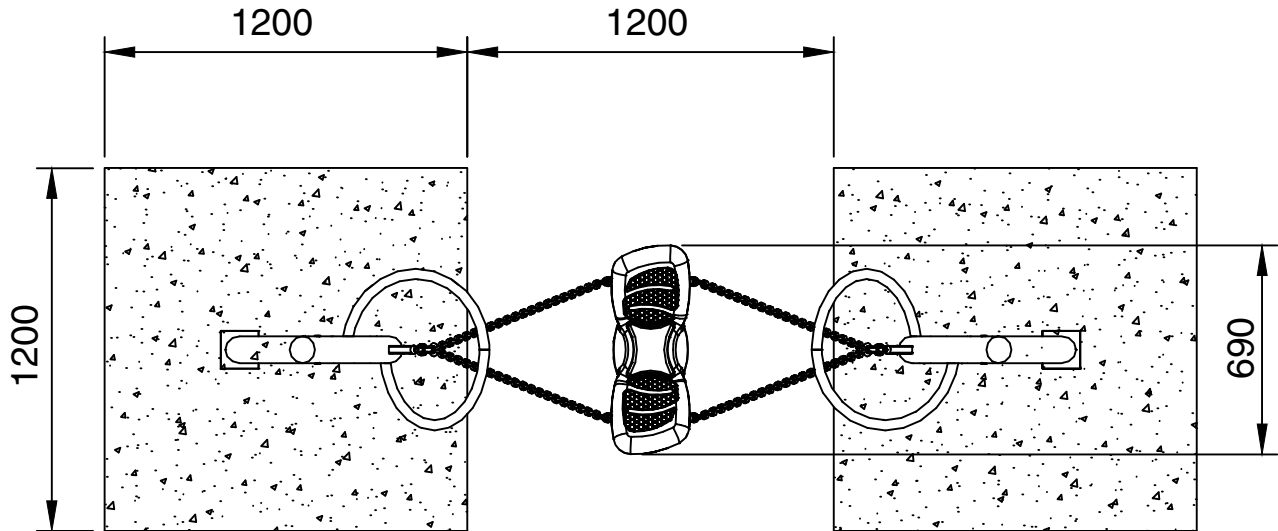
HAGS

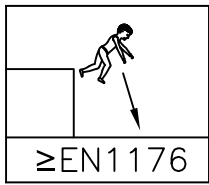
NEXUS FREERIDE NXFRR NXFRR(H) NXFRR(HS)





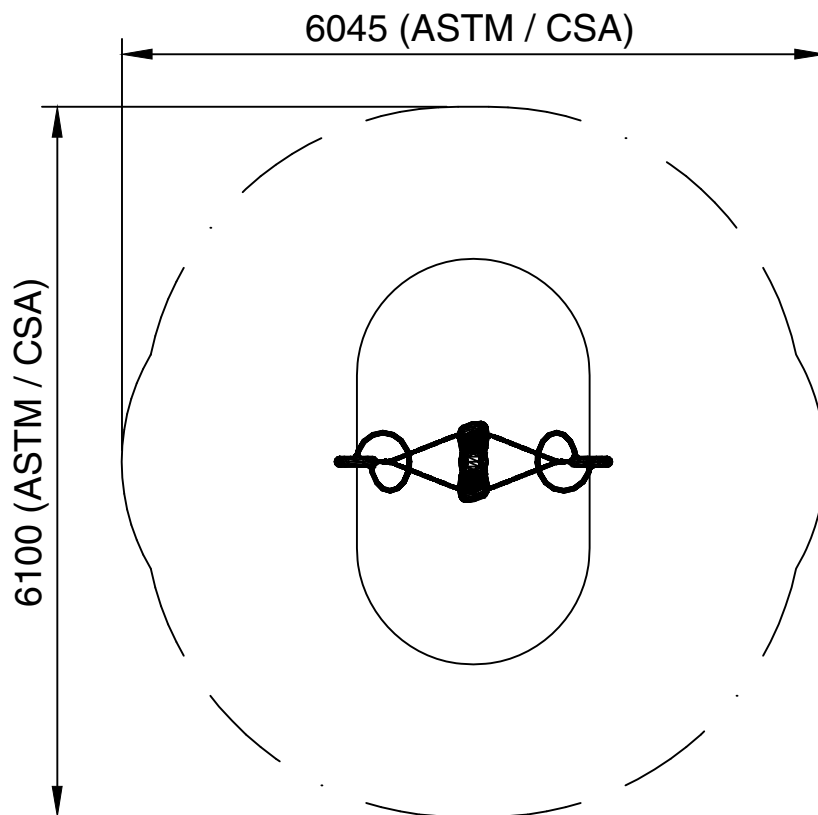
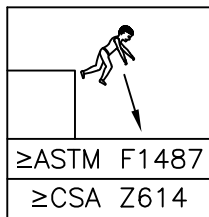
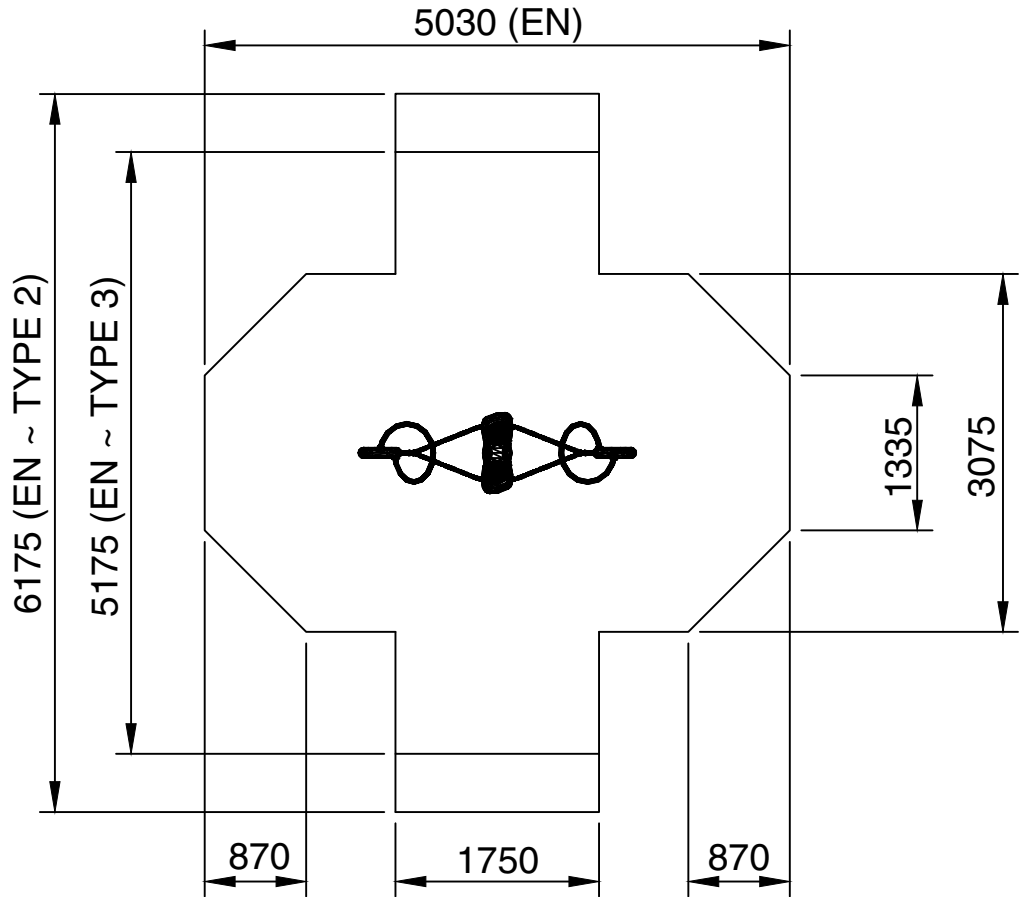
						
	LxWxH (m)	kg	m ³	m	≥EN1176	x 2 = T
NXFRR	2.40 x 0.69 x 2.25	83.0	1.59	6.00 x 5.00	1.30m	T=3h

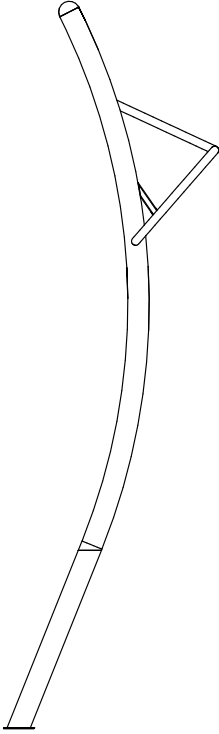
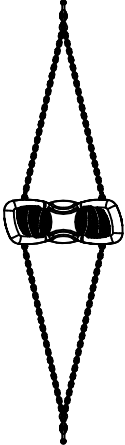
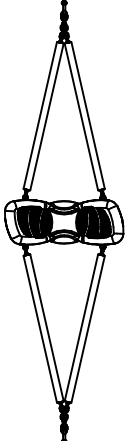
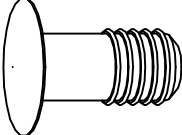


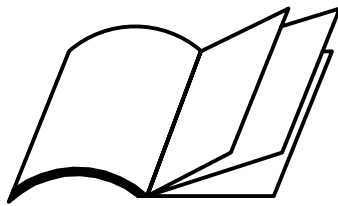


TYPE 2

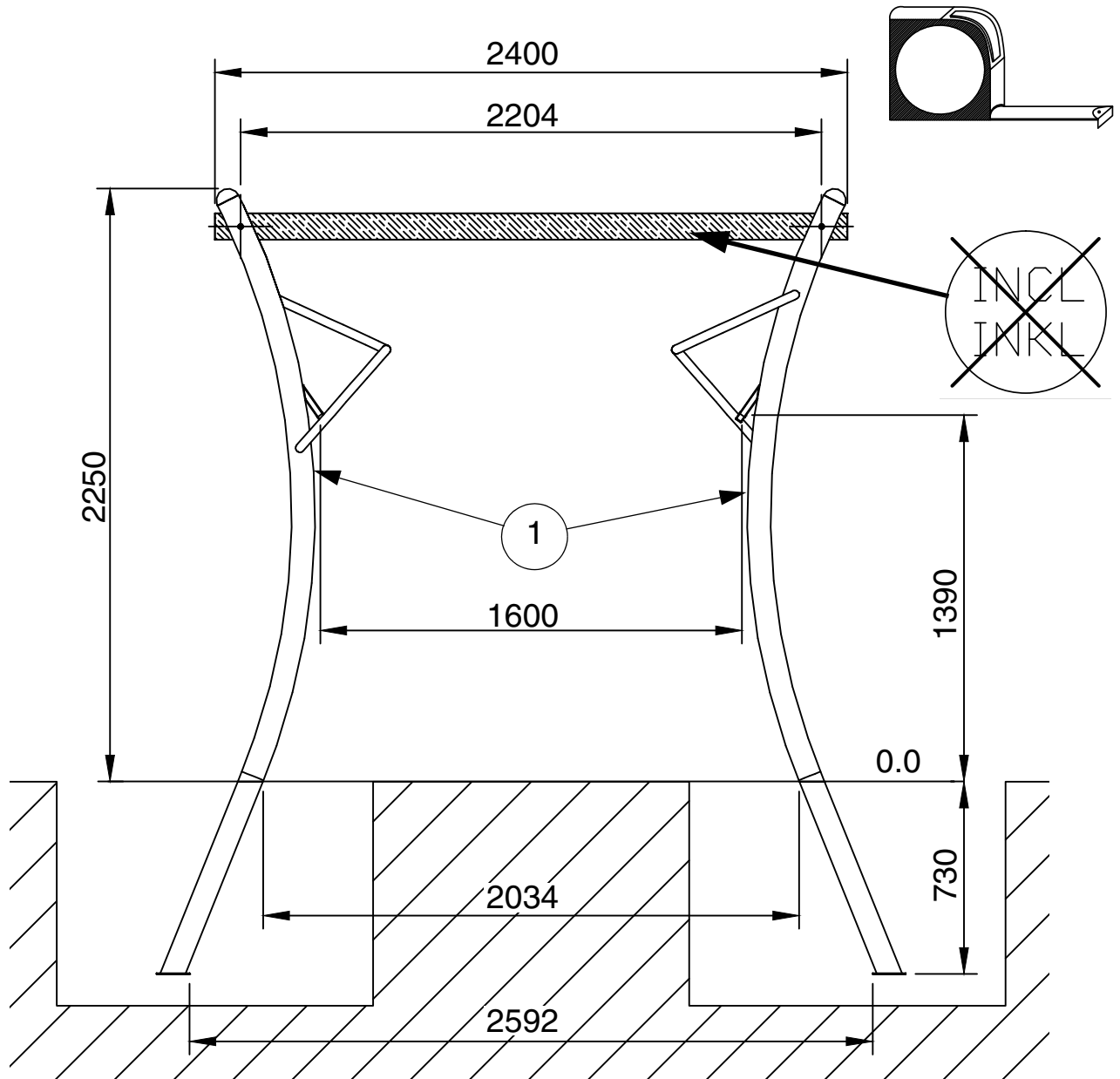
TYPE 3

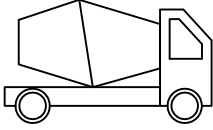




ITEM	REF.	NXFRR	NXFRR(HS)		kg
1	37000101A			2	35.00
2	37001001			1	13.00
	37001005			1	15.40
3	19024501			4	0.001

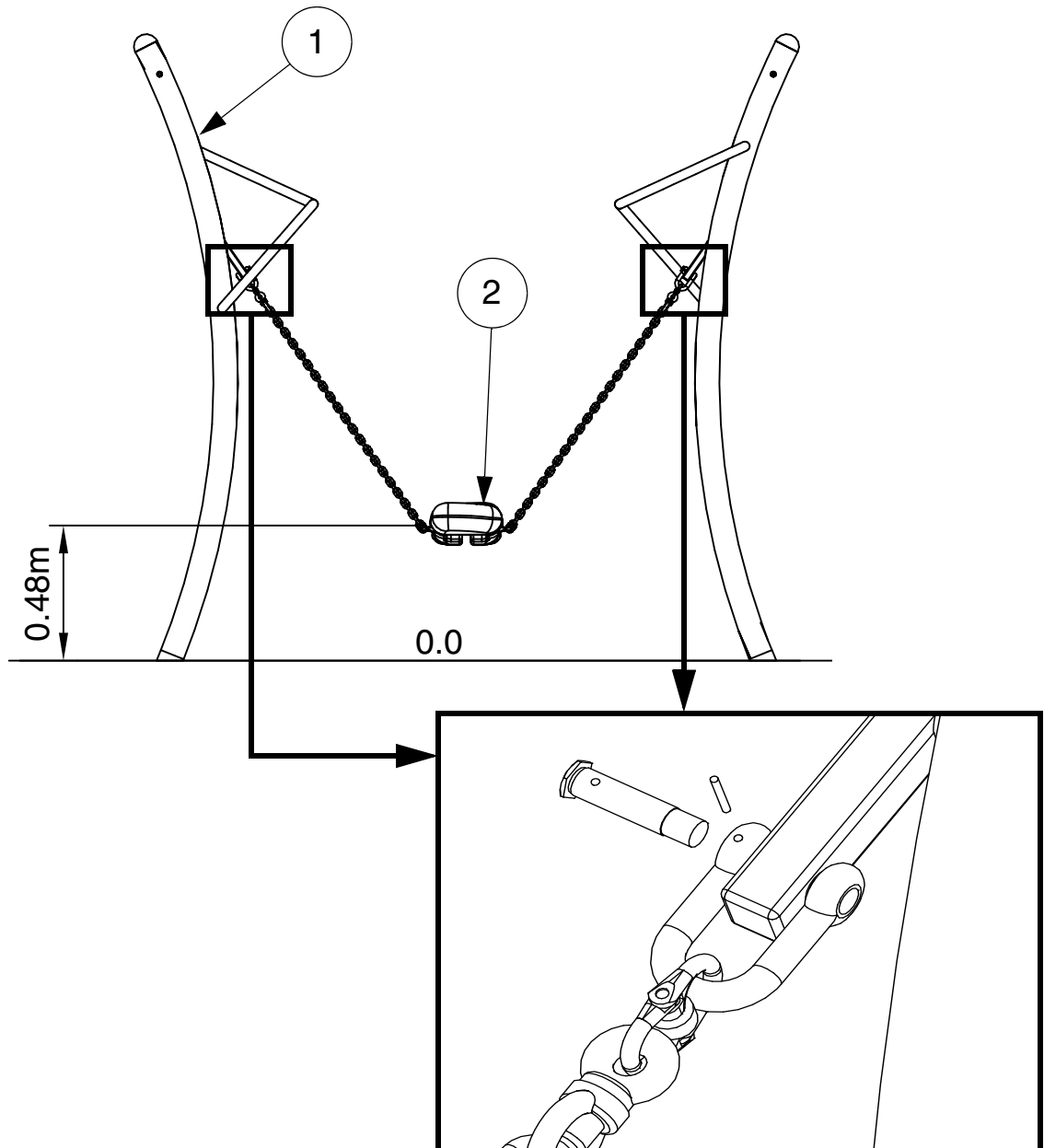


STEP 1

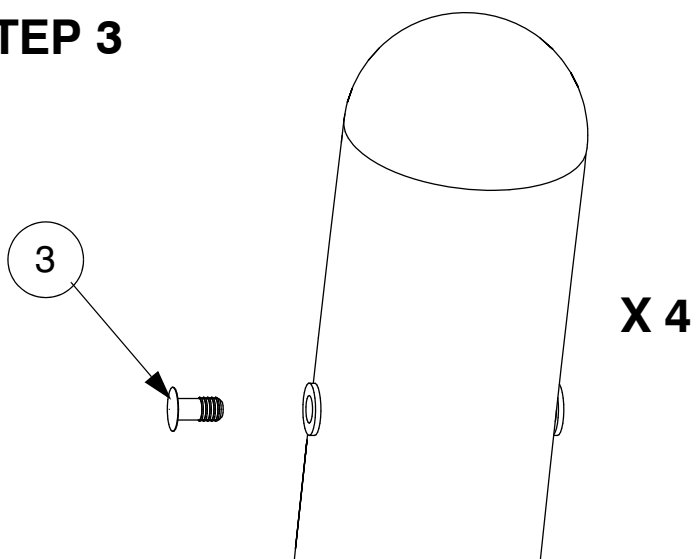


	
S2 (50mm)	
≥C20-25	
	7 x 24h
	101

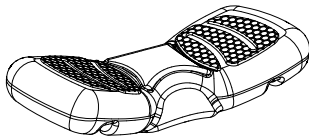
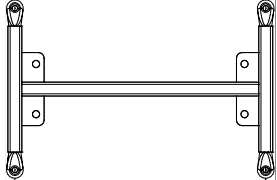
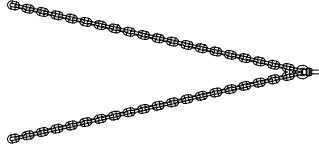

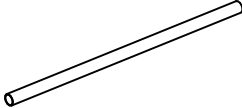
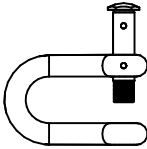

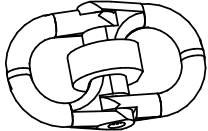
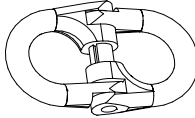
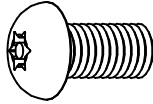
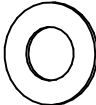
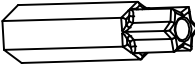
STEP 2

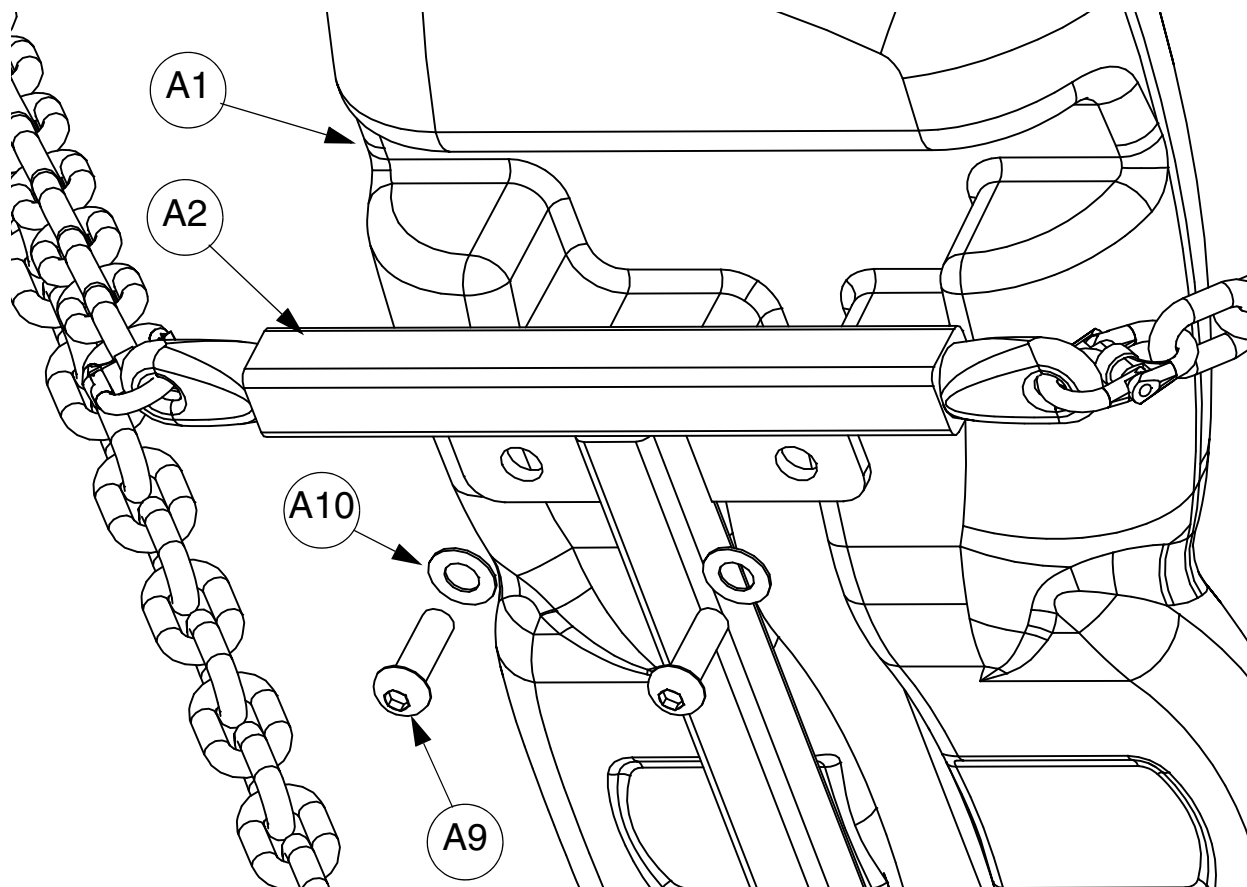


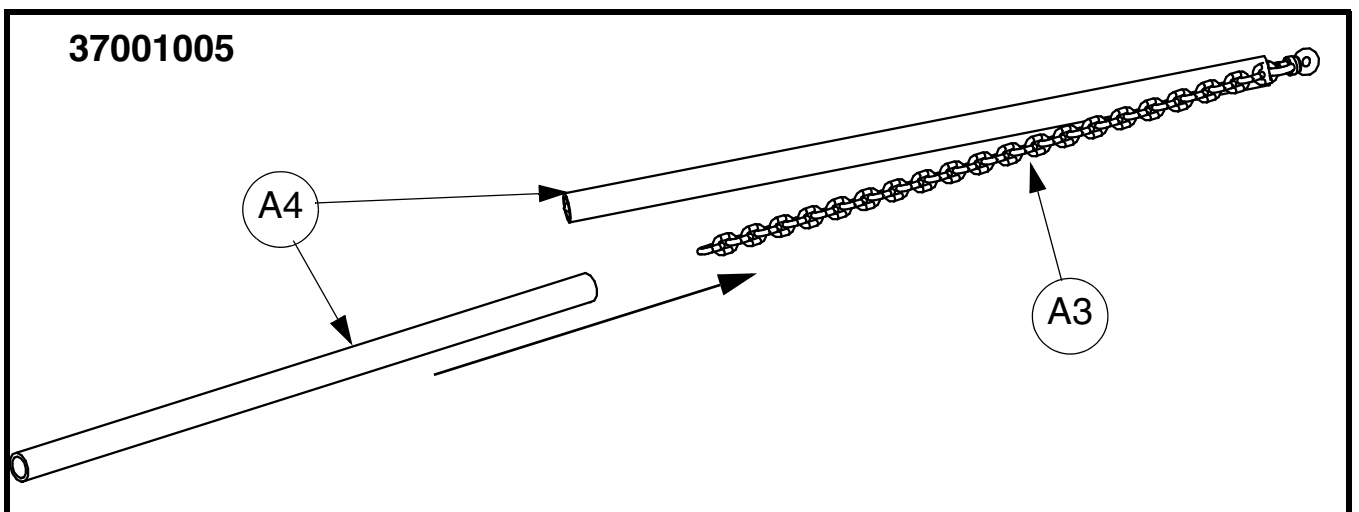
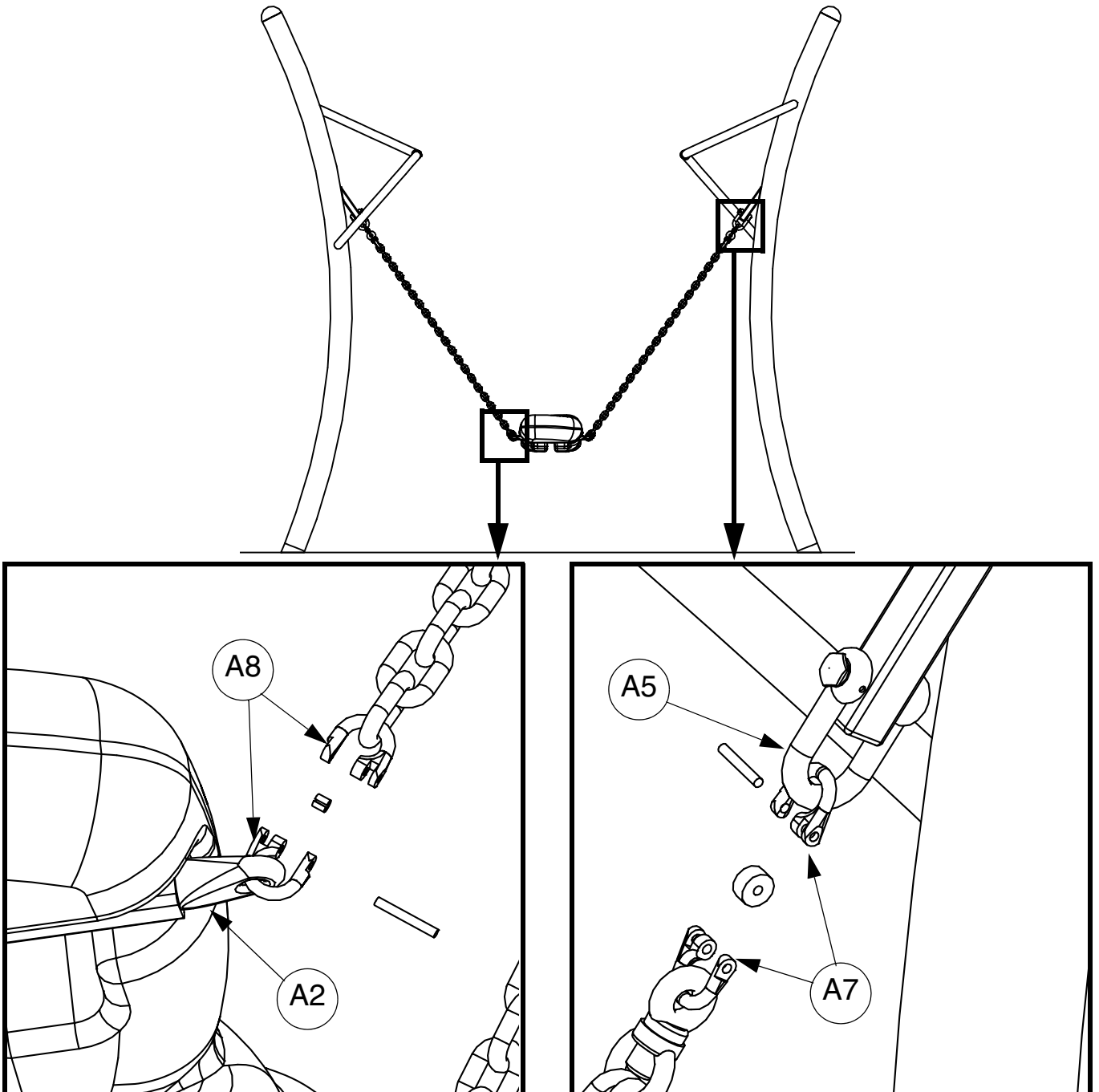
STEP 3

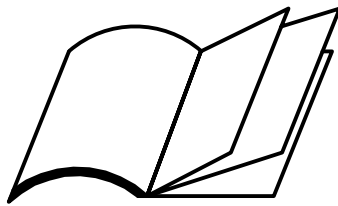


Appendix A:
REF 37001001 / 37001005

ITEM	REF	37001001	37001005	QTY.	WEIGHT (kg)
A1	37001003			1	3.000
A2	37001004			1	3.000
A3	37001002			2	3.000
A4	37001006			4	0.600
A5	88096003			2	0.250
A6	10310325			2	0.002
A7	15716000			2	0.100
A8	15715000			4	0.100
A9	10121020	 M10 X 20		4	0.020
A10	10291000	 M10 11X21X1		4	0.002
A11	10121000	 T45 M10		1	

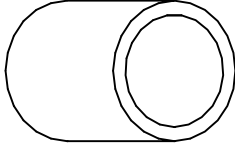
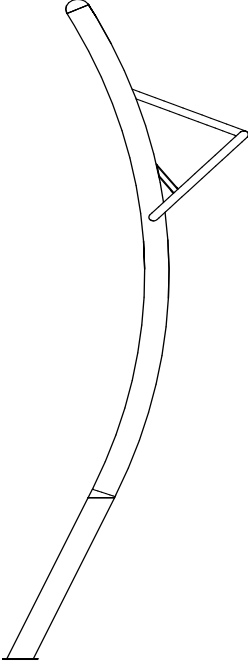






Appendix B:

REF 37000101A

ITEM	REF		QTY.	WEIGHT (kg)
B1	15011612		1	0.002
B2	37000101		1	35.00

