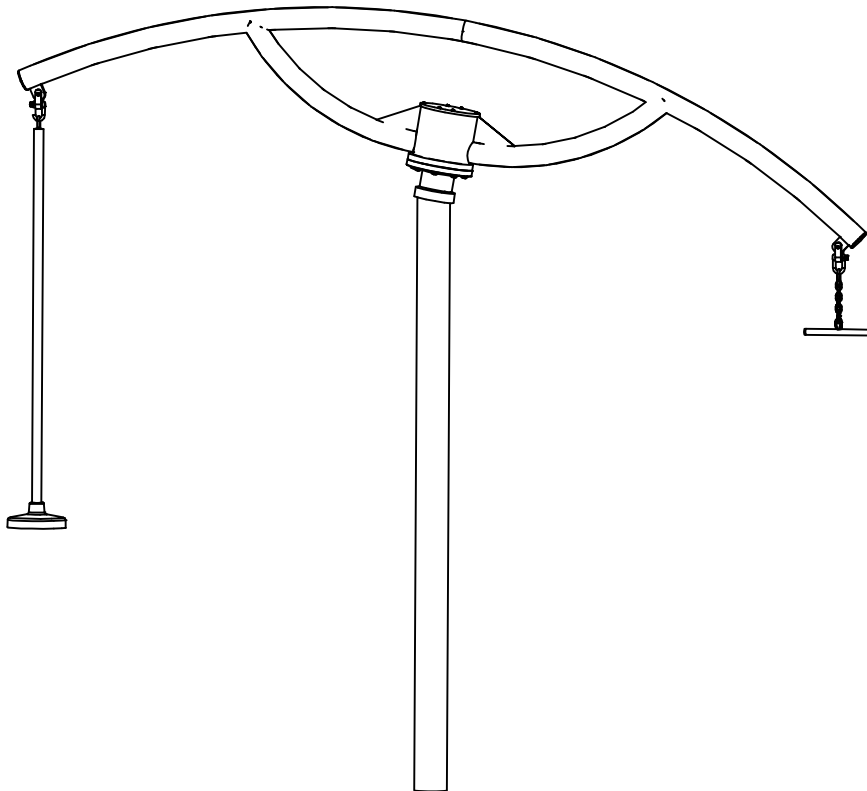
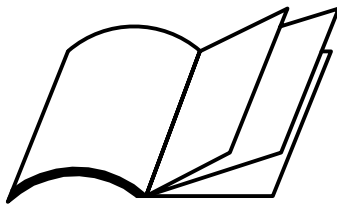


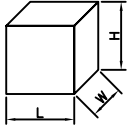
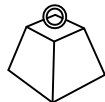
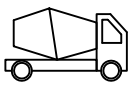
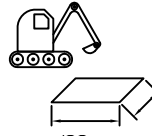
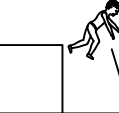

# HAGS

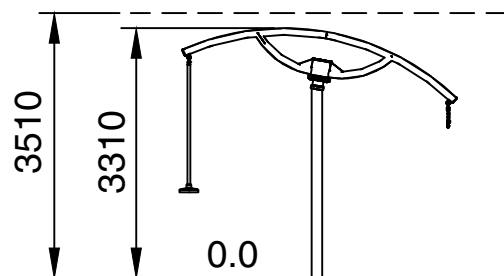
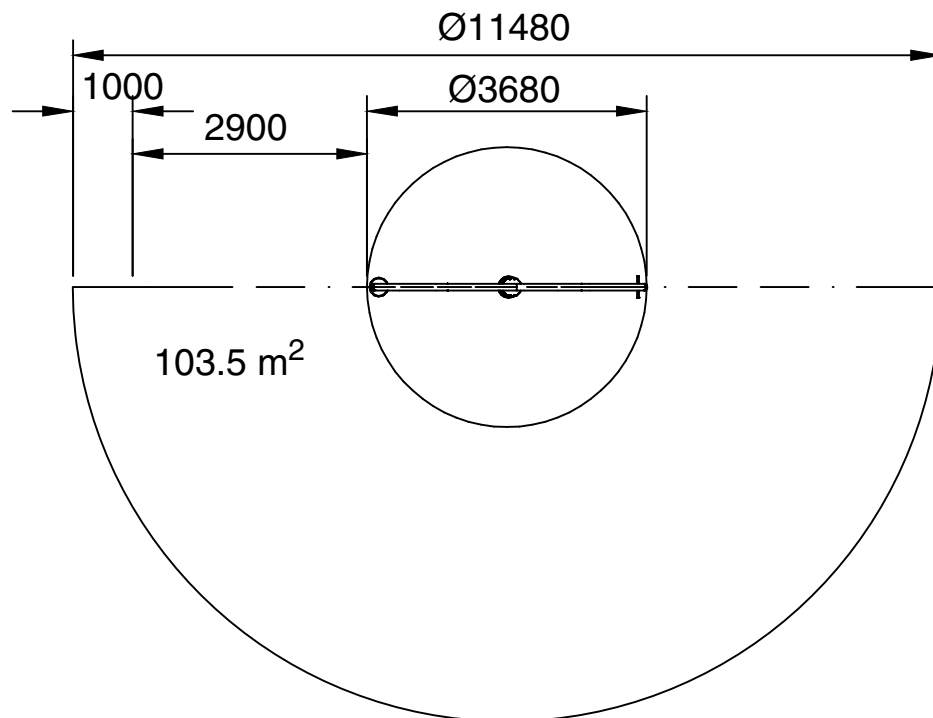
## DUEL CAR-DUE, CAR-DUE(N)

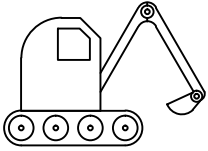




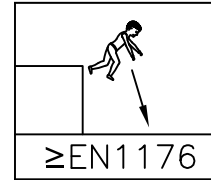
**Section 1:**

	 LxWxH (m)	 kg	 m <sup>3</sup>	 m	 ≥EN1176	 x 2 = T
<b>CAR-DUE</b>	∅3.680 x 3.31	246.0	2.05	12.00 x 12.00	1.50m	T = 28h

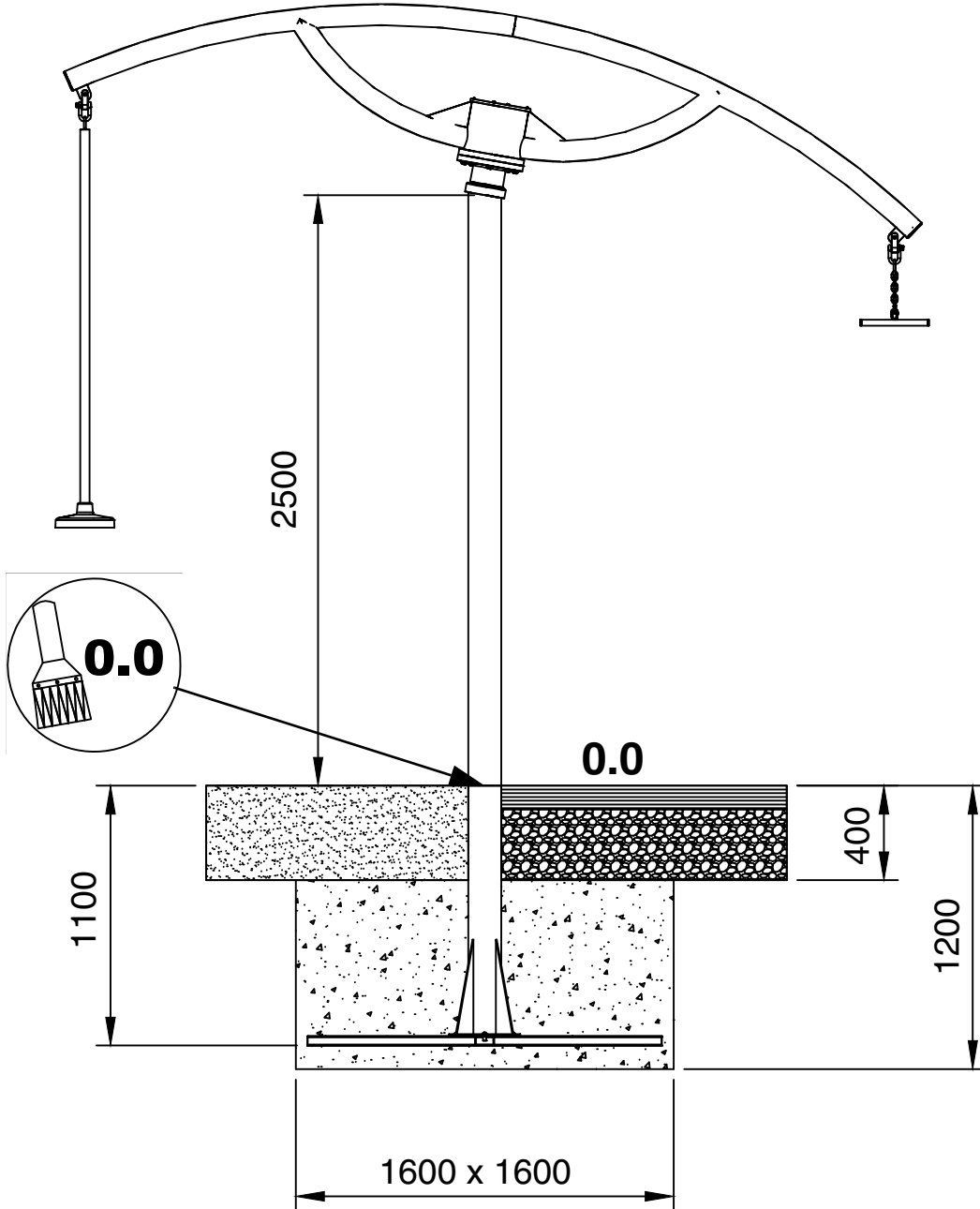


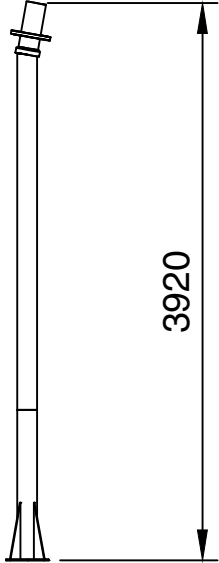
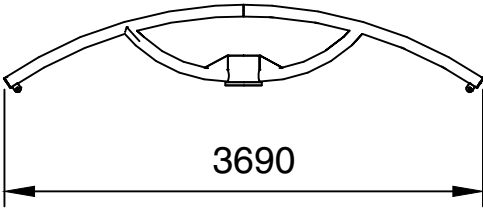
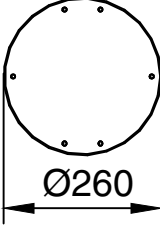
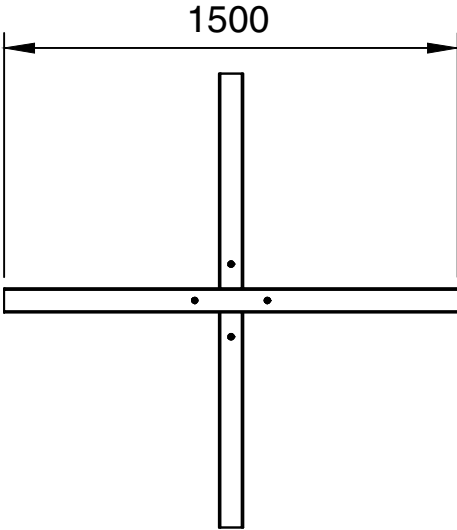


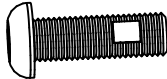
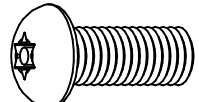
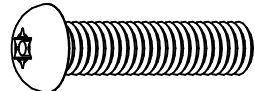
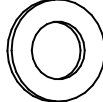
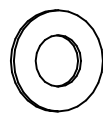
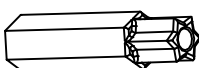
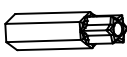
 101/144



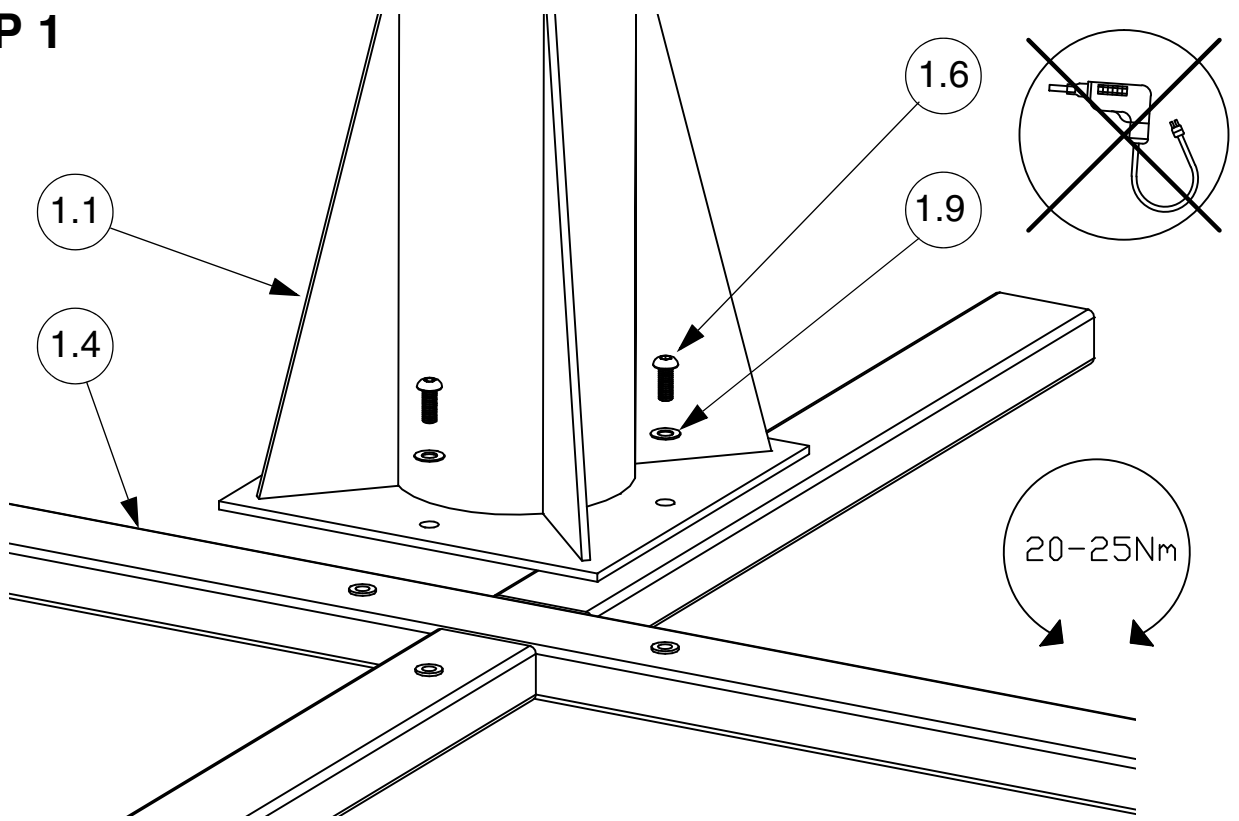
1.5 m



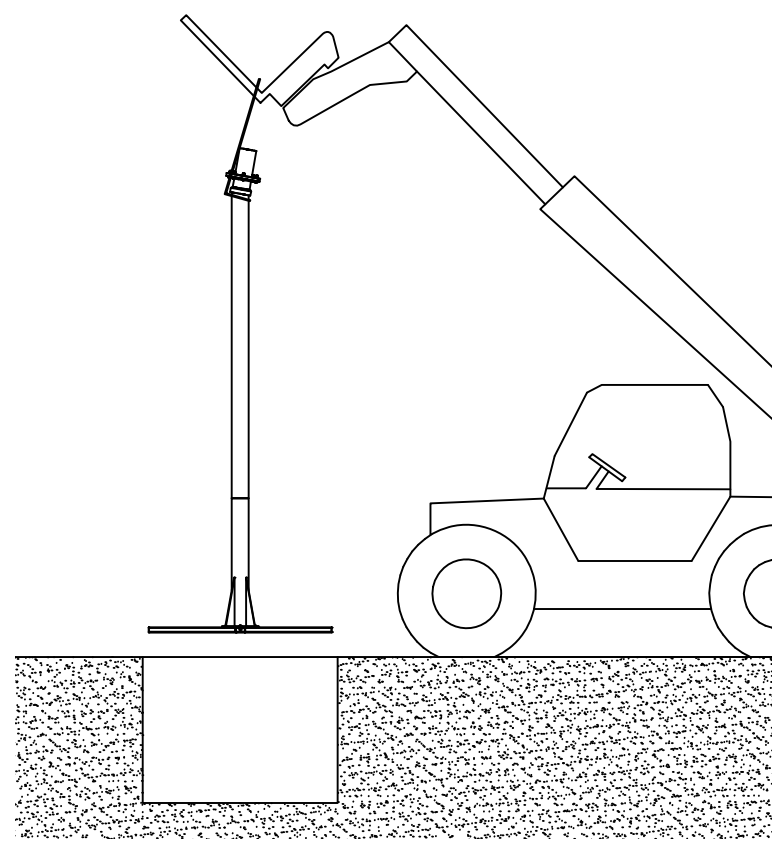
ITEM	REF	CAR-DUE/CAR-DUE(N)	QTY	kg
1.1	71200100		1	139.00
1.2	71300100		1	89.00
1.3	71300500		1	0.55
1.4	71200315		1	16.00

ITEM	REF	CAR-DUE/CAR-DUE(N)	QTY	kg
1.5	10141650	 M16 X 50	8	0.060
1.6	10121025	 M10 X 25	4	0.024
1.7	10120625	 M6 X 25	6	0.011
1.8	10291600	 M16 17X30X3	8	0.004
1.9	10291000	 M10 11X21X1	4	0.002
1.10	10290600	 M6 6.4X12.6X1	6	0.001
1.11	10121000	 T45 M10	1	-
1.12	10120600	 T30 M6	1	-

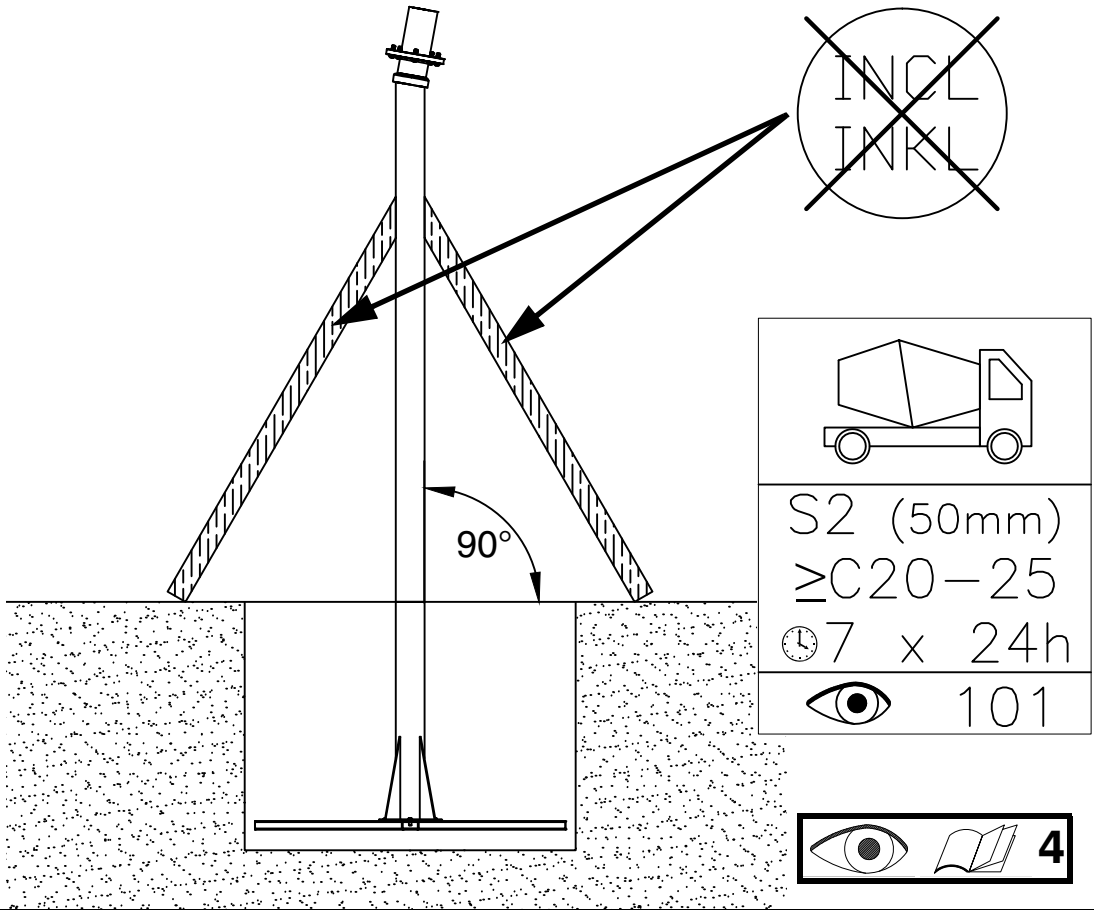
# STEP 1



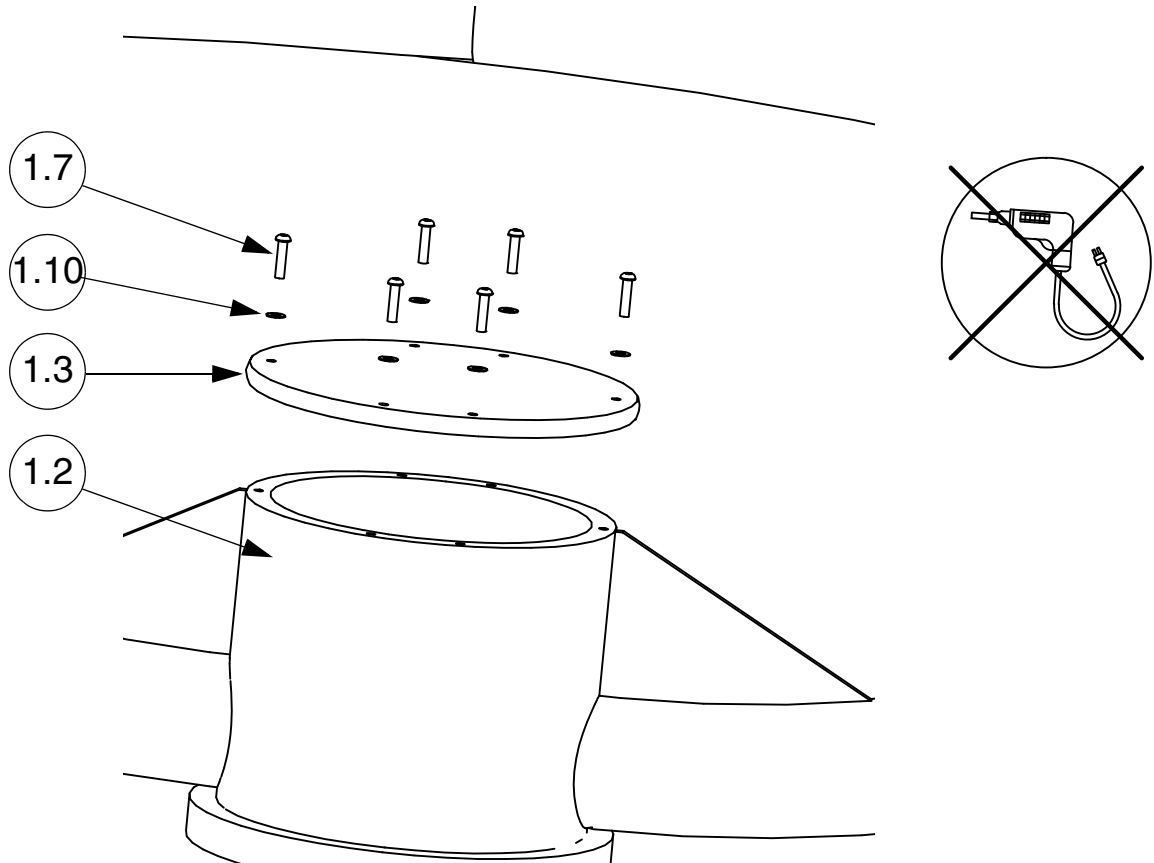
# STEP 2



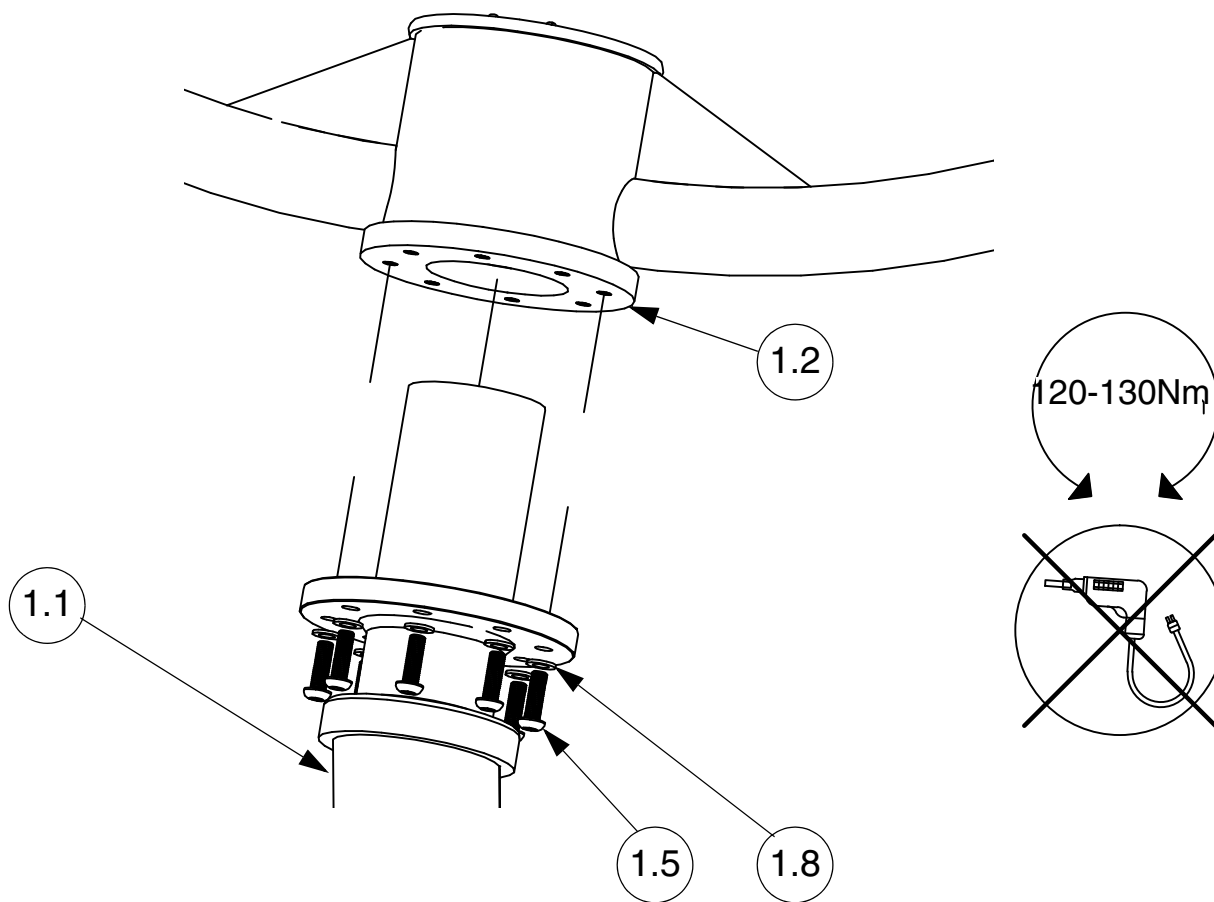
# STEP 3

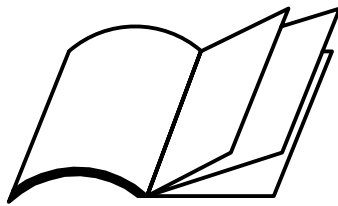


# STEP 4



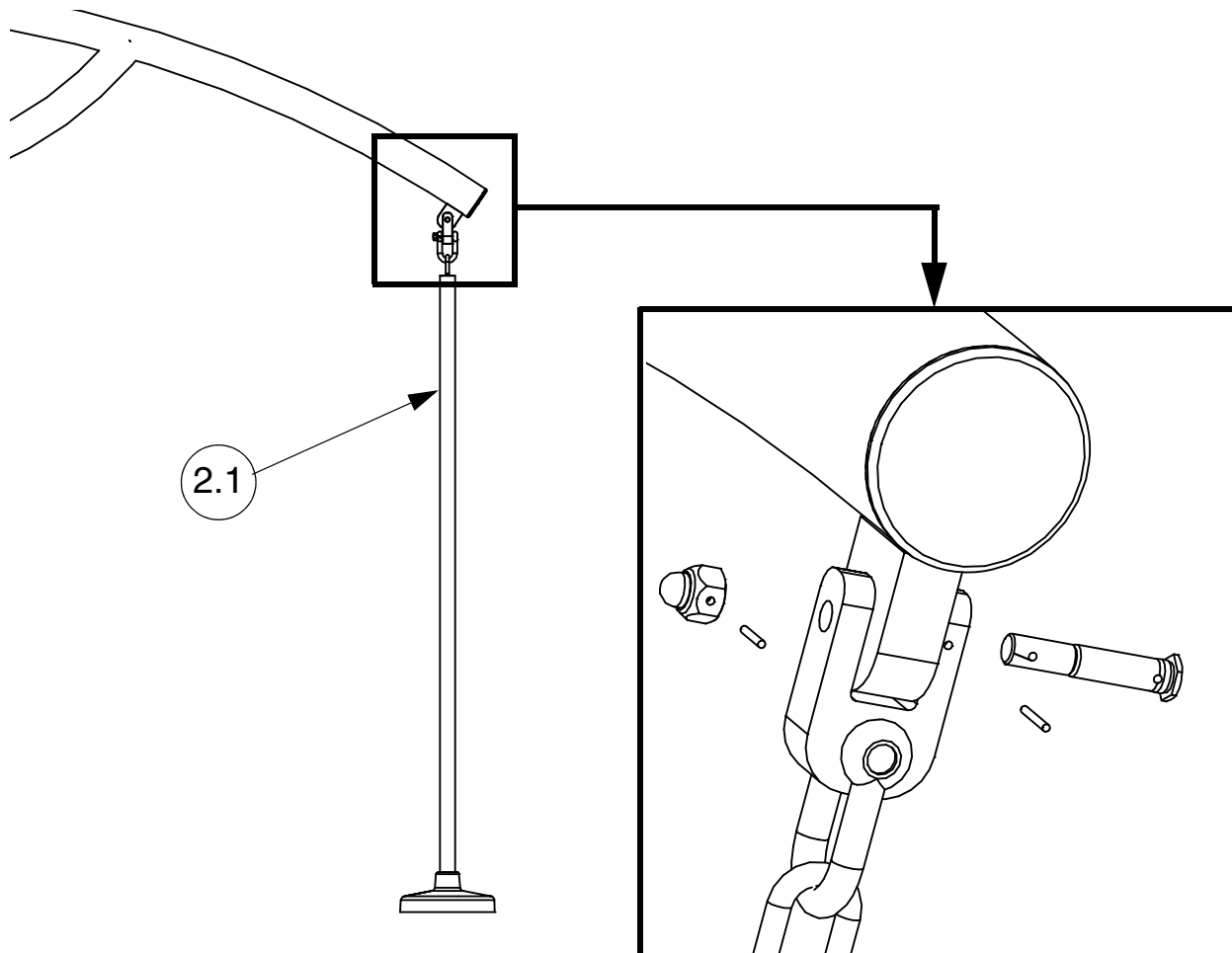
# STEP 5

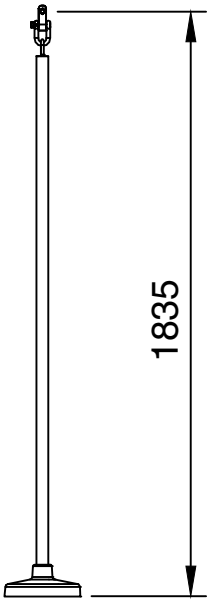


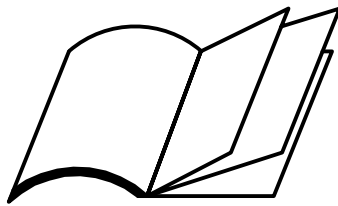


Section 2:

71240801

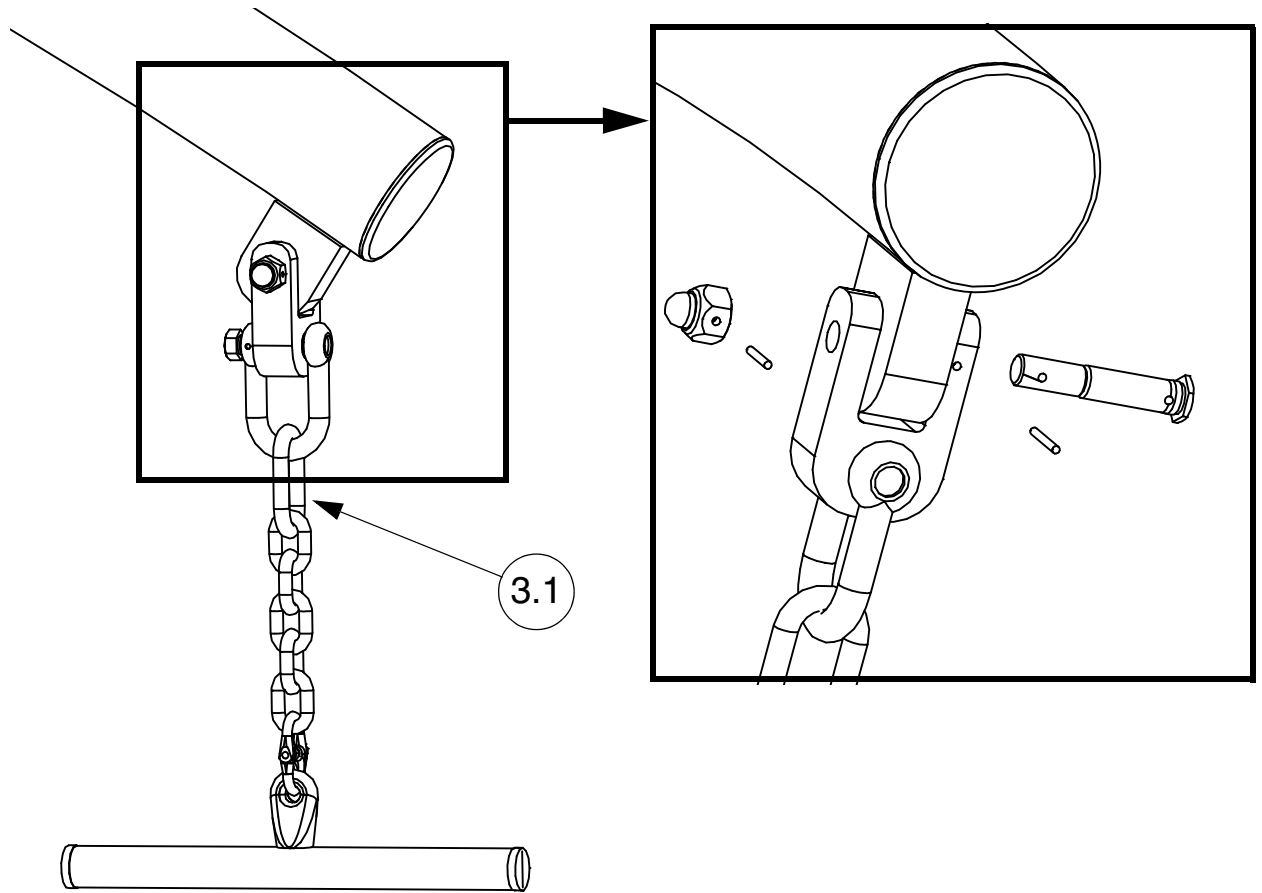


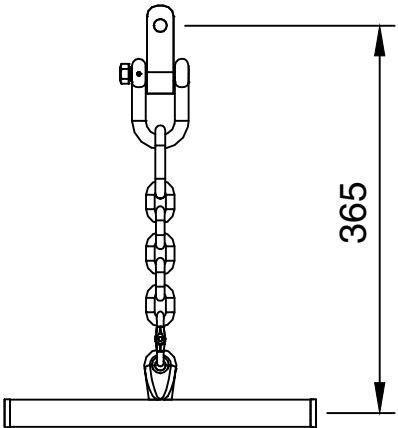
ITEM	REF		QTY	kg
2.1	71240801		1	5.25

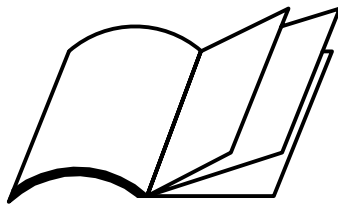


**Section 3:**

71240803

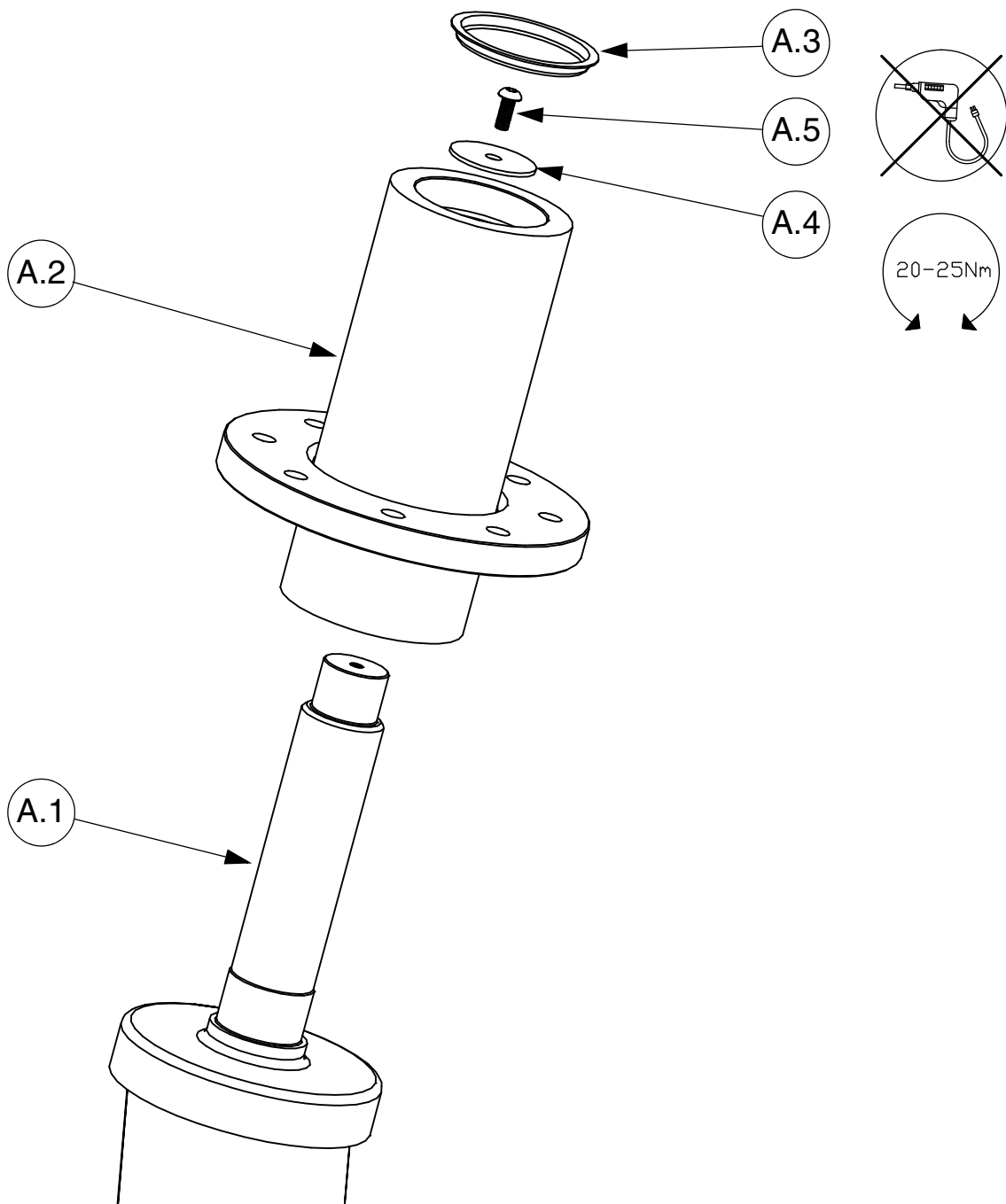


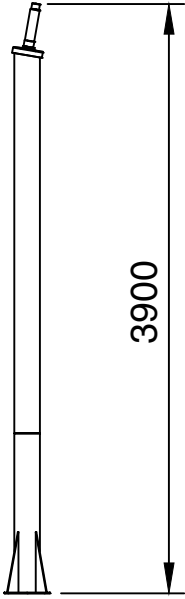
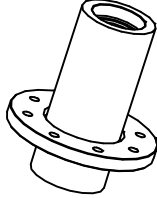

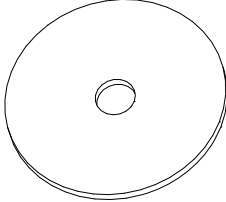
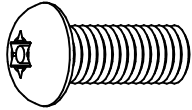
ITEM	REF		QTY	kg
3.1	71240803		1	1.25



Appendix A:

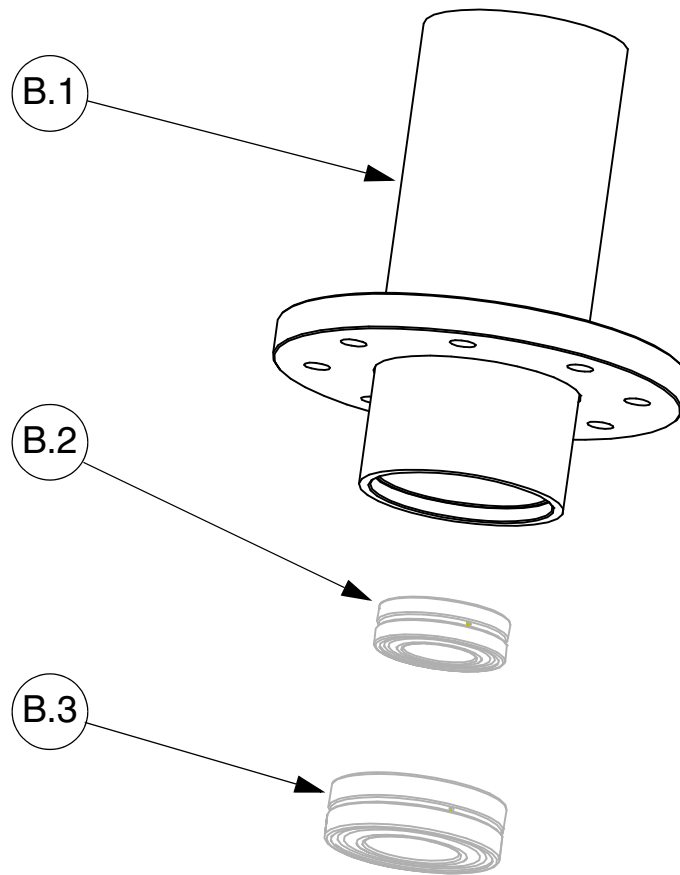
71200100



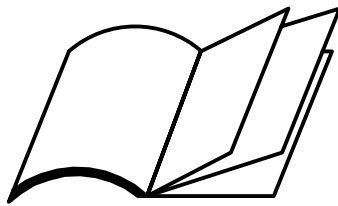
ITEM	REF	71200100	QTY	kg
A.1	71200300		1	116.00
A2	71200105		1	23.00
A.3	19055080		1	0.013
A4	71000109		1	0.08
A5	10121025	 M10 X 25	1	0.011

**Appendix B:**

**71200105**

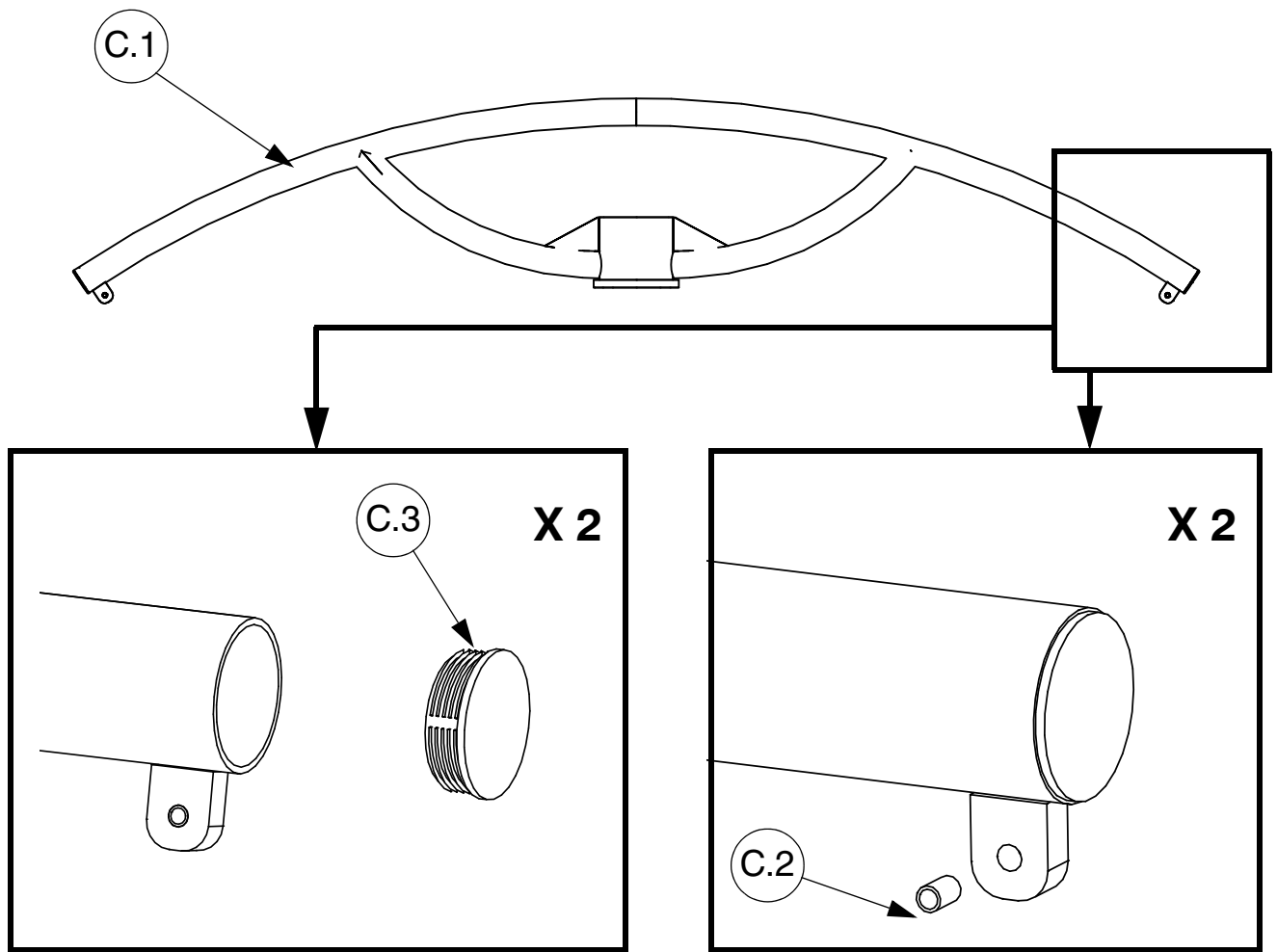


ITEM	REF	71200105	QTY	kg
B.1	71200310		1	21.00
B.2	71022210		1	0.70
B.3	71022213		1	1.60

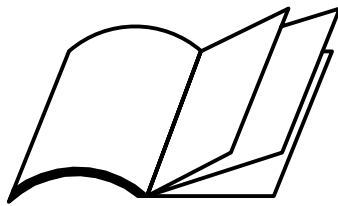


**Appendix C:**

**71300100**

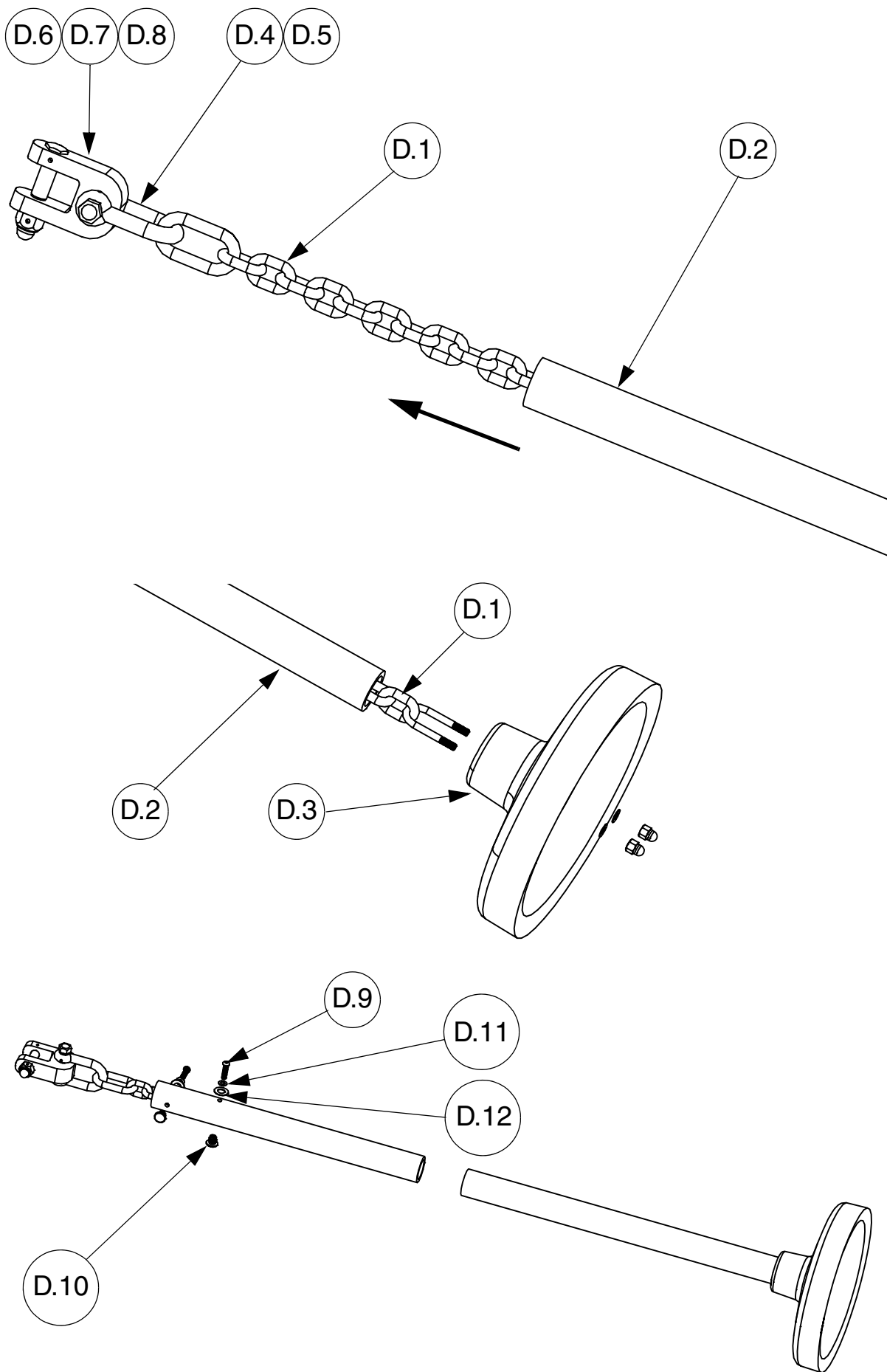


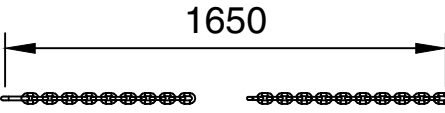
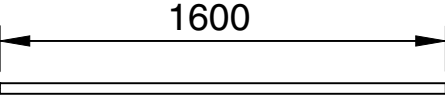
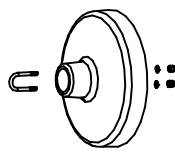
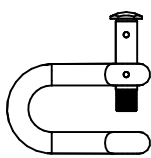

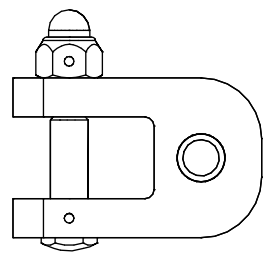



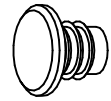
ITEM	REF	71300100	QTY	kg
C.1	71300300		1	89.00
C.2	15011612		2	0.002
C.3	19055070		2	0.052

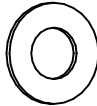
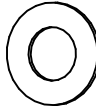


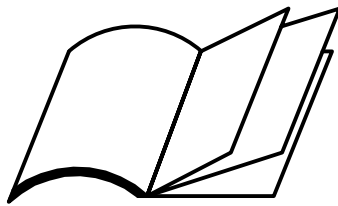
Appendix D:

71240801



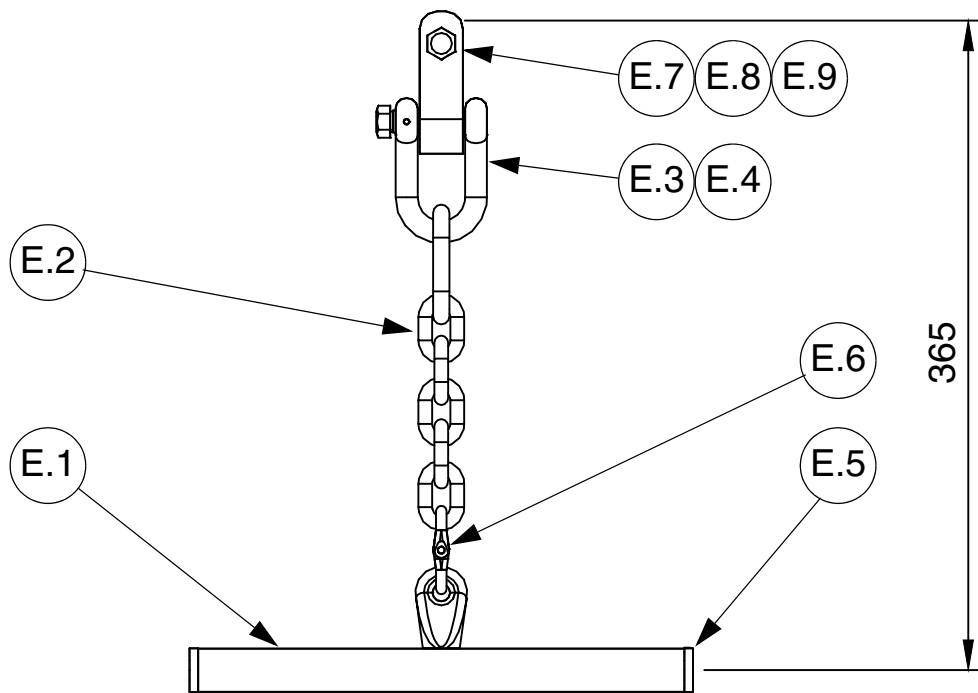
ITEM	REF	71240801	QTY	kg
D.1	71200510		1	3.75
D.2	71200515		1	1.00
D.3	109906		1	0.25
D.4	88096003		1	0.25
D.5	10310325		1	0.002
D.6	71200115		1	0.50
D.7	10310330		1	0.002
D.8	10310331		1	0.002
D.9	10120625	 <p>M6 X 25</p>	2	0.011
D.10	10930600	 <p>M6</p>	2	0.006



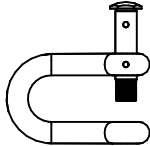


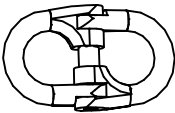
ITEM	REF	71240801	QTY	kg
D.11	10290600	 M6 6.4X12.6X1	2	0.001
D.12	10291000	 M10 11X21X1	2	0.002

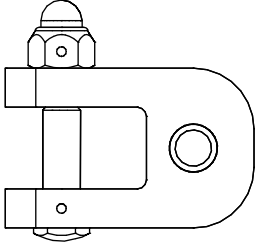




Appendix E:

71240803



ITEM	REF	71240803	QTY	kg
E.1	71200330		1	0.40
E.2	71200520		1	0.60
E.3	88096003		1	0.25
E.4	10310325		1	0.002
E.5	409118		2	0.004
E.6	15715000		1	0.100

ITEM	REF	71240803	QTY	kg
E.7	71200115		1	0.50
E.8	10310330	 <span data-bbox="997 533 1104 571">25mm</span>	1	0.002
E.9	10310331	 <span data-bbox="997 674 1104 712">20mm</span>	1	0.002