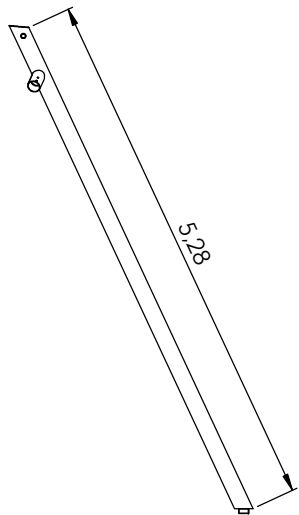
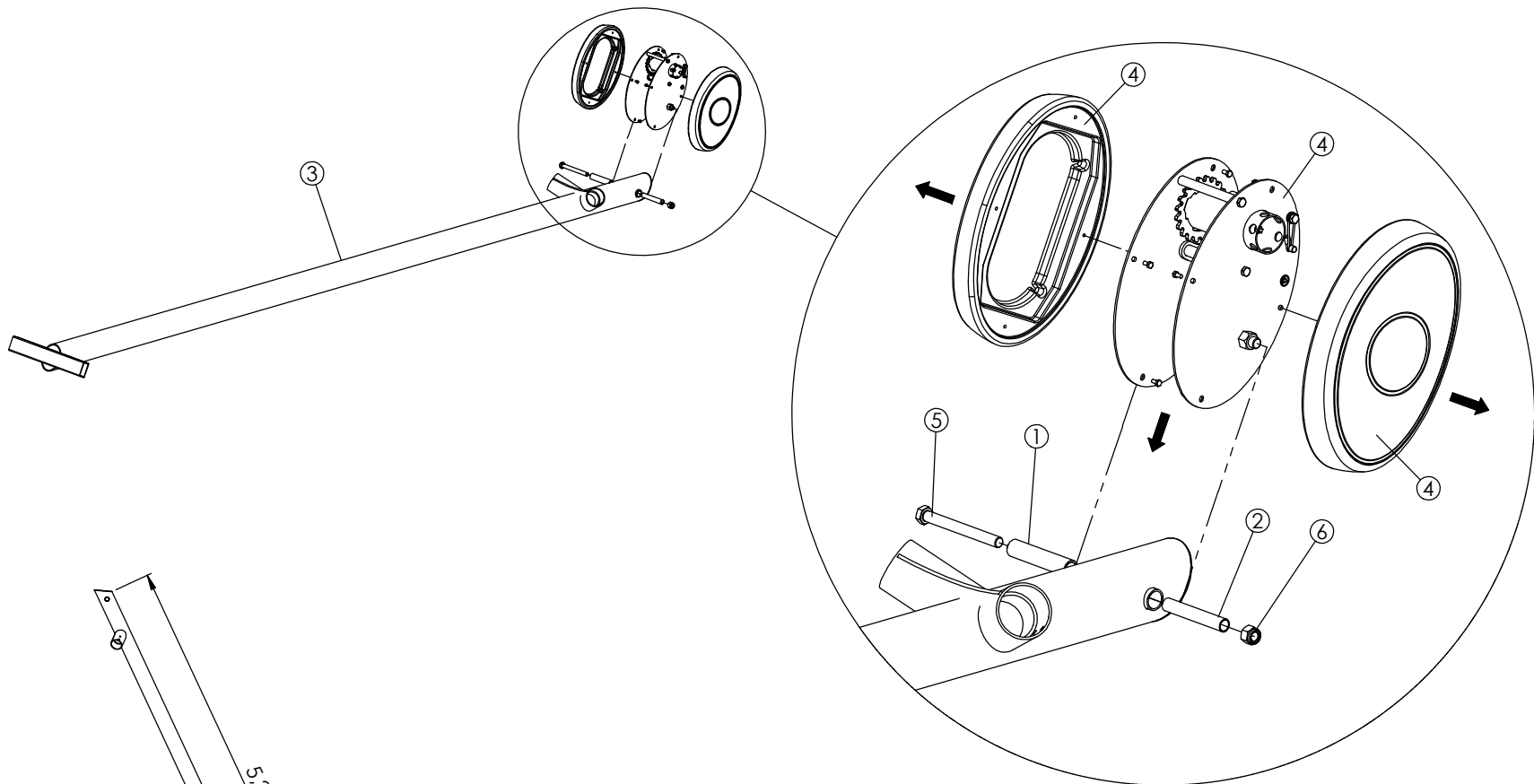
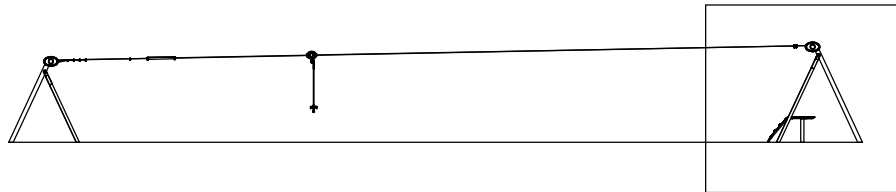


1

Step 1



NR.	Description MA	Item Number	QTY.
1	Plastic bushing Ø40	8035301	1
2	Spacer Ø20	8036066	1
3	Start main post 5,28 m	8037572	1
4	Tensionhead	8035720	1
5	M6S 8.8 M24x240	8035682	1
6	M6M M24	8035683	1

**HAGS** HAGS Aneby AB, Box 133, SE-578 23 Aneby, Sweden, Tel: +46 380 473 00, <http://www.hags.com>

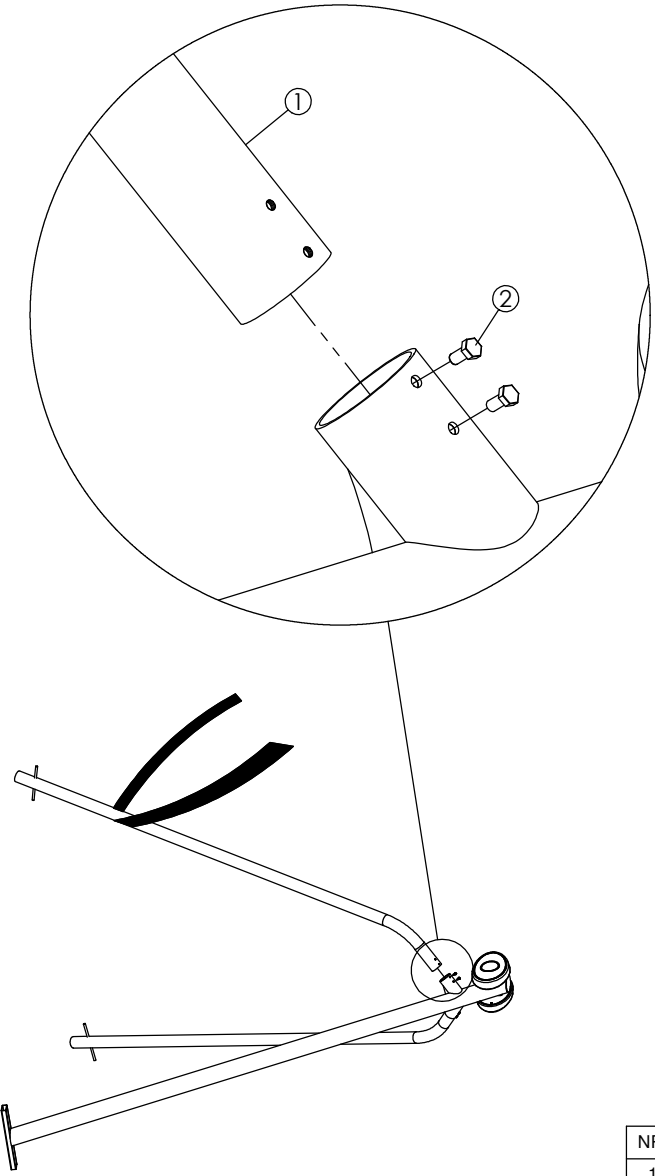
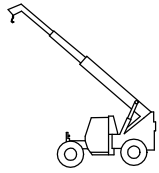
**Heads & legs**

**MASW26162**

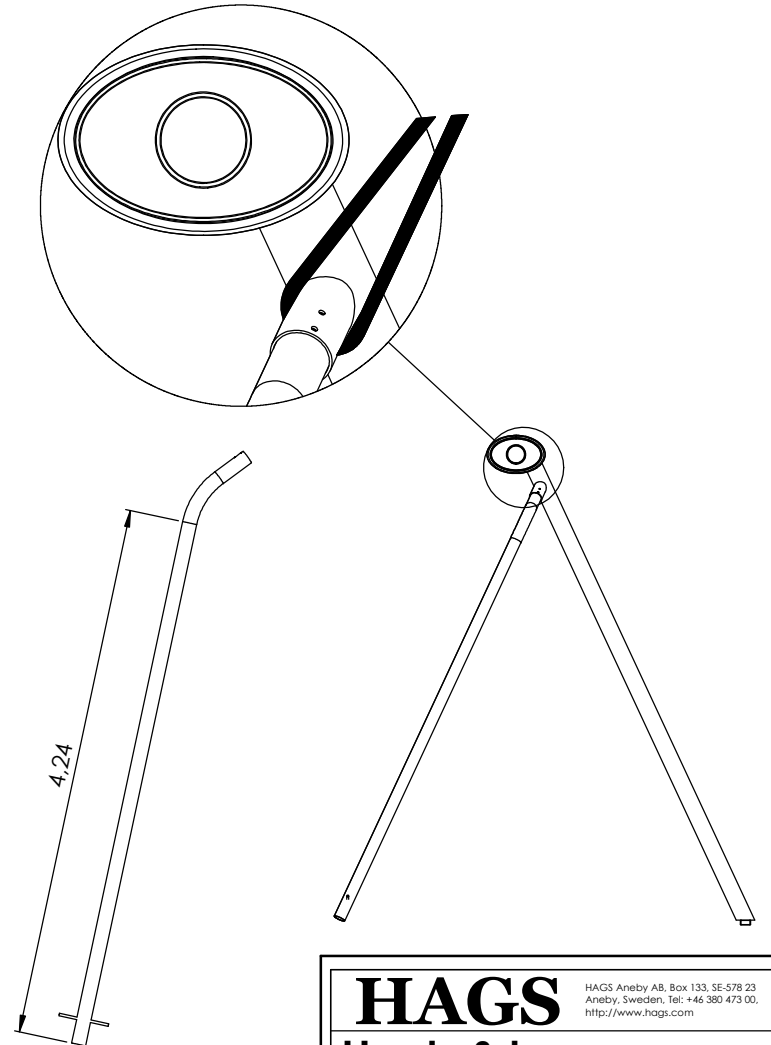
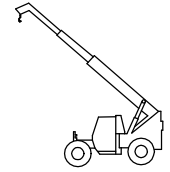
1 ( 11 )

DN ToB 2017-08-30 9

2



3



NR.	Description MA	Item Number	QTY.
1	Start bracing leg 4,24 m	8037570	2
2	M6S M12x25 mm	8008409	4

**HAGS** HAGS Aneby AB, Box 133, SE-578 23 Aneby, Sweden, Tel: +46 380 473 00, <http://www.hags.com>

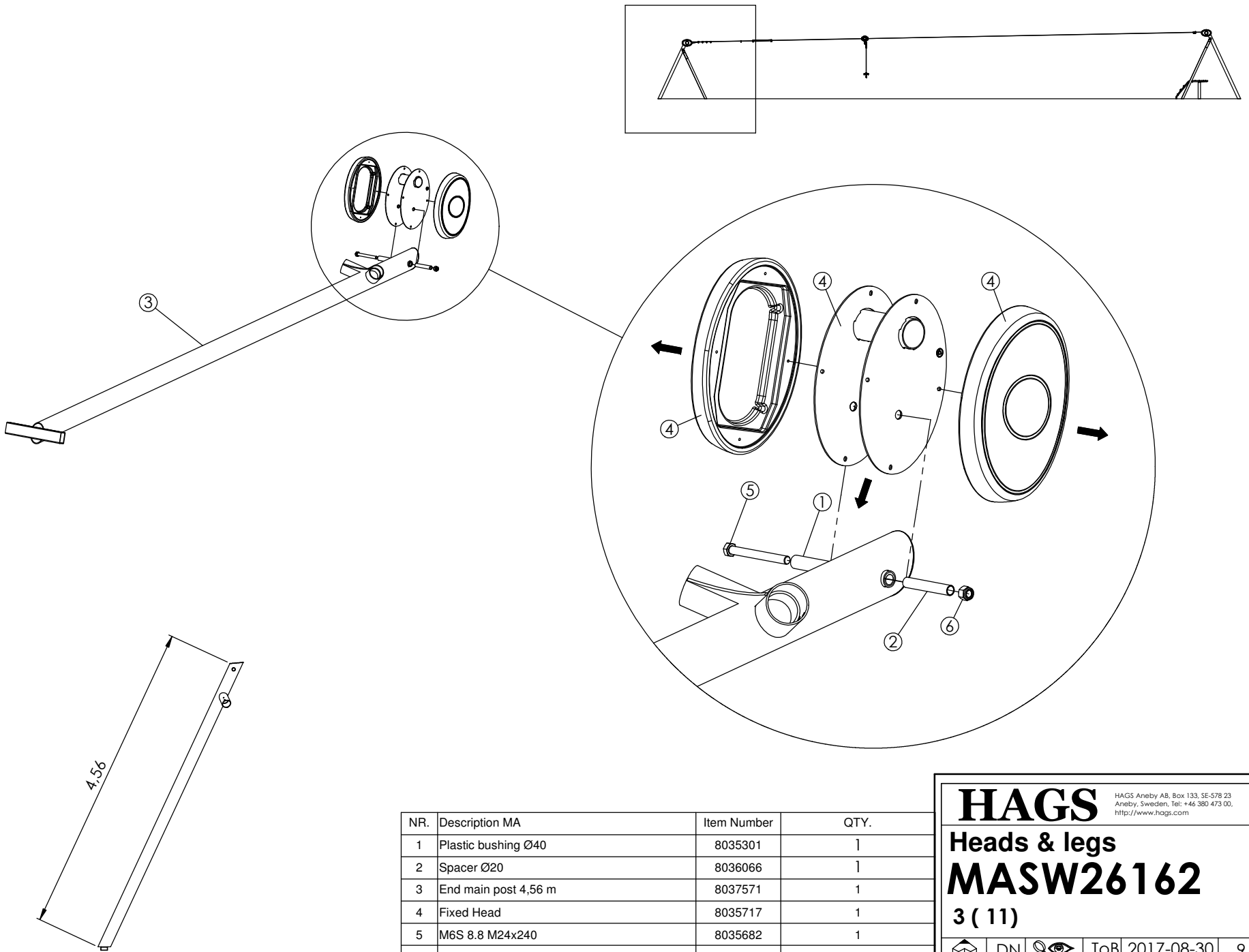
**Heads & legs**

**MASW26162**

**2 ( 11 )**

DN ToB 2017-08-30 9

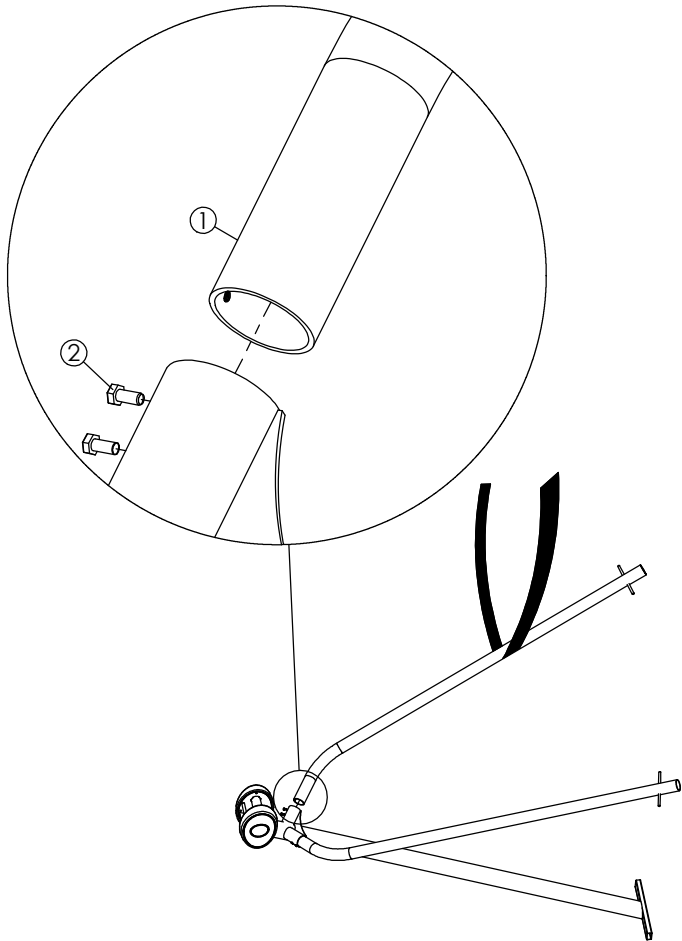
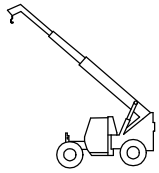
4



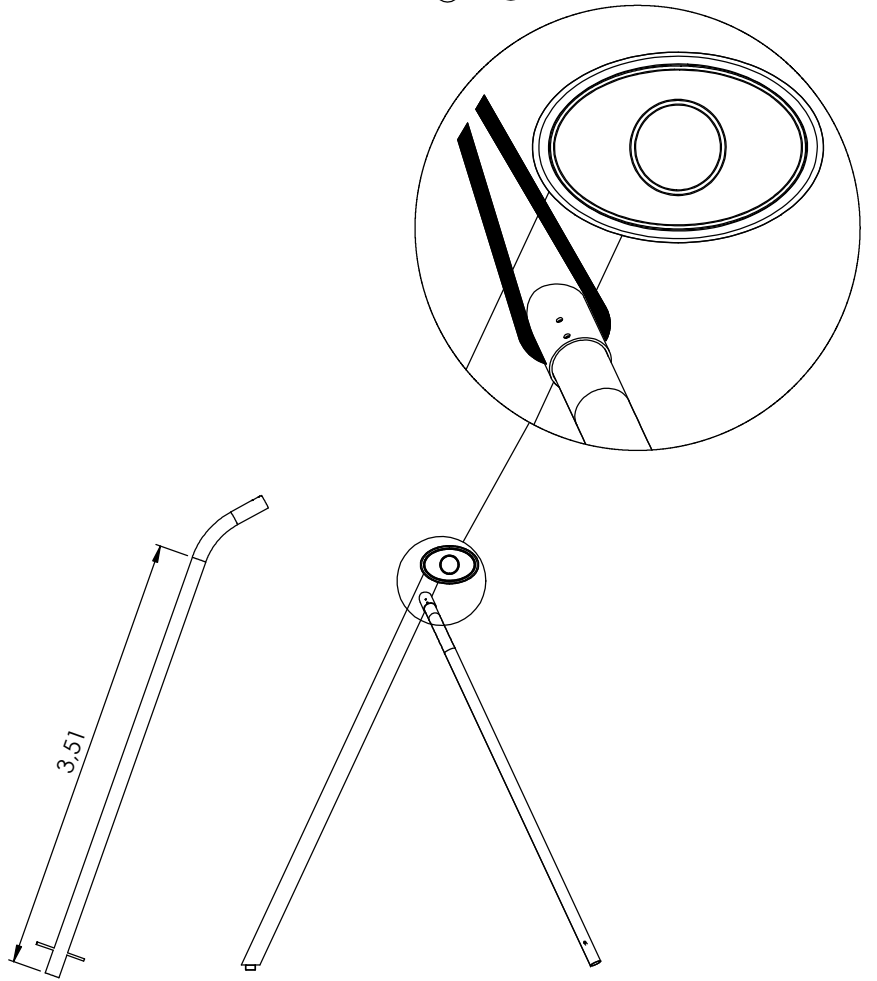
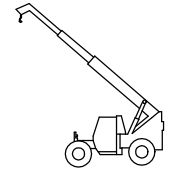
NR.	Description MA	Item Number	QTY.
1	Plastic bushing Ø40	8035301	1
2	Spacer Ø20	8036066	1
3	End main post 4,56 m	8037571	1
4	Fixed Head	8035717	1
5	M6S 8.8 M24x240	8035682	1
6	M6M M24	8035683	1

<b>HAGS</b>					<small>HAGS Aneby AB, Box 133, SE-578 23 Aneby, Sweden, Tel: +46 380 473 00, <a href="http://www.hags.com">http://www.hags.com</a></small>	
<b>Heads &amp; legs</b>						
<b>MASW26162</b>						
<b>3 ( 11)</b>						
	DN		ToB	2017-08-30	9	

5



6



NR.	Description MA	Item Number	QTY.
1	End bracing leg 3,51 m	8037569	2
2	M6S M12x25 mm	8008409	4

**HAGS** HAGS Aneby AB, Box 133, SE-578 23 Aneby, Sweden, Tel: +46 380 473 00, <http://www.hags.com>

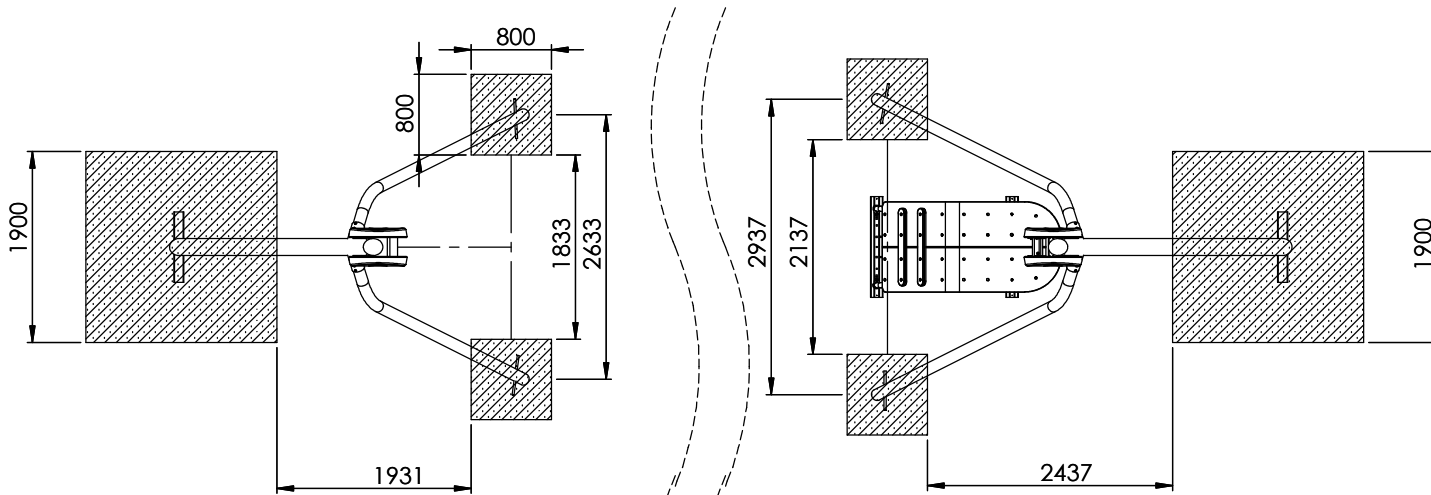
**Heads & legs**

**MASW26162**

**4 ( 11 )**

DN ToB 2017-08-30 9

7





 **144**  
TYPE 2  
BARK

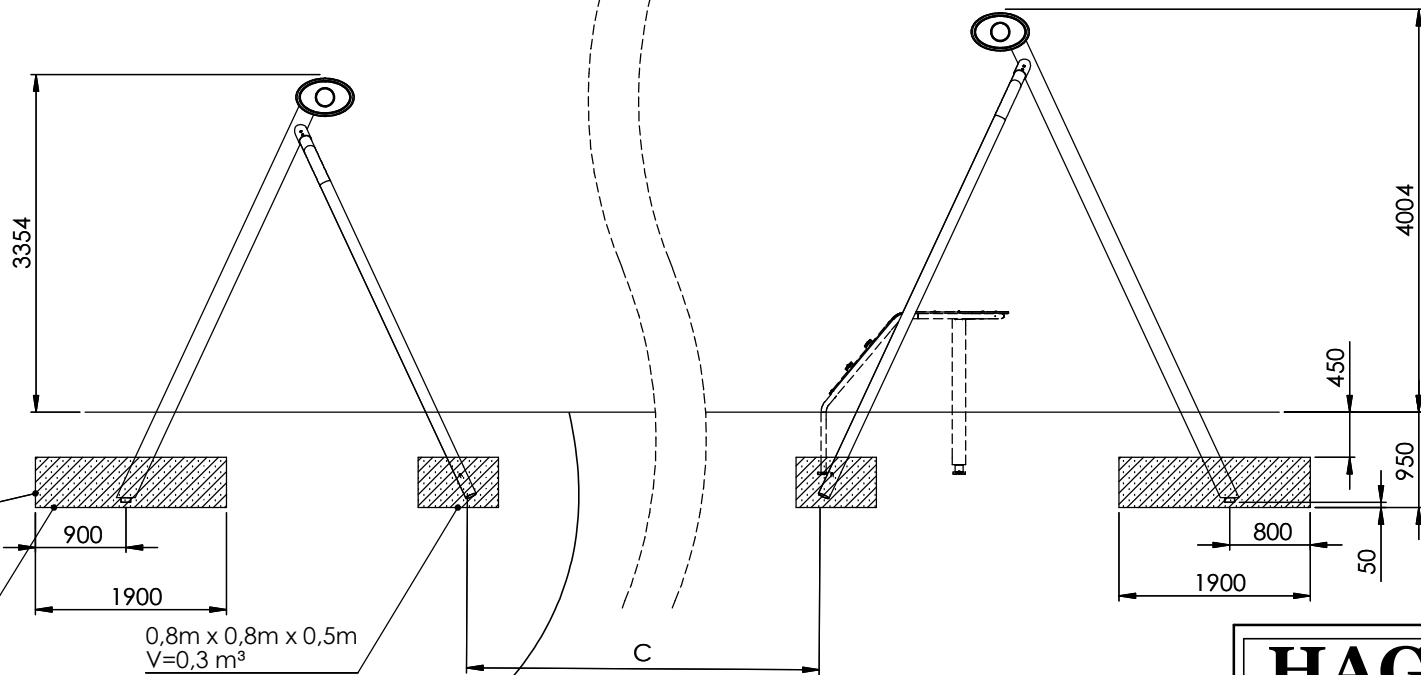
 **144**  
TYPE 1  
SAND

 Appendix A



 **144**  
TYPE 3  
SYNTHETIC

4x24h !  
  
 ≥C20/25  
 S1-S3  
 101

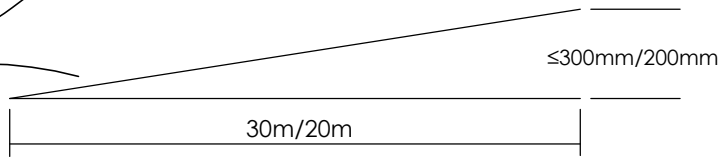


1,90m x 1,90m x 0,5m  
 V=1,8 m<sup>3</sup>



0,8m x 0,8m x 0,5m  
 V=0,3 m<sup>3</sup>



Option	30m	20m
C	27,08	17,18
Ground	0,00-0,30	0,00-0,20



**HAGS**  
 Heads & legs  
**MASW26162**  
 5 ( 11 )  
 HAGS Aneby AB, Box 133, SE-578 23  
 Aneby, Sweden, Tel: +46 380 473 00,  
 http://www.hags.com


 DN  ToB 2017-08-30 | 9

8

Go to

**Step 2**

 MASW26997

 MASW26966

9

Go to


**Step 3** & **Step 4**


 MASW26113

10

Go to

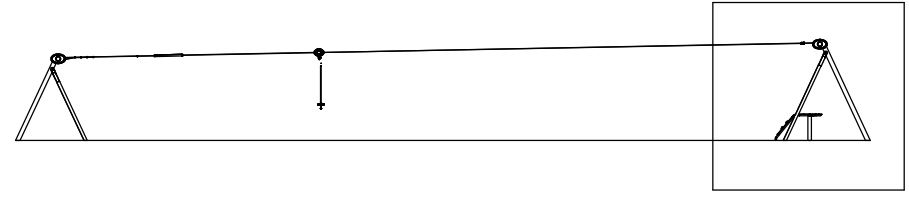
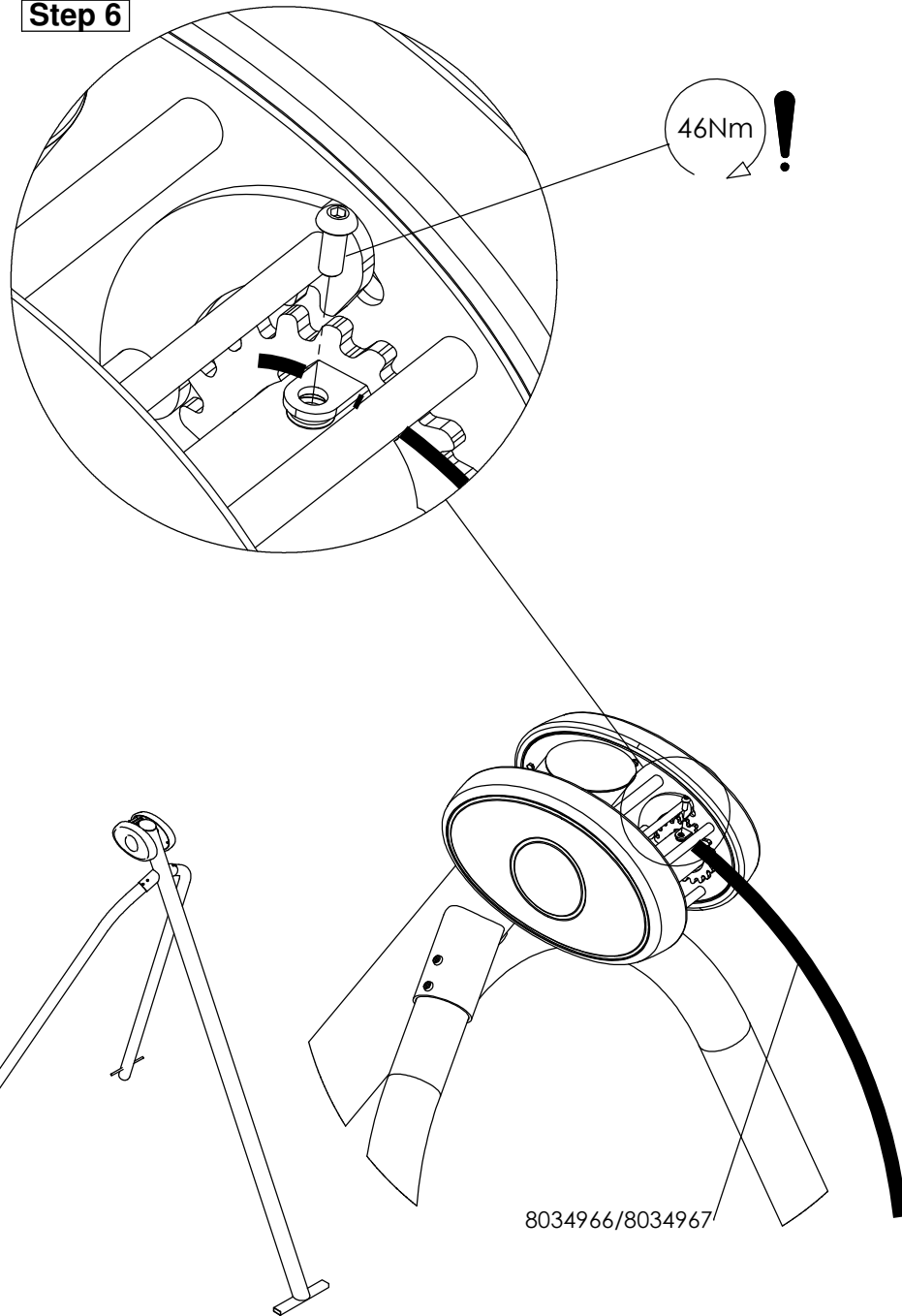
**Step 5**

 MASW25209

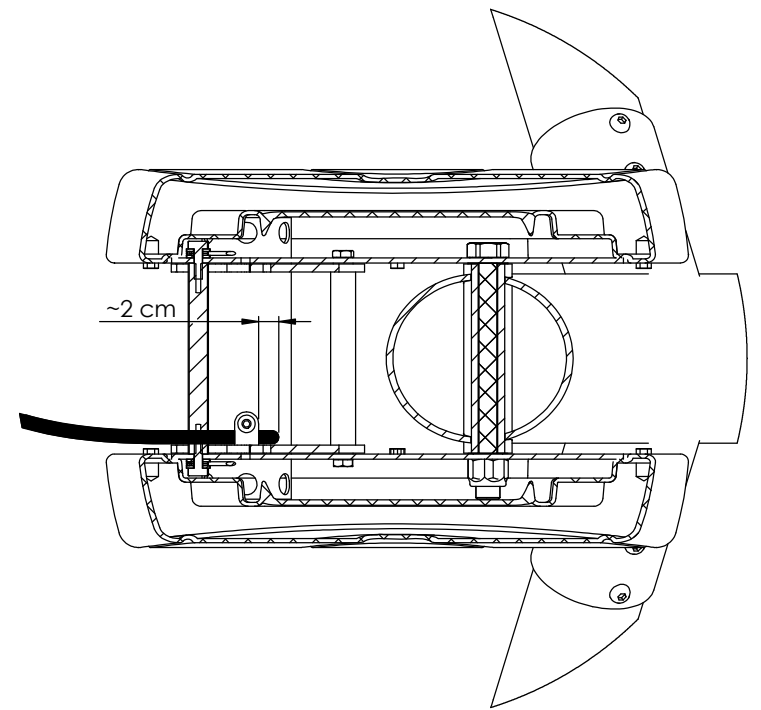
<b>HAGS</b>					<small>HAGS Aneby AB, Box 133, SE-578 23 Aneby, Sweden, Tel: +46 380 473 00. <a href="http://www.hags.com">http://www.hags.com</a></small>	
<b>Heads &amp; legs</b>						
<b>MASW26162</b>						
6 ( 11)						
	DN		ToB	2017-08-30	9	

11

Step 6

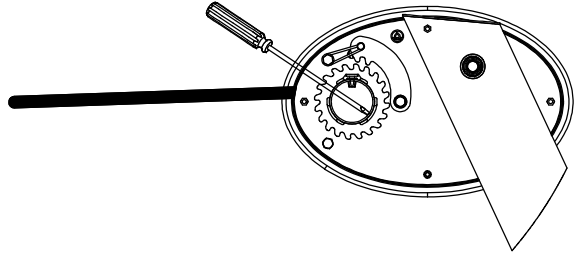


12

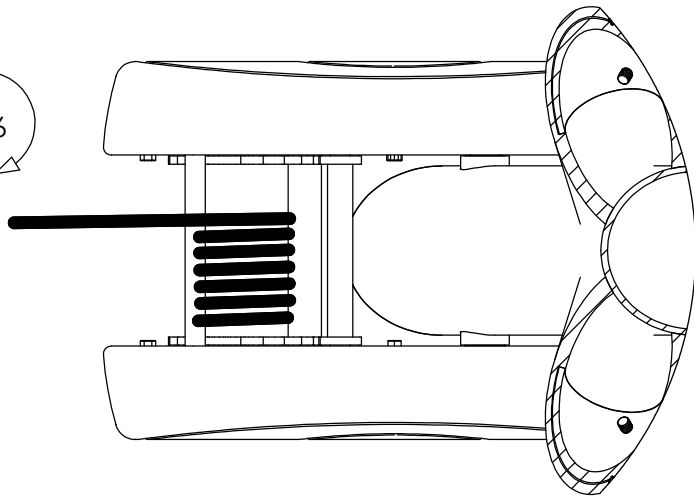


<b>HAGS</b>		<small>HAGS Aneby AB, Box 133, SE-578 23 Aneby, Sweden, Tel: +46 380 473 00, <a href="http://www.hags.com">http://www.hags.com</a></small>	
<b>Heads &amp; legs</b>			
<b>MASW26162</b>			
7 ( 11 )			
	DN		ToB 2017-08-30 9

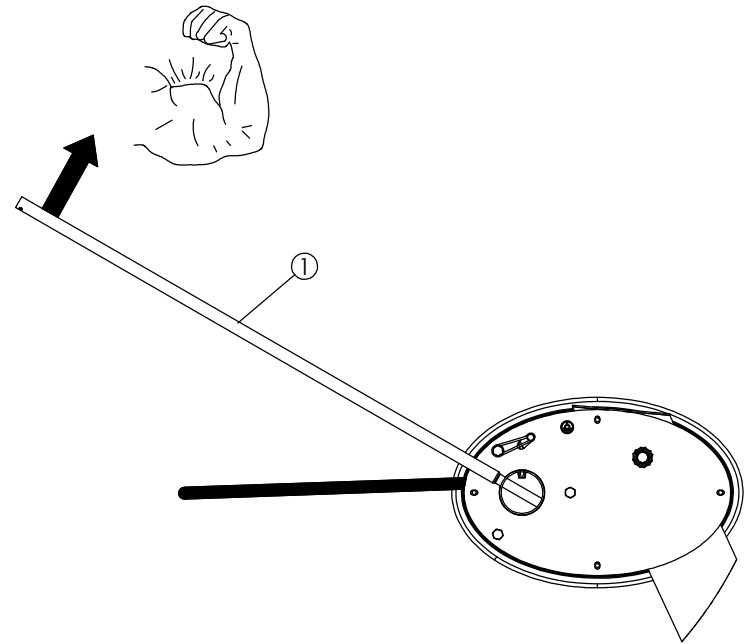
13



>x6

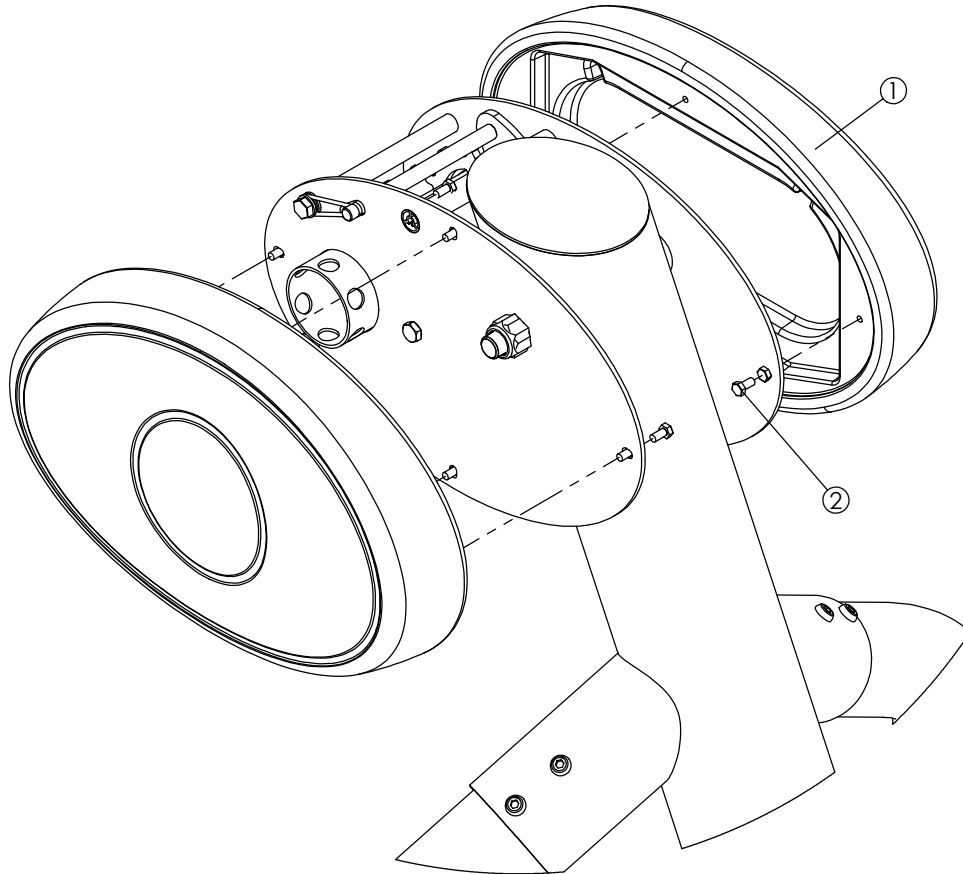
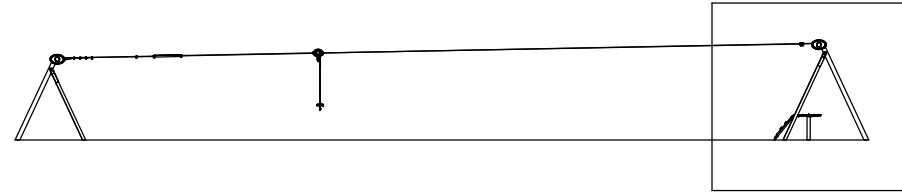


14



NR.	Description MA	Item Number	QTY.
1	Tension Tool		1

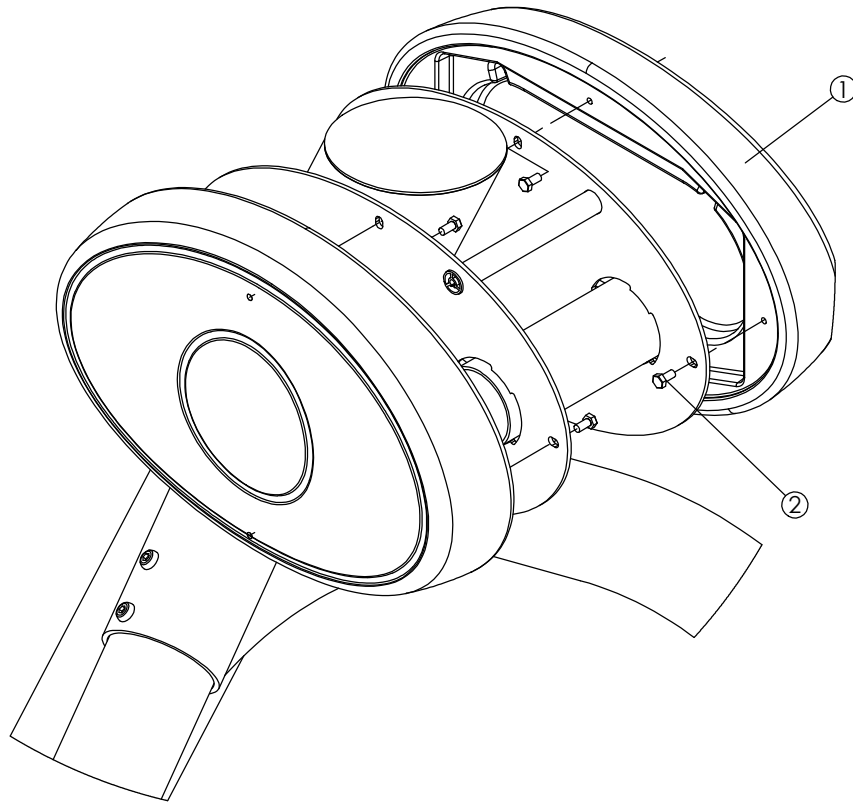
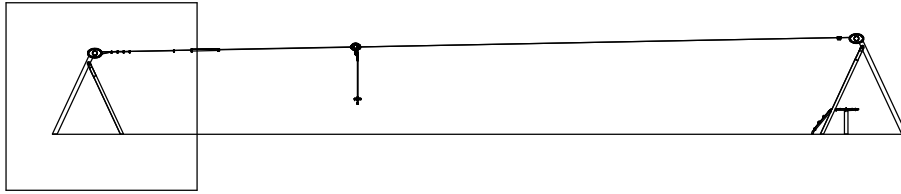
<b>HAGS</b>					<small>HAGS Aneby AB, Box 133, SE-578 23 Aneby, Sweden, Tel: +46 380 473 00, <a href="http://www.hags.com">http://www.hags.com</a></small>	
<b>Heads &amp; legs</b>						
<b>MASW26162</b>						
<b>8 ( 11)</b>						
	DN		ToB	2017-08-30	9	



NR.	Description MA	Item Number	QTY.
1	Cover	8035527	4
2	M6S M8x16 mm	8008340 (302154)	16


<b>HAGS</b>		<small>HAGS Aneby AB, Box 133, SE-578 23 Aneby, Sweden, Tel: +46 380 473 00, <a href="http://www.hags.com">http://www.hags.com</a></small>	
<b>Heads &amp; legs</b>			
<b>MASW26162</b>			
<b>9 ( 11 )</b>			
	DN		ToB 2017-08-30 9

16



17

Go to Step 7

 MASW27796

NR.	Description MA	Item Number	QTY.
1	Cover	8035527	4
2	M6S M8x16 mm	8008340 (302154)	16

**HAGS** HAGS Aneby AB, Box 133, SE-578 23  
Aneby, Sweden, Tel: +46 380 473 00.  
<http://www.hags.com>

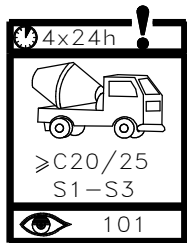
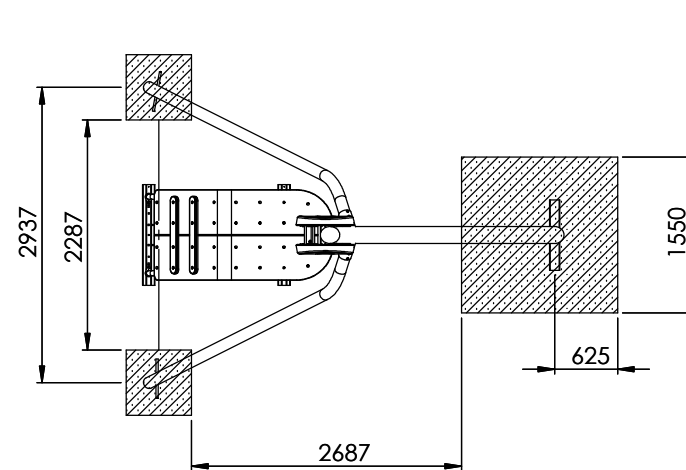
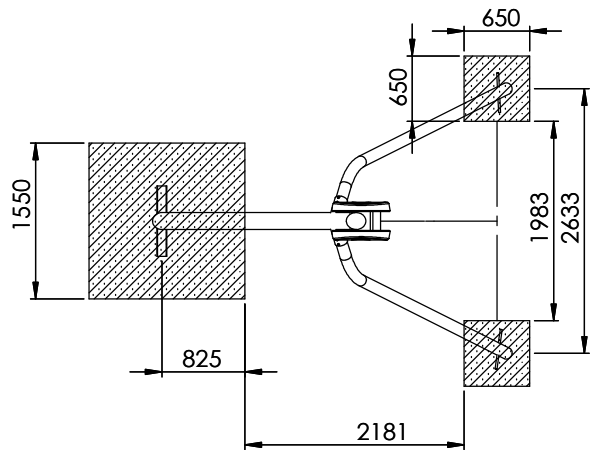
**Heads & legs**

**MASW26162**

**10 ( 11 )**

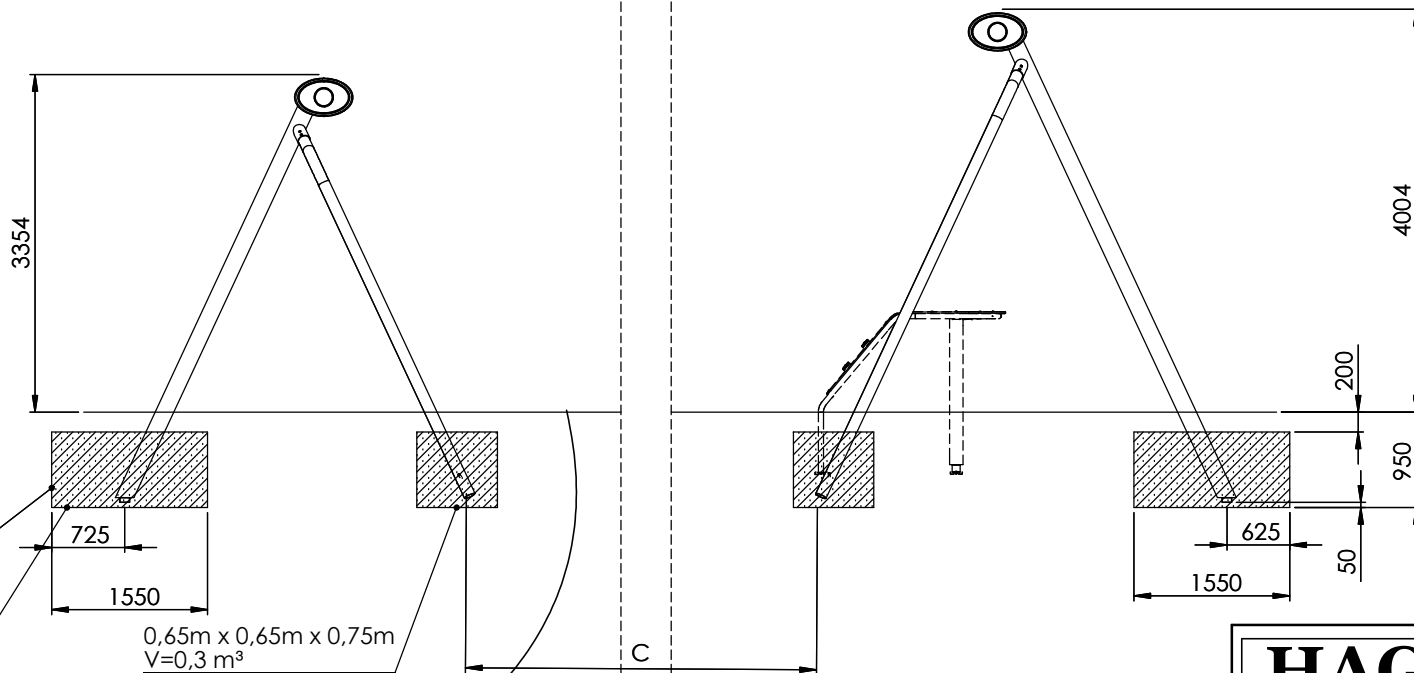
 DN  ToB 2017-08-30 9

7

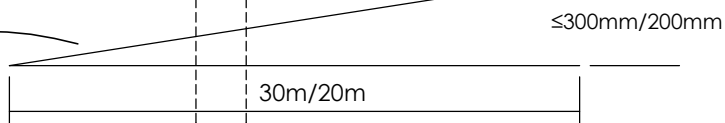


1,55m x 1,55m x 0,75m  
V=1,8 m<sup>3</sup>

0,65m x 0,65m x 0,75m  
V=0,3 m<sup>3</sup>



Option	30m	20m
C	27,08	17,18
Ground	0,00-0,30	0,00-0,20



**HAGS** HAGS Aneby AB, Box 133, SE-578 23 Aneby, Sweden, Tel: +46 380 473 00, http://www.hags.com

**Heads & legs**

**MASW26162**

11 ( 11 )

DN ToB 2017-08-30 9